



INNOVATION
ADVANCING
SYSTEMS

Life
made
easy





100%

Made in Comunello

Made in Italy



A company with more than 50 years of manufacturing experience, a clear international vision based on the quality of our design, our groundbreaking technology, the solidity of our production, and our commitment to technical service and customer care.

The Comunello Group is built on a solid, reliable, well-structured manufacturing base. The group comprises 5 divisions in which all the products of each division are 100% designed and produced at company headquarters in Italy. This total control over manufacturing processes guarantees the highest levels of quality. Comunello was founded in 1965 and today exports to more than 110 countries worldwide.





Opening systems	10
Sliding Doors Hardware	34
Rising Hinges	42
Albatros Bi-folding System	50
Swing Gates Hardware	58
Ranger Telescopic System	84
Sliding Gates Locks, Guide rollers and Racks	102
Sliding Gates Rails	112
Sliding Gates Wheels	116
Hinges for metal frames	126
Bolts and other accessories	142
Integrator Cantilever System with internal rack	158
Bullet mono-carriage Cantilever System	166
Cantilever Gates Hardware	182
Folding Doors accessories	198
Stainless Steel Hardware	212

HEXT

[176](#)

Pull handles	226
Door handles	237
Fixing systems	240

A huge
range of
the finest
products.

The Comunello **Gate Division** has built a reputation **in Italy and across the world** for providing the widest range of components for sliding gates and industrial doors of all weights and all sizes. Our vast range of solutions and use of high quality materials including stainless steel and aluminium bring real value to a product offering which is truly unique and which delivers solutions for **all gate types**, whatever the size.

 **COMUNELLO****GATE**





The Rising Hinges opening system

PATENT
PENDING



- *Opening system with inclined doors for sloping passages*
- *Adjustable leaf inclination*
- *For steel or aluminum leaves up to 3 meters*
- *Maximum slope up to 10 ° (~20%)*
- *To be welded or to be fixed versions available*



Runaway stop



- | |
|--------|
| ART. |
| 201 |
| 202 |
| 202F-A |
| 202F-C |

RISING HINGES is an innovative hinge system designed and developed for gates with sloping openings. Thanks to suitably designed levers, the hinges allow an inclined

opening of the door. The alignment of the rotation axes of the upper and lower hinges is guaranteed by the ball joints complete with greasers for constant lubrication.



Stops



ART.

166

169

170

170i

171

Rising Hinges Kit



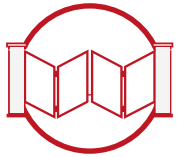
ART.

RS-ST

RS-AL

RS-100F





The Albatros bi-folding gate system

PATENT
PENDING



- Bi-folding wide opening swing gate system
- For double gates up to 16 metres wide
- Geared hinges for smooth opening
- Fold system occupies minimal space for opening and closing
- Trackless obstacle free entranceway



Connecting tube



ART.
ABS-10-P
ABS-10-G

Albatros Kit elemets



ART.
ABS-100-P
ABS-100-G

Strike plate



ART.
ABS-15-P
ABS-15-G
ABS-16-G

With its patented revolutionary geared hinge the Albatros system offers a stable smooth opening for the biggest of bi-folding systems. This high quality precise system remains totally suspended and therefore trackless, allowing a clean obstacle free entranceway and

occupying half the space of a single leaf swing gate. The Albatros bi-folding power transmission arm is mounted on the underside of the first gate leaf and is connected to the lower geared hinge ensuring a space effective wide opening system.



Upper hinge



ART.
85L
85PST
85

Bottom hinge



ART.
87
87PST
87L

Runaway stop



ART.
202
202F-C
239



Pedestrian gates



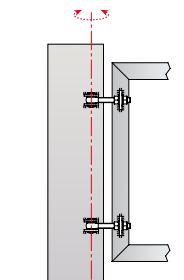
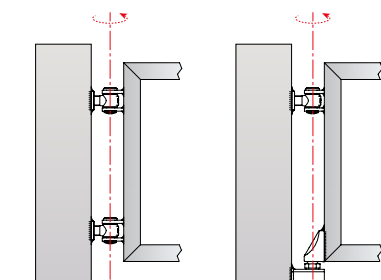
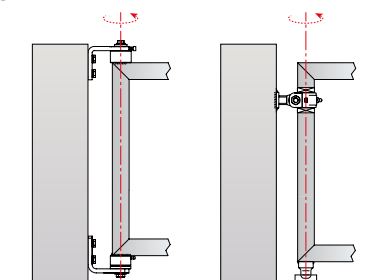
Gate stops



ART.
200i
201
202
202F-B
202F-C



Hinges



Axis rotation

ART.	ART.	ART.
83	86i	89
84i	87P	172
85	87	180
85L	87i	182
85L Q	87L-P	182B
85PST	87L	184
85XL	87L Q	185
85M+87M KIT	87LFQ	186
85G+87G KIT	87PST	188
86P	87PSQ	282
86G	87XL	285
86L-P	88	EAGLE BOX
86L-G	88L	EAGLE BOX-HG
86PST	88PST	EAGLE BOX i

Off-Axis rotation

ART.	ART.	ART.
90	116i	154R-CV
92G	117	155
94	117PST	155B
96G	120	157CV
100	120i	157AL
100PST	125	159
105	130	159R-CV
105PST	130-WH	160
106	130-WH-DX	160B
106PST	130-WH-SX	160 XL
110	135	161
115	140	162
116i	150	163
115PST	154	164

Off-Axis rotation for 180° opening

ART.
174
175
176
177
177Hs700
178
178Hs700



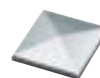
Pillar covers



ART.

165

165i



165Z

165N

165R

165RN

165RZ

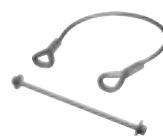
165S

165ST

165TN



Safety cable



ART.

195

197

195i

197i

Bolt latches



ART.

703

710

712

714

716

720

725

730i

732Z

732i

735

737

740

745

750

752

755

760

ART.

800

805

810

820

825

827

835

837

840

840D

852

855

857

860

861

862

863

864

865

865i

Locks and accessories



ART.

73

74

78

205

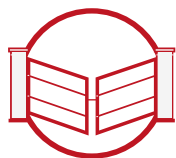
209

210

211

212

213



Swing gates

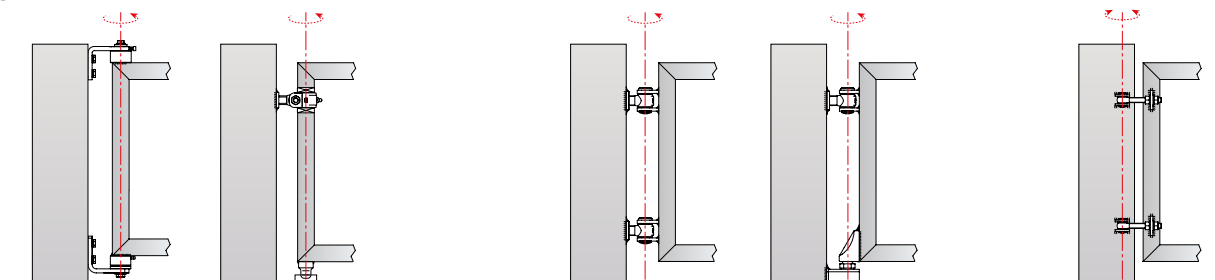


Stops



ART.	ART.
166	170
167	170i
168	171
169	

Hinges



Axis rotation

ART.	ART.	ART.
83	86i	89
84i	87P	172
85	87	180
85L	87i	182
85L Q	87L-P	182B
85PST	87L	184
85XL	87L Q	185
85M+87M KIT	87LFQ	186
85G+87G KIT	87PST	188
86P	87PSQ	282
86G	87XL	285
86L-P	88	EAGLE BOX
86L-G	88L	EAGLE BOX-HG
86PST	88PST	EAGLE BOX i

Off-Axis rotation

ART.	ART.	ART.
90	116i	154R-CV
92G	117	155
94	117PST	155B
96G	120	157CV
100	120i	157AL
100PST	125	159
105	130	159R-CV
105PST	130-WH	160
106	130-WH-DX	160B
106PST	130-WH-SX	160 XL
110	135	161
115	140	162
116i	150	163
115PST	154	164

Off-Axis rotation for 180° opening

ART.
174
175
176
177
177Hs700
178
178Hs700

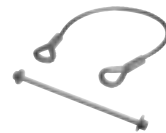


Pillar covers



ART.	
165	165RN
165i	165RZ
165Z	165S
165N	165ST
165R	165TN

Safety cable



ART.
195
197
195i
197i

Gate stops

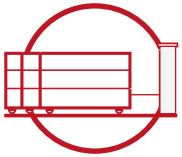


ART.
200i
201
202
202F-B
202F-C

Locks and accessories



ART.
73
74
78
205
209
210
211
212
213



The Ranger telescopic system

PATENT
PENDING



Track



ART.
289

Toothed tracks



ART.
RG-30 P
RG-30 G
RG-30 Pi
RG-30 Gi

Racks



ART.
260-22x22
262

Bracket



ART.
CG-15M
CG-15P

End cup



ART.
CG-30 M
CG-30 P
CG-30 G
199

End stop



ART.
201
202
202F-A

"U" profile



ART.
RG-387.3
RG-387.6

The Ranger telescopic system does not use cables to transmit drive from one leaf to the next but instead it uses an innovative ground mounted rack track. This rack track transmits movement using a system of hidden pinions that connect to the side rack, motorising the next leaf.

The simplicity of the system ensures that it very easy and rapid to install, remains reliable and requires very low maintenance. The rack tracks are brushed clean on every opening by the two cleaning brushes installed on the front and back of each leaf.



Guide plate



- | |
|--------|
| ART. |
| RG-254 |
| RG-252 |
| 251 |
| 252 |

Wheel kits



- | |
|--------------------|
| ART. |
| 2 LEAF KITS |
| RG2-100.50 |
| RG2-100.60 |
| RG2-100.80 |
| RG2-120.50 |
| RG2-120.60 |
| RG2-120.80 |
| RG2-140.80 |
| RG2-140.100 |
| 3 LEAF KITS |
| RG3-120.50 |
| RG3-120.60 |
| RG3-120.80 |
| RG3-140.80 |
| RG3-140.100 |

Brush kit



- | |
|-------|
| ART. |
| RG-15 |

Template guides



- | |
|---------|
| ART. |
| RG-10 P |
| RG-10 G |
| RG-20 |

Spacers

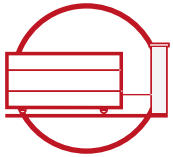


- | |
|------|
| ART. |
| 264 |
| 266 |

Speed reduction system



- | |
|--------|
| ART. |
| RG-40 |
| RG-45 |
| CG-58 |
| CG-58G |



Sliding gates



Runaway stops



ART.
200
200i
201
202
202A
202F-A
202F-C

Tracks



ART.
287
287 FP
287i
289
289i-G
290
291
291i
292
293
293i
294
295
295i
297
297 G
297i

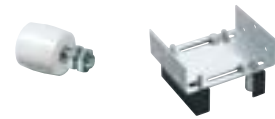
Racks and supports



ART.
260
260i
261
262
262i
263
264
264i
265
265L
266



Plates and rollers



ART.	ART.
227	247
228	247F
229	250
230	250i
230i	251
231	252
232	253
232N	254
233	255
235	255N
240	255i
242	257
243	256
244	258
245	

Upper end



ART.
199
203
204

Wheels

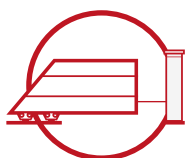


ART.	ART.	ART.
300V	322U	335V
300i	322Y	335i
300U	323	335U
305i	324	335Y
305V	325	336
305U	325U	336i
306	326V	336U
307	326U	336Y
308	327	337
310	328	337i
309	330V	338
310i	330U	338i
315	330Y	339V
315i	332	339U
320V	333V	339
320U	333U	340
320Y	333Y	342
322V	334	

Locks and accessories



ART.
205
209
210
211
212
213
215
215-S
216
217
220
222
223



Scan and discover more

Integrator: The new patented cantilever system with integrated transmission gears and protected internal rack.

PATENT
PENDING

End cup



ART.

CG-25M



CG-25P

CG-25G



CG-30M

CG-30P

CG-30G

CG-35P

CG-35G

Bottom end cup



ART.

CGS-346M

CGS-346P

CGS-346G

Guide plates



ART.

256-300

CG-251

250-220

252-200

251-220

247 F

251-300



255-220

232-30

255-350

232-40



Racks



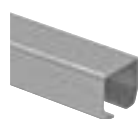
ART.

CG-50M

CG-50P

CG-50G

Monorail



ART.

CGS-345M

CGS-345P

CGS-345G

Templates



ART.

CG-55M

CG-55P

CG-55G

CG-10



- The pinion / rack coupling is completely protected inside the monorail housing, which guarantees **excellent protection** from ice blockage and atmospheric agents.
- Carriage with integrated pinion providing quick installation: simply **connect** the pinion to the sliding motor.
- Possibility to **adapt carriages** for use with actuators with different drive shafts, by using adapters.
- Suitable for temperatures ranging from -30° to 80° C.
- The monorails are manufactured from **high quality** steel profiles with a maximum thickness of 6 mm and are available in 3 and 6 m lengths in both galvanized and uncoated versions, depending on the different needs of the market and the installer.
- Protected moving parts for **clean aesthetics** and increased **safety** levels.



Tension bar



ART.
CG-40

Carriages



ART.
CGS-500.8M
CGS-500.8P
CGS-500.8G

Adaptor



ART.
CG-58
CG-58 G

Foundation fixing



ART.
CG-05P
CG-05G
CG-348

End stopper for monorail

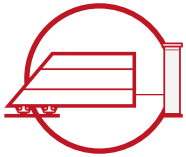


ART.
CGS-347M
CGS-347P
CGS-347G
CG-20M
CG-20P
CG-20G
CG-21M
CG-21P
CG-21G

Wall bracket

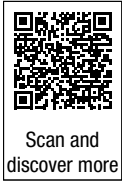


ART.
CG-15M
CG-15P
CG-15G



The Bullet mono-carriage cantilever system

PATENT
PENDING



End cup



ART.

CG-25M



CG-25P



CG-30M

CG-30P



CG-35P

Bottom end cup



ART.

CGS-346M

CGS-346P

Spacers for rack



ART.

263



264

266

Tracks



ART.

CGS-345M

CGS-345P



CGA-345M

CGA-345P

Racks



ART.

260-22x22

262-30x12



261-26x20



- **EASY AND FAST.** The ease of installing a single mono-carriage insures an extremely rapid operation.
- **ADJUSTABLE.** The mono-carriage is adjustable in length allowing for many different gate size and weight installations.
- **ALIGNEMENT.** The alignment between the wheel units is always perfect without guides or accessories.

Guide plates



ART.
CG-251
252-200
232-30
232-40

Tension bar



ART.
CG-40

Carriages



ART.
CGS-600.18 M
CGA-600.10 M
CGS-600.18 P
CGA-600.10 P



Fixing template



ART.
CG-06M
CG-06P
CG-65

End stopper for monorail

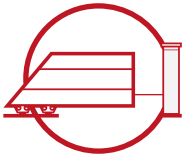


ART.
CGS-347M
CGS-347P
CGA-347M
CGA-347P
CG-20M
CG-20P
CGA-20M
CGA-20P
CG-21M
CG-21P

Wall bracket



ART.
CG-15M
CG-15P



Cantilever gate



End cup



ART.
CG-25P
CG-30P
CG-25M
CG-30M

Bottom end cup



ART.
203
CGS-346M
CGS-346P
CGi-346P



Carriages

ART.	CGS-250.5M	CGS-350.5M	CGS-350.8M
KIT CGS-150-300K	CGS-250.5P	CGS-350.5P	CGS-350.8P
KIT CGS-150-600K	CGS-250.5G	CGS-350.5G	CGS-350.8G
KIT CGA-150-300K	CGS-250.8M	CGS-350.5XL	CGS-WB-350.9P
KIT CGA-150-600K	CGS-250.8P	CGA-350.5M	CGS-WB-350.9G
	CGS-250.8G	CGA-350.5P	CGS-450.9-20K
		CGi-350.5P	



Guide plates



ART.	252	257
247	253	258
250	255	CG-251
250i	255i	CGi-251
251	256	CG-252

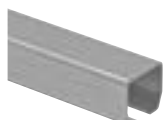
End stopper for monorail



ART.
CG-20M
CG-20P
CG-20G
CG-21M
CG-21P
CGS-347M
CGS-347P
CGS-347G



Tracks



ART.
CGS-245M
CGS-245P
CGS-245G

Racks



ART.
260
260i
261
262
262i

For the complete gate configurator go to www.comunello.com > gate > configurators



Industrial folding doors



Lever bolts



ART.
690MC
693MC
694MC
696MC
698MC
691P
691G
692P
692G
693 MC
695P

ART.
695G
695PM
695GM
680
682
683
684
685
686
687

Strikes and stops



ART.
358
379
361
362
363
364
365
366
367
378



Trolleys and pins



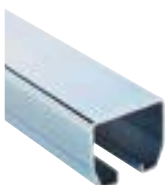
ART.
8
8C
10
10C
16C
20C
375P
375G
376P
377
377R
377G-SC
395 DX-SX
396

Accessories



ART.
25
239
249-30
387
388
239
246
270
272
RG-387

Monorails and supports



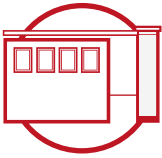
ART.
22
23
24
26
28
34
398
399
352
354-185
354-330
355
355S
356

Hinges and accessories



ART.
A370P
A371P
A380P
A381P
A380G
A380R
A381G
A384P
A385P
P365
P365R
P368I

ART.
P368S
P368M
P370
P371
P380
P381
P385
R383-13.5
R383-33
R378
400



Industrial sliding doors



Lever bolts



ART.	ART.
690MC	695G
693MC	695PM
694MC	695GM
696MC	680
698MC	682
691P	683
691G	684
692P	685
692G	686
693 MC	687
695P	



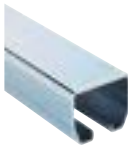

Handles



ART.
671
674
675
677
678
679
679i
270
270i
272



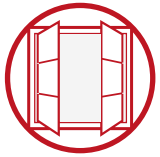
Monorails and accessories

	ART.
	22
	23
	24
	25
	30
	32
	36
	398G
	399P
	352
	354-185
	354-330
	355
	355S
	356
	246
	200G
	202G
	202F-A

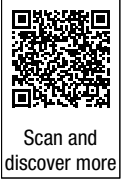
Trolleys



ART.	ART.	ART.
2	40	54
2C	41	56
2C NY	43	60
4	44	248
4C	46	375G
4C NY	48	375P
38	50	376P
39	52	377G-SC



Hinges for metal frames



Hinges with extractable pivot



ART.
402
402Z
405
405Z
410
410Z
415
415Z

ART.
425PS
431
440
445
450
455
456
457

ART.
458
459
460
465
470
475
480
482

ART.
485
487
402i
405i
410i
415i
440i
450i

ART.
425i
458i
460i
470i
480i
485i

"Futura" hinges



ART.
570
572
574

ART.
575
576
577

ART.
578

Plug welded hinges



ART.
411TRIS
420
425
430DX

ART.
430SX
420i
425i

Drop profile hinges



ART.
490
492
494
495
496

ART.
497
498
500
500i
501

ART.
560
564
580
584

Long wing hinges



ART.
505
510
515

ART.
520
525
530

Hinges for armored doors



ART.
540
541
542
543

ART.
544
545
546
547

ART.
548
590
591

Hinges for railing

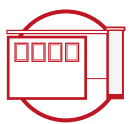


ART.
435
436
437

ART.
607
608
609



Life
made
easy



Sliding Doors Hardware

 **COMUNELLO****GATE**

2



Trolley with 2 wheels
Chariot à 2 galets
Zweirädriger Rollenapparat
Carro con 2 ruedas
Тележка с 2 колесами

Code	Art.	Size	Finishing	Capacity Kg	Pcs/pack	Kg/pack
10100505 001	2-P	Piccolo Ø24	Galvanized	30	16	1.20

2C



Trolley with two wheels and bearing
Chariot à 2 galets avec roulement
Zweirädriger Rollenapparat
mit Kugellage
Carro con 2 ruedas con rodamiento
Тележка с 2 колесами
с подшипником

Code	Art.	Size	Finishing	Capacity Kg	Pcs/pack	Kg/pack
10100610 001	2C-M	Medio Ø44	Galvanized	250	16	5.20
10100615 001	2C-G	Grande Ø54	Galvanized	350	16	10.82

NEW
2C NY



Trolley with two nylon wheels and bearing
Chariot à 2 galets en nylon avec roulement
Zweirädriger Nylon Rollenapparat mit Kugellage
Carro con 2 ruedasde nylon con rodamiento
Тележка с 2 колесами из нейлона с подшипником

Code	Art.	Size	Finishing	Capacity Kg	Pcs/pack	Kg/pack
19918600 001	2C-M NY	Medio Ø44	Galvanized	250	16	3,73

4



Trolley with four wheels
Chariot à 4 galets
Vierrädriger Rollenapparat
Carro con 4 ruedas
Тележка с 4 колесами

Code	Art.	Size	Finishing	Capacity Kg	Pcs/pack	Kg/pack
10101005 001	4-P	Piccolo Ø24	Galvanized	50	16	2.14

4C

PATENTED



Trolley with four wheels and bearing
Chariot à 4 galets avec roulement
Vierrädriger Rollenapparat mit Kugellager
Carro con 4 ruedas con rodamiento
Тележка с 4 колесами с подшипником

Code	Art.	Size	Finishing	Capacity Kg	Pcs/pack	Kg/pack
10101110 001	4C-M	Medio Ø44	Galvanized	280	16	9.28
10101115 001	4C-G	Grande Ø54	Galvanized	400	16	19.55

NEW
4C NY

PATENTEDT



Trolley with 4 nylon wheels and bearing
Chariot à 4 galets en nylon avec roulement
Vierädriger Nylon Rollenapparat mit Kugellage
Carro con 4 ruedasde nylon con rodamiento
Тележка с 4 колесами из нейлона с подшипником

Code	Art.	Size	Finishing	Capacity Kg	Pcs/pack	Kg/pack
19918605 001	4C-M NY	Medio Ø44	Galvanized	280	16	6,40

Code	Art.	Size	Finishing	Capacity Kg	Pcs/pack	Kg/pack
10102005 001	8-P	Piccolo Ø24	Galvanized	30	16	1.76



8

Turning trolley with two wheels
 Chariot à 2 galets pivotant
 Zweirädriger Schwenkrollenapparat
 Carro con 2 ruedas giratorias
 Тележка с 2 поворотными колесами

Code	Art.	Size	Finishing	Capacity Kg	Pcs/pack	Kg/pack
10102110 001	8C-M	Medio Ø44	Galvanized	250	16	10.66
10102115 001	8C-G	Grande Ø54	Galvanized	350	16	19.86



PATENTED 8C

Turning trolley with two wheels and bearings
 Chariot à 2 galets pivotant avec roulements
 Zweirädriger Schwenkrollenapparat mit Kugellagern
 Carro con 2 ruedas giratorias con rodamientos
 Тележка с 2 поворотными колесами с подшипниками

Code	Art.	Size	Finishing	Capacity Kg	Pcs/pack	Kg/pack
10102505 001	10-P	Piccolo Ø24	Galvanized	50	16	2.69



10

Turning trolley with four wheels
 Chariot à 4 galets pivotant
 Vierrädriger Schwenkrollenapparat
 Carro con 4 ruedas giratorias
 Тележка с 4 поворотными колесами

Code	Art.	Size	Finishing	Capacity Kg	Pcs/pack	Kg/pack
10102610 001	10C-M	Medio Ø44	Galvanized	280	16	15.02
10102615 001	10C-G	Grande Ø54	Galvanized	350	16	26.99



PATENTED 10C

Turning trolley with four wheels and bearings
 Chariot à 4 galets pivotant avec roulements
 Vierrädriger Schwenkrollenapparat mit Kugellagern
 Carro con 4 ruedas giratorias con rodamientos
 Тележка с 4 поворотными колесами с подшипниками

Code	Art.	Size	Finishing	Capacity Kg	Pcs/pack	Kg/pack
10103610 001	16C-M	Medio Ø44	Galvanized	280	16	14.27
10103615 001	16C-G	Grande Ø54	Galvanized	300	16	22.99



PATENTED 16C

Trolley with four wheels, bearings and 3 wings hinge
 Chariot avec 4 galets, roulements et paumelle à 3 ailes
 Vierrädriger Rollenapparat mit Kugellager und 3-Lasche-Torband
 Carro con 4 ruedas con rodamientos y pernio de 3 palas
 Тележка с 4 колесами с подшипниками и шарниром с 3 полками

Code	Art.	Size	Finishing	Capacity Kg	Pcs/pack	Kg/pack
10104610 001	20C-M	Medio Ø44	Galvanized	280	16	12.35
10104615 001	20C-G	Grande Ø54	Galvanized	300	16	22.22



PATENTED 20C

Trolley with four wheels, bearings and one wing hinge
 Chariot avec 4 galets, roulements et paumelle à 1 aile
 Vierrädriger Rollenapparat mit Kugellager und 1 Lasche-Torband
 Carro con 4 ruedas con rodamientos y pernio de 1 pala
 Тележка с 4 колесами с подшипниками и шарниром с 1 полкой

22

Ceiling support for track art.24
Support au plafond pour rail art.24
Decke-Lager für Stahlprofil Artikel 24
Soporte de techo para monorriel art. 24
Потолочная опора для монорельса арт.24



Code	Art.	Size	Finishing	Capacity Kg	Pcs/pack	Kg/pack
10605005 001	22-P	Piccolo	Galvanized		10	3.50
10605000 001	22-M	Medio	Galvanized		10	4.60
10605010 001	22-G	Grande	Galvanized		6	4.51

23

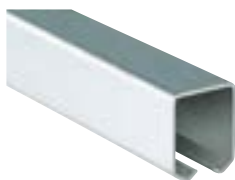
Wall support for track art.24
Support au mur pour rail art.24
Wand-Lager für Stahlprofil Artikel 24
Soporte de pared para monorriel art. 24
Настенная опора для монорельса арт.24



Code	Art.	Size	Finishing	Capacity Kg	Pcs/pack	Kg/pack
10605505 001	23-P	Piccolo	Galvanized		10	3.70
10605500 001	23-M	Medio	Galvanized		10	6.18
10605510 001	23-G	Grande	Galvanized		6	4.02

24

Track for trolleys small-medium-large
Rail pour chariots petit-moyen-grand
Stahlprofil für Rollenaufhängung klein, medium, groß
Monorriel para carro pequeño mediano grande
Монорельс для больших средних и малых тележек



Code	Art.	Size	Finishing	Capacity Kg	Pcs/pack	Kg/pack
10200505 001	24-P	Piccolo L=6000	Galvanized		1	7.50
10200510 001	24-M	Medio L=6000	Galvanized		1	19.00
10200515 001	24-G	Grande L=6000	Galvanized		1	30.00
10200503 001	24-P	Piccolo L=3000	Galvanized		1	3.75
10200508 001	24-M	Medio L=3000	Galvanized		1	9.50
10200514 001	24-G	Grande L=3000	Galvanized		1	15.00

25

Runaway stop for Track 24
Boutoir de fin de course pour rail 24
Torendpuffer für Rollenaufhängung 24
Tope de final de carrera para monorriel art. 24
Стопор конца хода для монорельса арт.24



Code	Art.	Size	Finishing	Capacity Kg	Pcs/pack	Kg/pack
10704805 001	25-P/M	Piccolo/Medio	Galvanized		12	1.68
10704810 001	25-G	Grande	Galvanized		12	3.60

26

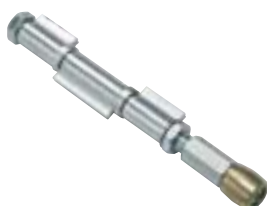
Bottom pivot with 1 wing hinge and brass roller
Pivot inférieur avec paumelle à 1 aile et rouleau en laiton
Unteres Führungsband mit 1-Lasche und Führungsrolle aus Messing
Perno inferior con pernio de 1 pala rodillo de latón
Нижний штырь с шарниром с 1 полкой латунный наконечник



Code	Art.	Size	Finishing	Capacity Kg	Pcs/pack	Kg/pack
10300505 001	26-M	Medio	Galvanized		16	5.71
10300510 001	26-G	Grande	Galvanized		16	7.62

28

Bottom pivot with 3 wings hinge and brass roller
Pivot inférieur avec paumelle à 3 ailes et rouleau en laiton
Unteres Führungsrolle mit 3-Lasche und Führungsrolle aus Messing
Perno inferior con pernio de 3 palas rodillo de latón
Нижний штырь с шарниром с 3 полками латунный наконечник



Code	Art.	Size	Finishing	Capacity Kg	Pcs/pack	Kg/pack
10301005 001	28-M	Medio	Galvanized		16	7.78
10301010 001	28-G	Grande	Galvanized		16	9.04

Code	Art.	Size	Finishing	Capacity Kg	Pcs/pack	Kg/pack
10301505 001	30-25	Ø25	Galvanized		20	3.04



30

Threaded pivot with brass roller
Pivot taraudé avec rouleau en laiton
Bolzen mit Gewinde und Führungsrolle aus Messing
Perno roscado rodillo de latón
Резьбовой штырь латунный наконечник

Code	Art.	Size	Finishing	Capacity Kg	Pcs/pack	Kg/pack
10400505 001	32-34	Ø34	Galvanized		20	5.24



32

Steel switcher with roller
Déviateur en acier avec rouleau
Ablenker mit Stahlführungsrolle
Desviador rodillo de acero
Отводящее устройство для ролика из стали

Code	Art.	Size	Finishing	Capacity Kg	Pcs/pack	Kg/pack
10500505 001	34-M	M12	Galvanized		20	3.62
10500510 001	34-G	M20	Galvanized		20	9.54



34

Turning plate with bearing for trolleys
Platine pivotante avec roulement pour chariots
Schwenkplatte mit Kugellager für Rollenapparate
Placa giratoria con rodamiento para carros
Поворотная пластина с подшипником для тележек

Code	Art.	Size	Finishing	Capacity Kg	Pcs/pack	Kg/pack
10302005 001	36-25	Ø25	Galvanized		20	5.72
10302010 001	36-30	Ø30	Galvanized		20	6.50



36

Bottom guide with brass roller
Guide inférieure avec rouleau en laiton
Untere Führungsplatte mit Messing-Führungsrolle
Guía inferior rodillo de latón
Нижняя направляющая латунный наконечник

Code	Art.	Size	Finishing	Capacity Kg	Pcs/pack	Kg/pack
10105505 001	38-24	Ø24	Galvanized	30	50	7.00



38

Bottom guide with brass roller
Guide inférieure avec rouleau en laiton
Untere Führungsplatte mit Messing-Führungsrolle
Guía inferior rodillo de latón
Нижняя направляющая латунный наконечник

Code	Art.	Size	Finishing	Capacity Kg	Pcs/pack	Kg/pack
10106005 001	39-24	Ø24	Galvanized	30	50	6.15



39

Trolley with 2 nylon wheels
Chariot avec 2 galets en nylon
Rollenapparat mit 2-Nylon-Rollen
Carro con 2 ruedas de nylon
Тележка с 2 колесами из нейлона

40

Trolley with 4 wheels
 Chariot avec 4 galets
 Vieradriger Rollenapparat
 Carro con 4 ruedas
 Тележка с 4 колесами



Code	Art.	Size	Finishing	Capacity Kg	Pcs/pack	Kg/pack
10106505 001	40-24	Ø24	Galvanized	50	50	11.85

41

Trolley with 4 nylon wheels
 Chariot avec 4 galets en nylon
 Vierradriger Rollenapparat
 mit Nylon-Rollen
 Carro con 4 ruedas de nylon
 Тележка с 4 колесами из нейлона



Code	Art.	Size	Finishing	Capacity Kg	Pcs/pack	Kg/pack
10107005 001	41-24	Ø24	Galvanized	50	50	10.20

42

Plate for trolleys
 Plaquette pour chariots
 Platte für Rollenapparat
 Placa para carros
 Пластина для тележек



Code	Art.	Size	Finishing	Capacity Kg	Pcs/pack	Kg/pack
10501005 001	42P	Piccolo	Galvanized		50	2.50
10501010 001	42G	Grande	Galvanized		50	2.50

43

2 Wheels trolley with bracket
 Chariot à 2 galets avec bride
 Zweiradriger Rollenapparat
 mit Befestigungsbügel
 Carro con 2 ruedas con placa
 Тележка с 2 колесами
 с кронштейном



Code	Art.	Size	Finishing	Capacity Kg	Pcs/pack	Kg/pack
10107505 001	43-24	Ø24	Galvanized	30	100	7.50

44

2 Wheel trolley with long bracket
 Chariot à 2 galets avec bride longue
 Zweiradriger Rollenapparat
 mit langem Befestigungsbügel
 Carro con 2 ruedas con placa larga
 Тележка с 2 колесами с
 длинным кронштейном



Code	Art.	Size	Finishing	Capacity Kg	Pcs/pack	Kg/pack
10108005 001	44-24	Ø24	Galvanized	30	100	9.40

46

Trolley with 2 wheels and
 long bended bracket
 Chariot à 2 galets avec
 bride longue et courbée
 Zweiradriger Rollenapparat
 mit langem gekrüpftem
 Befestigungsbügel
 Carro con 2 ruedas con
 placa larga curvada
 Тележка с 2 колесами с длинным
 выгнутым кронштейном



Code	Art.	Size	Finishing	Capacity Kg	Pcs/pack	Kg/pack
10108505 001	46-24	Ø24	Galvanized	30	100	9.40

Code	Art.	Size	Finishing	Capacity Kg	Pcs/pack	Kg/pack
10109005 001	48-24	Ø24	Galvanized	15	100	6.20



48

Trolley with 1 wheel and bracket
 Chariot à 1 galet avec bride
 Einrädrieger Rollenapparat
 mit Befestigungsbügel
 Carro con 1 rueda con placa
 Тележка с 1 колесом с кронштейном

Code	Art.	Size	Finishing	Capacity Kg	Pcs/pack	Kg/pack
10109505 001	50-24	Ø24	Galvanized	30	100	8.40



50

Trolley with 2 wheels and bracket
 Chariot à 2 galets avec bride
 Zweirädrieger Rollenapparat
 mit Befestigungsbügel
 Carro con 2 ruedas con placa
 Тележка с 2 колесами
 с кронштейном

Code	Art.	Size	Finishing	Capacity Kg	Pcs/pack	Kg/pack
10110005 001	52-24	Ø24	Galvanized	30	100	8.20



52

Trolley with 2 wheels and
 bended bracket
 Chariot à 2 galets avec bride courbée
 Zweirädrieger Rollenapparat
 mit gekröpftem
 Befestigungsbügel
 Carro con 2 ruedas con placa curvada
 Тележка с 2 колесами с
 выгнутым кронштейном

Code	Art.	Size	Finishing	Capacity Kg	Pcs/pack	Kg/pack
10110505 001	54-24	Ø24	Galvanized	50	100	16.00



54

Trolley with 4 wheels
 and large bracket
 Chariot à 4 galets avec bride large
 Vierrädrieger Rollenapparat mit
 breitem Befestigungsbügel
 Carro con 4 ruedas con placa ancha
 Тележка с 4 колесами с
 широким кронштейном

Code	Art.	Size	Finishing	Capacity Kg	Pcs/pack	Kg/pack
10111005 001	56-24	Ø24	Galvanized	50	100	16.10



56

Trolley with 4 wheels and
 large bended bracket
 Chariot à 4 galets avec bride large courbée
 Vierrädrieger Rollenapparat mit gekröpftem
 breitem Befestigungsbügel
 Carro con 4 ruedas con
 placa ancha curvada
 Тележка с 4 колесами с широким
 выгнутым кронштейном

Code	Art.	Size	Finishing	Capacity Kg	Pcs/pack	Kg/pack
10111505 001	60-24	Ø24	Galvanized	50	50	9.55



60

Trolley with 4 wheels and
 hook holder bracket
 Chariot à 4 galets avec
 bride porte-crochet
 Vierrädrieger Rollenapparat
 mit Einhängbohrung
 Carro con 4 ruedas con
 placa para gancho
 Тележка с 4 колесами с
 кронштейном с крюком



Life
made
easy



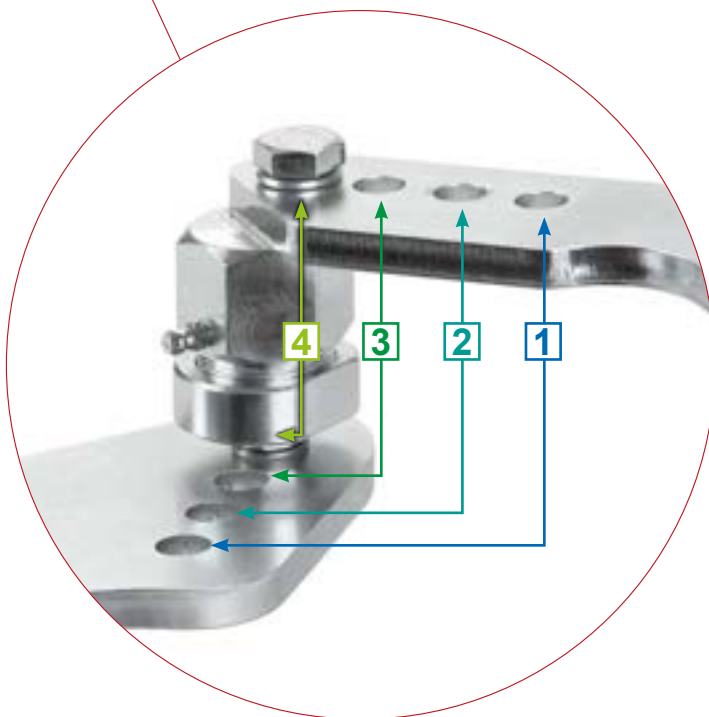
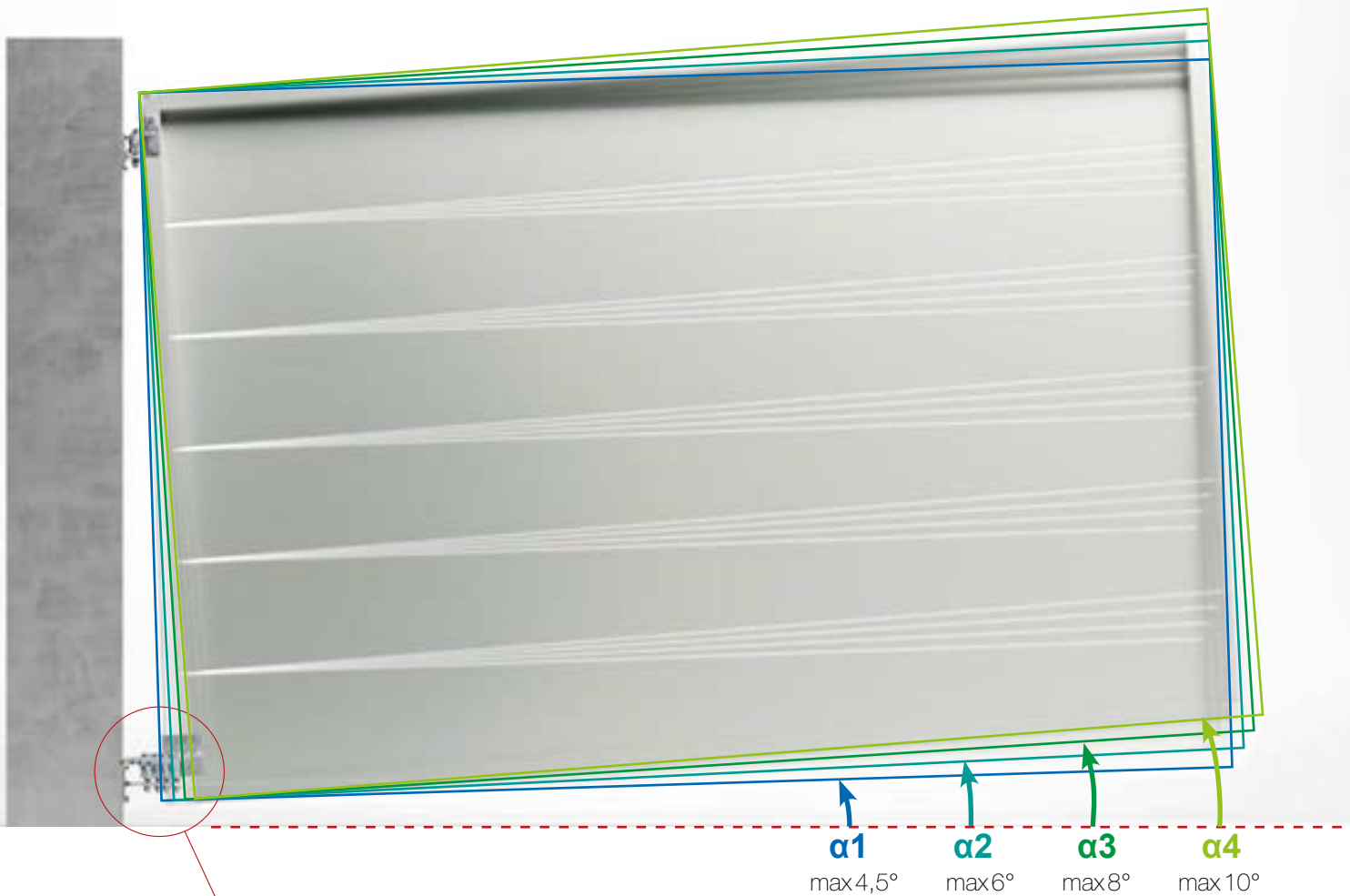
PATENT
PENDING

Rising Hinges

*New RISING HINGES system for
environnements with slope*

 **COMUNELLO****GATE**

Rising hinges to be fixed

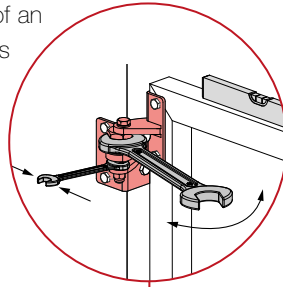


The lower hinge has an adjustment system consisting of 4 holes both in the bracket fixed to the gate and in the bracket fixed to the pillar. Each pair of holes (1, 2, 3, 4) corresponds to an inclination of the door.

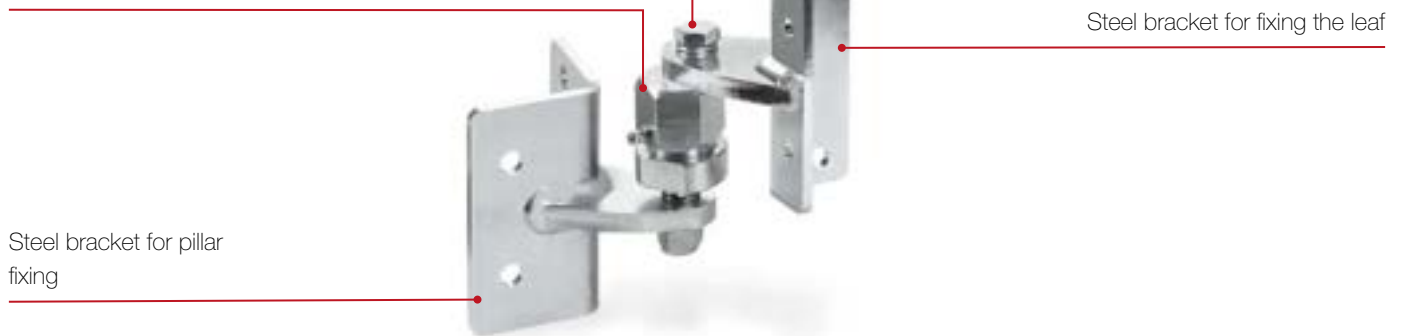
By adjusting the distance between the two hinges and adjusting the lower hinge, the desired inclination can be obtained.

Upper Rising hinge to be fixed

The leaf bracket is connected to the joint by means of an off-axis eccentric screw; the rotation of the joint allows a fine adjustment of the door, useful for placing it in a horizontal position and aligning it with the pillar.



The ball joint with grease nipple allows the door to tilt during movement

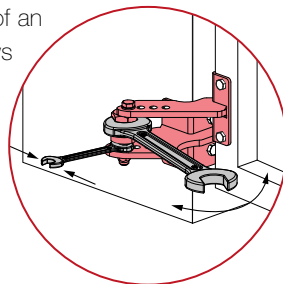


Steel bracket for pillar fixing

Steel bracket for fixing the leaf

Lower Rising hinge to be fixed

The leaf bracket is connected to the joint by means of an off-axis eccentric screw; the rotation of the joint allows a fine adjustment of the door, useful for placing it in a horizontal position and aligning it with the pillar.



The ball joint with grease nipple allows the door to tilt during movement

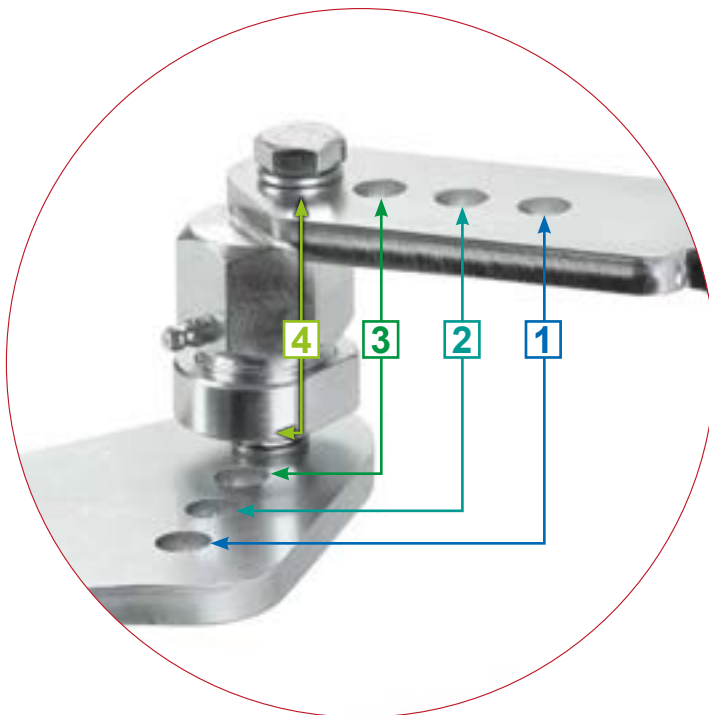
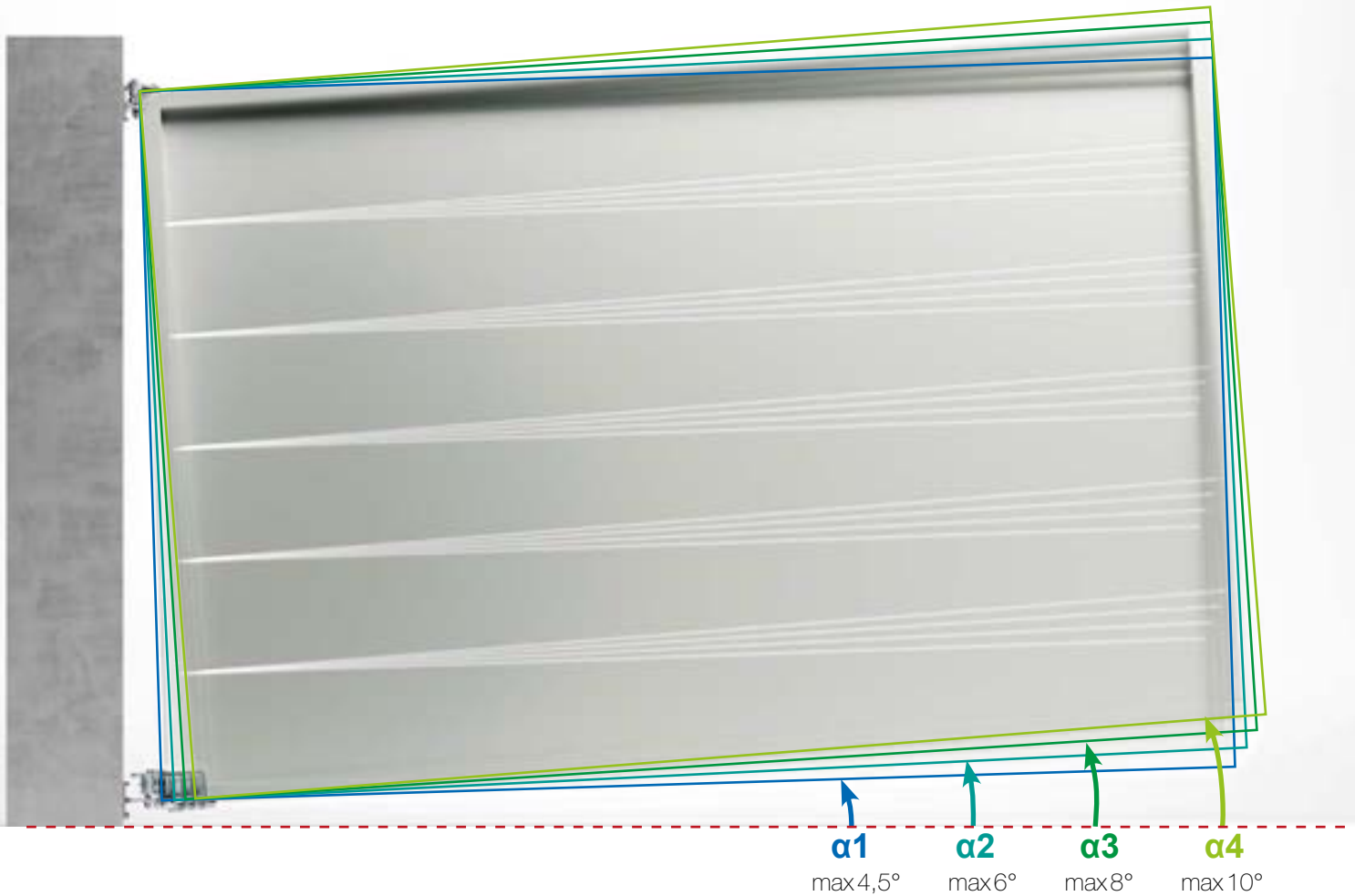


Steel bracket for pillar fixing

Steel bracket for fixing the leaf

Both brackets have 4 holes; each hole corresponds to a different inclination of the leaf in the open position.

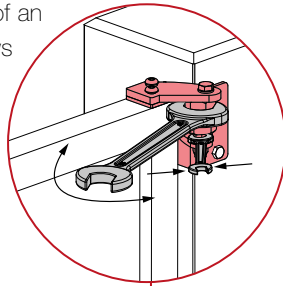
Rising hinges to be welded



The lower hinge has an adjustment system consisting of 4 holes both in the bracket welded to the gate and in the bracket welded to the pillar. Each pair of holes (1, 2, 3, 4) corresponds to an inclination of the door. By adjusting the distance between the two hinges and adjusting the lower hinge, the desired inclination can be obtained.

Upper Rising hinge to be welded

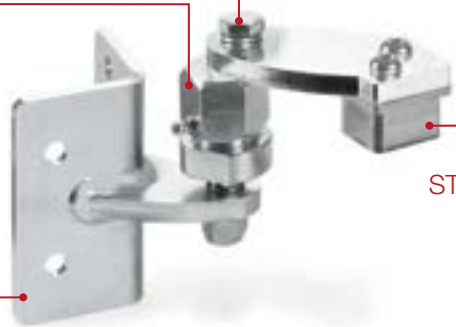
The leaf bracket is connected to the joint by means of an off-axis eccentric screw; the rotation of the joint allows a fine adjustment of the door, useful for placing it in a horizontal position and aligning it with the pillar.



The ball joint with grease nipple allows the door to tilt during movement

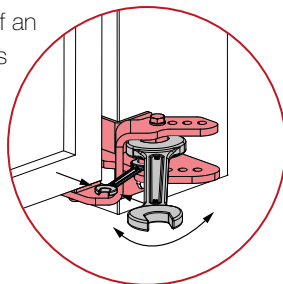
Leaf bracket with insert to be welded in steel and aluminum versions.

Steel bracket for pillar fixing



Lower Rising hinge to be welded

The leaf bracket is connected to the joint by means of an off-axis eccentric screw; the rotation of the joint allows a fine adjustment of the door, useful for placing it in a horizontal position and aligning it with the pillar.



The ball joint with grease nipple allows the door to tilt during movement

Leaf bracket with insert to be welded in steel and aluminum versions.

Steel bracket for pillar fixing



Both brackets have 4 holes; each hole corresponds to a different inclination of the leaf in the open position.

NEW

RS-100F

Opening system for swing gates with inclined leaves. To fix on the door and to fix on the pillar
 Système d'ouverture pour portails battants à vantaux in- clinés. A fixer sur la porte et à fixer sur le pilier
 Öffnungssystem für Drehtore mit schrägen Flügeln. Zur Befestigung an der Tür und zur Befestigung an der Säule
 Sistema de apertura para cancelas batientes con hojas inclinadas. Fijar en la puerta y fijar en el pilar
 Система открывания для распашных ворот с наклонной створкой. Закрепить на двери и закрепить на стойке.



Upper Rising hinge



Lower Rising hinge

Code	Art.	Size	Max leaf weight kg	Finishing	Pcs/pack	Kg/pack
10826000 001	RS-100F	one size	150	Galvanized	1 kit	4,6

NEW

RS-ST

Opening system for swing gates with inclined leaves. To weld on the door and to fix on the pillar
 Système d'ouverture pour portails battants à vantaux in- clinés. A souder sur la porte et à fixer sur le pilier
 Öffnungssystem für Drehtore mit schrägen Flügeln. Zur Schweißen an der Tür und zur Befestigung an der Säule
 Sistema de apertura para cancelas batientes con hojas inclinadas. Soldar en la puerta y fijar en el pilar
 Система открывания для распашных ворот с наклонной створкой. Приварить к двери и закрепить на стойке



Upper Rising hinge with steel insert



Lower Rising hinge with steel insert

Code	Art.	Insert	Max leaf weight kg	Finishing	Pcs/pack	Kg/pack
10826015 001	RS-ST140-LH	40x40 Steel	120	Galvanized	1 kit	5
10826035 001	RS-ST150-LH	50x50 Steel	120	Galvanized	1 kit	5.8
10826055 001	RS-ST165-LH	65x65 Steel	120	Galvanized	1 kit	7.5
10826005 001	RS-ST140-RH	40x40 Steel	120	Galvanized	1 kit	5
10826025 001	RS-ST150-RH	50x50 Steel	120	Galvanized	1 kit	5.8
10826045 001	RS-ST165-RH	65x65 Steel	120	Galvanized	1 kit	7.5

NEW

RS-AL

Opening system for swing gates with inclined leaves. To weld on the door and to fix on the pillar
 Système d'ouverture pour portails battants à vantaux in- clinés. A souder sur la porte et à fixer sur le pilier
 Öffnungssystem für Drehtore mit schrägen Flügeln. Zur Schweißen an der Tür und zur Befestigung an der Säule
 Sistema de apertura para cancelas batientes con hojas inclinadas. Soldar en la puerta y fijar en el pilar
 Система открывания для распашных ворот с наклонной створкой. Приварить к двери и закрепить на стойке



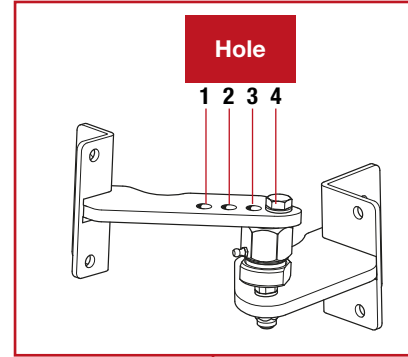
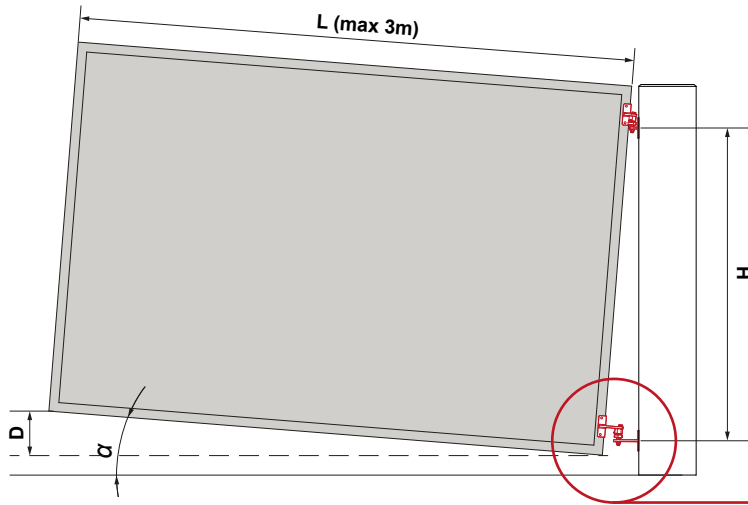
Upper Rising hinge with aluminium insert



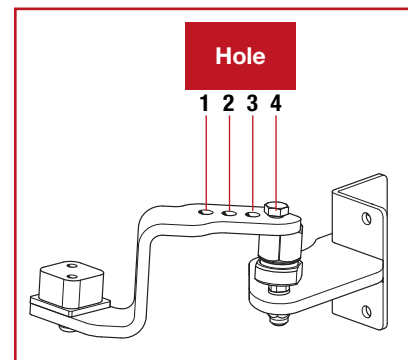
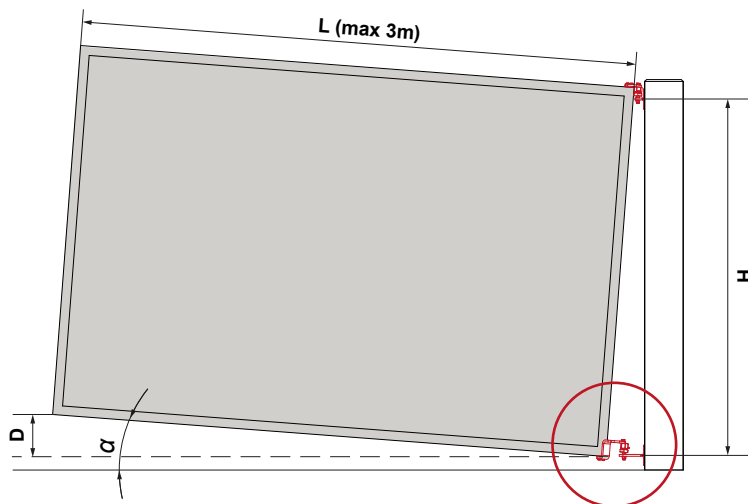
Lower Rising hinge with aluminium insert

Code	Art.	Insert	Max leaf weight kg	Finishing	Pcs/pack	Kg/pack
10826020 001	RS-AL140-LH	40x40 Aluminium	120	Galvanized	1 kit	4.6
10826040 001	RS-AL150-LH	50x50 Aluminium	120	Galvanized	1 kit	5.1
10826060 001	RS-AL165-LH	65x65 Aluminium	120	Galvanized	1 kit	6
10826010 001	RS-AL140-RH	40x40 Aluminium	120	Galvanized	1 kit	4.6
10826030 001	RS-AL150-RH	50x50 Aluminium	120	Galvanized	1 kit	5.1
10826050 001	RS-AL165-RH	65x65 Aluminium	120	Galvanized	1 kit	6

RS-100F - Lower hinge rise set up



RS-ST / RS-AL - Lower hinge rise set up



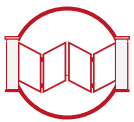
H m	Hole	α°	D mm (L=1 m)	D mm (L=2 m)	D mm (L=3 m)
0,8	1	4,5	80	160	240
	2	6	103	206	309
	3	8	150	300	450
	4	10	180	360	540
1,2	1	3	50	100	150
	2	4,5	80	160	240
	3	5,5	100	200	300
	4	7	125	250	375
1,5	1	2,5	45	90	135
	2	3,5	60	120	180
	3	4,5	80	160	240
	4	5,5	100	200	300
1,8	1	2	35	70	105
	2	3	50	100	150
	3	3,5	60	120	180
	4	4,5	80	160	240



Life
made
easy



PATENT
PENDING



Albatros

An innovative bi-folding swing gate system
offering maximum opening in confined spaces.

 **COMUNELLO** **GATE**

The Albatros bi-folding gate system

Upper geared hinge

Pin with integrated gear mechanism



Anti-crushing rubber stop

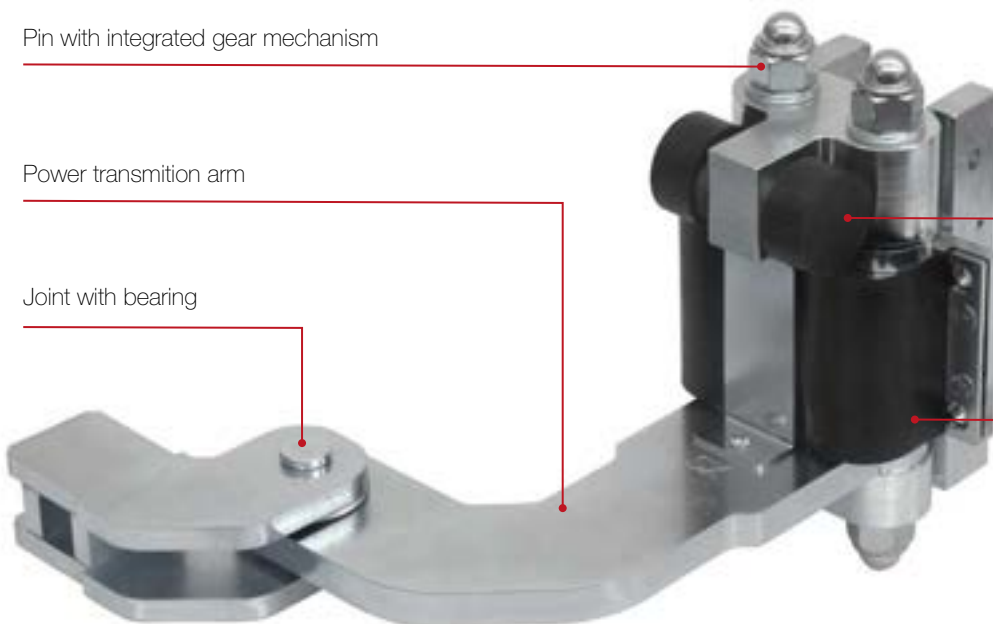
Elastic safety protection

Lower geared hinge with power transmission arm

Pin with integrated gear mechanism

Power transmission arm

Joint with bearing



Anti-crushing rubber stop

Elastic safety protection

FEATURES

- ABS-100 is an ambidextrous kit
- The hinges with integrated mechanical gear ensure precise and stable transmission over time
- The kit is made of high quality materials particularly resistant to wear
- The mechanism with bearings and spherical joints significantly reduces friction and makes movement fluid
- The alignment of the leaves and the movement of the gate are easily adjustable by intervening directly on the bracket fixed to the pillar

Adjustable bracket



Ball joint with grease nipple

Adjustment for door alignment when opening

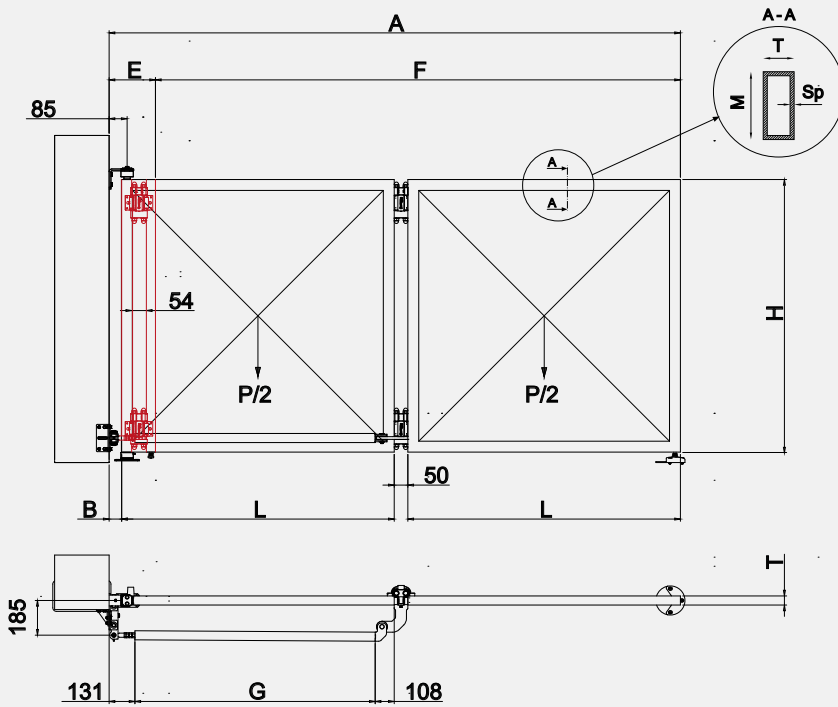
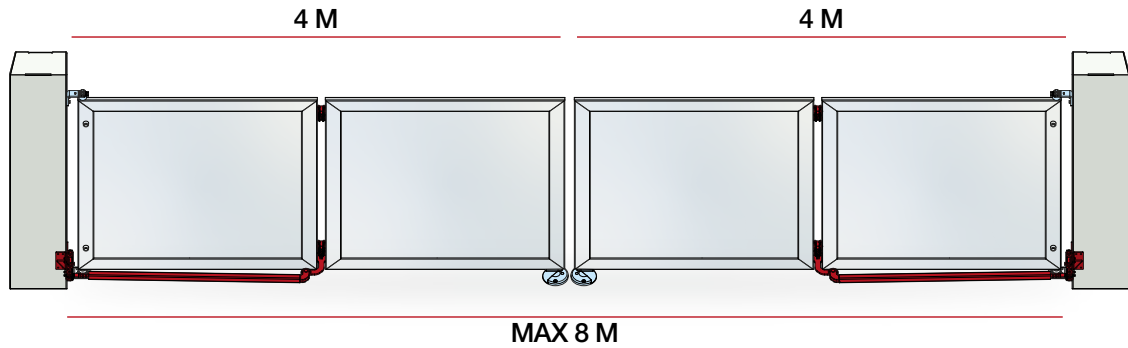
Adjustment for door alignment when closing



Grease nipple



Albatros **ABS-100-P** For leaves up to 4 m (quote A), A/H max = 3



GATE SYSTEM SIZING

$E = 2 \cdot T + B + 54$	OPEN GATE LEAF DIMENSIONS
$F = A - E$	NET OPENING SIZE WITH GATE OPEN
$G = L - 239 + B$	LEVER TUBE LENGTH
$L = (A - 50 - B) \div 2$	LEAF LENGTH
A	OPENING LENGTH
$B = 85 - (T/2)$	DISTANCE FROM THE LEAF TO COLUMN
T	LEAF TUBE SIZE

As indicated in the table, we recommend the use of tubulars of such dimensions as to make the structure sufficiently rigid and avoid bending of the doors during the opening and closing phases. It is also advisable to limit the weight of the gate as much as possible. The choice of the tubular may vary depending on the shape of the doors and of the materials used.

A [mm]	P/2 max [kg]	TUBULAR SIZE MxTxSP [mm] *
1500	100	80x50x3
		75x50x3
2000	100	80x50x3
		75x50x3
2500	100	80x50x3
		75x50x3
3000	100	80x50x3
		75x50x3
3500	100	100x50x3
		150x50x3
4000	100	120x50x3
		150x50x3

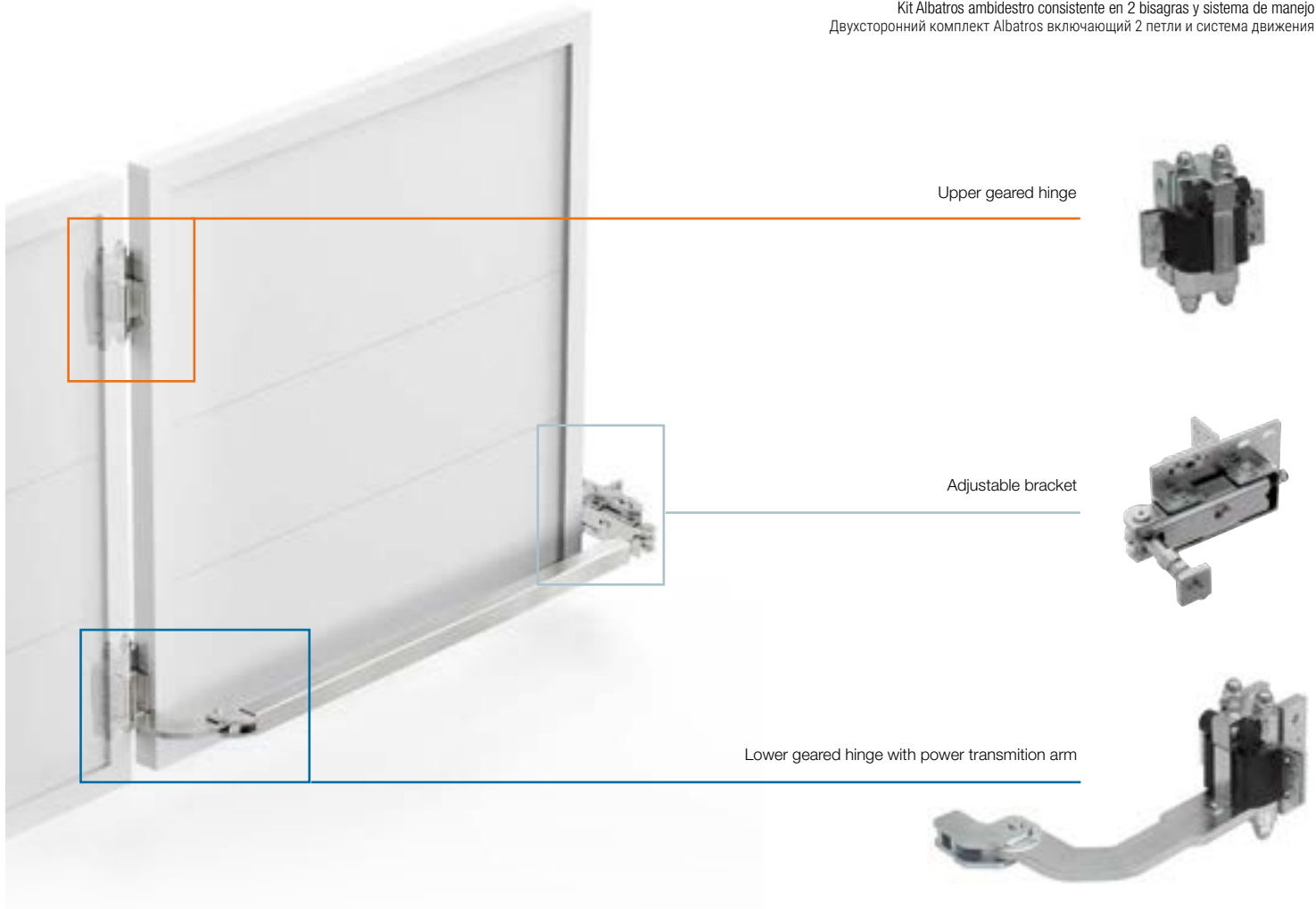
For weights (P) over 200 kg, contact COMUNELLO SERVICE DPT

* Material standard ISO 10799-2 and ISO 12633-2

Code	Art.	Size	Finishing	Pcs/pack	Kg/pack
11640910 001	ABS-100-P	Ambidextrous Piccolo	Galvanized	1	10,5

ABS-100-P ^{NEW}

Ambidextre Albatros Kit including 2 hinges and movement system
 Kit Albatros ambidextre comprenant 2 paumelles et système de mouvement
 beidhändig Albatros Kit mit 2 Scharniere und Bewegungssystem
 Kit Albatros ambidestro consistente en 2 bisagras y sistema de manejo
 Двухсторонний комплект Albatros включающий 2 петли и система движения



Code	Art.	Size	Finishing	Pcs/pack	Kg/pack
11640913	ABS-10-P	40X40 sp. 3 - 3m	Raw	1	10,00

ABS-10-P ^{NEW}

Hinge-pillar connection tubular
 Tubulaire de raccordement paumelle-pilier
 Scharnier-Pfeiler Verbindung Schlauchreifen
 Tubular de conexión bisagra-pilar
 Трубное соединение петля - столб

Code	Art.	Size	Finishing	Pcs/pack	Kg/pack
11640905 001	ABS-16	D160 H=30	Galvanized	1	0,8

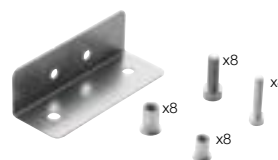
ABS-16 ^{NEW}

Kit molded floor strike plate
 Kit Butoir au sol moulé
 Formgepressten Bodenanschlag Kit
 Kit encuentro para suelo moldeado
 Комплект формованных напольных упоров

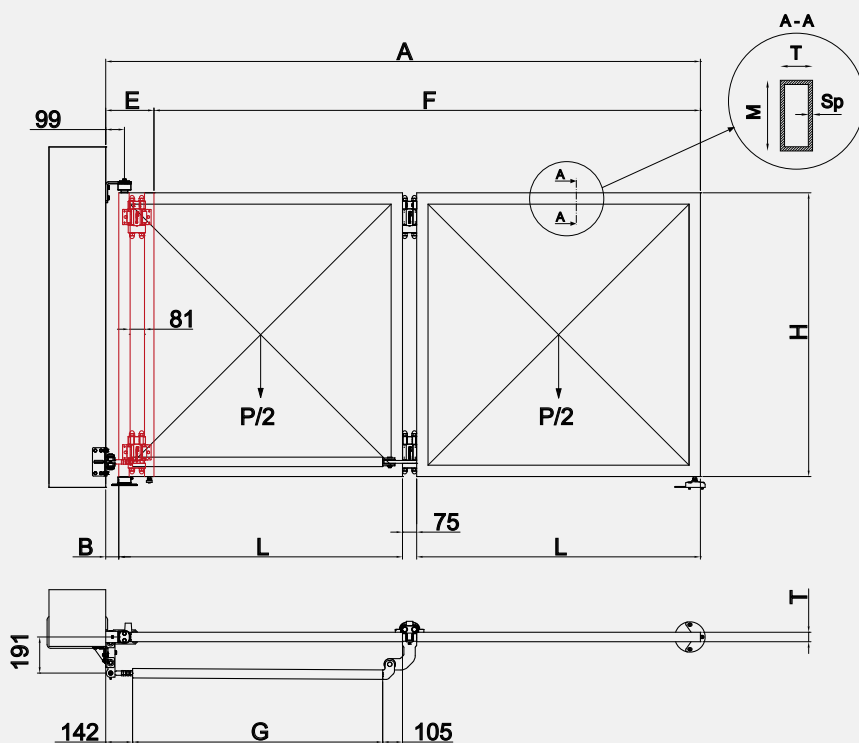
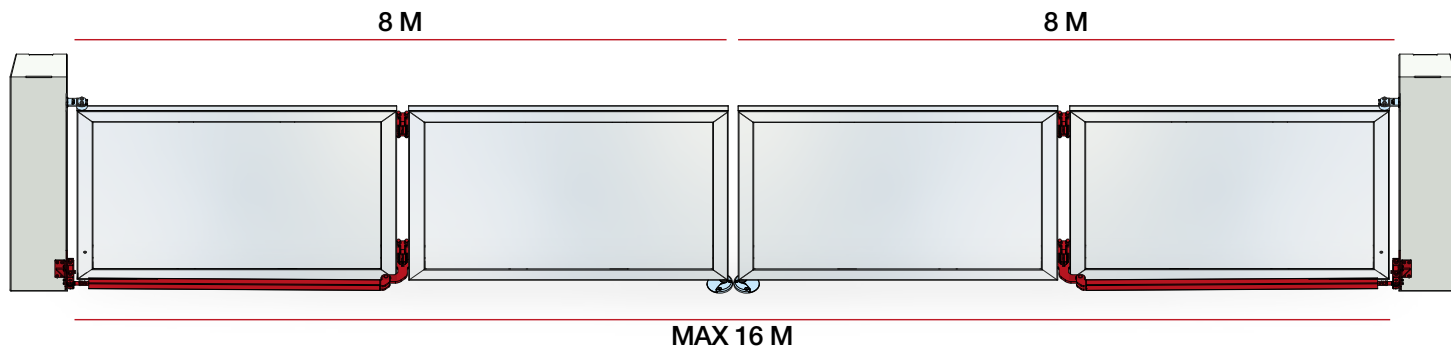
Code	Art.	Size	Finishing	Pcs/pack	Kg/pack
11640920 001	ABS-20P	Piccolo	Galvanized	1	0,06

ABS-20-P ^{NEW}

Drilling template kit with rivets and fixing screws
 Kit gabarit de perçage avec rivets et vis de fixation
 Bohrschablone-Set mit Einsätzen und Befestigungsschrauben
 Kit de plantillas de perforación con remaches y tornillos de fijación
 Набор шаблонов для сверления со вставками и крепежными винтами



Albatros **ABS-100-G** For leaves up to **8 m** (quote A), A/H max = 3



GATE SYSTEM SIZING

$E = 2 \cdot T + B + 81$	OPEN GATE LEAF DIMENSIONS
$F = A - E$	NET OPENING SIZE WITH GATE OPEN
$G = L - 247 + B$	LEVER TUBE LENGTH
$L = (A - 75 - B) \div 2$	LEAF LENGTH
A	OPENING LENGTH
$B = 99 - (T/2)$	DISTANCE FROM THE LEAF TO COLUMN
T	LEAF TUBE SIZE

As indicated in the table, we recommend the use of tubulars of such dimensions as to make the structure sufficiently rigid and avoid bending of the doors during the opening and closing phases. It is also advisable to limit the weight of the gate as much as possible. The choice of the tubular may vary depending on the shape of the doors and of the materials used.

A [mm]	P/2 max [kg]	TUBULAR SIZE MxTxSP [mm] *
1500	150	80x60x3 65x65x3
2000	150	80x60x3 65x65x3
2500	150	80x60x3 75x50x3
3000	150	100x60x3 150x50x3
3500	150	140x60x3 150x50x3
4000	150	140x60x3 150x50x3

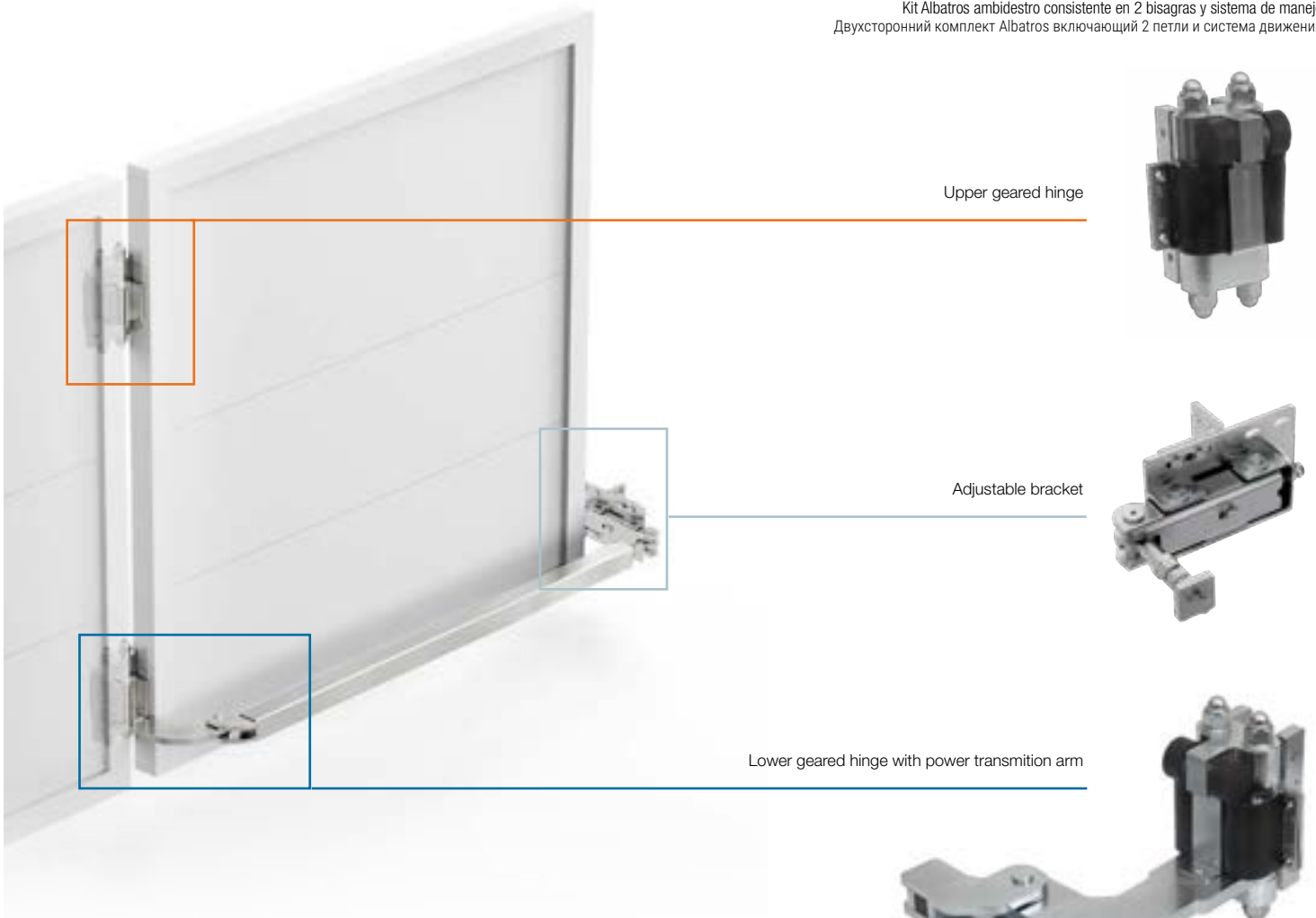
For lengths (A) over 4 m or weights (P) over 300 kg, contact COMUNELLO SERVICE DPT

* Material standard ISO 10799-2 and ISO 12633-2

Code	Art.	Size	Finishing	Pcs/pack	Kg/pack
11640900 001	ABS-100-G	Ambidextrous Grande	Galvanized	1	22,1

ABS-100-G ^{NEW}

Ambidextre Albatros Kit including 2 hinges and movement system
 Kit Albatros ambidextre comprenant 2 paumelles et système de mouvement
 beidhändig Albatros Kit mit 2 Scharniere und Bewegungssystem
 Kit Albatros ambidestro consistente en 2 bisagras y sistema de manejo
 Двухсторонний комплект Albatros включающий 2 петли и система движения



Upper geared hinge

Adjustable bracket

Lower geared hinge with power transmission arm

Code	Art.	Size	Finishing	Pcs/pack	Kg/pack
11640903	ABS-10-G	50X50 sp. 3 - 3m	Raw	1	13,00

ABS-10-G ^{NEW}

Hinge-pillar connection tubular
 Tubulaire de raccordement paumelle-pilier
 Scharnier-Pfeiler Verbindung Schlauchreifen
 Tubular de conexión bisagra-pilar
 Трубное соединение петля - столб

Code	Art.	Size	Finishing	Pcs/pack	Kg/pack
11640905 001	ABS-16	D160 H=30	Galvanized	1	0,8

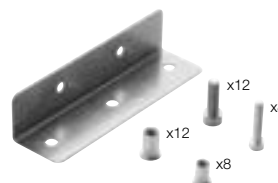
ABS-16 ^{NEW}

Kit molded floor strike plate
 Kit Butoir au sol moulé
 Formgepressten Bodenanschlag Kit
 Kit encuentro para suelo moldeado
 Комплект формованных напольных упоров

Code	Art.	Size	Finishing	Pcs/pack	Kg/pack
11640921 001	ABS-20G	Grande	Galvanized	1	0,09

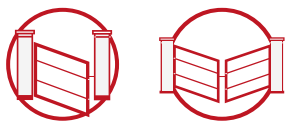
ABS-20-G ^{NEW}

Drilling template kit with rivets and fixing screws
 Kit gabarit de perçage avec rivets et vis de fixation
 Bohrschablone-Set mit Einsätzen und Befestigungsschrauben
 Kit de plantillas de perforación con remaches y tornillos de fijación
 Набор шаблонов для сверления со вставками и крепежными винтами





Life
made
easy



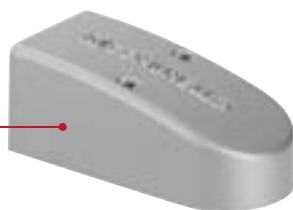
Swing Gates Hardware

 **COMUNELLO****GATE**

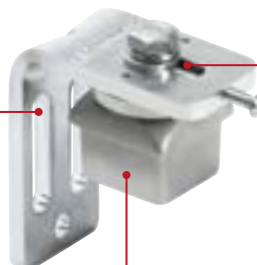


Bearing hinges for square tubulars.

The durable die-cast aluminum cover has been designed to protect the hinge while giving a typical concealed hinge design



The adjustment slots allow you to adjust the height of the hinge even if the fixing hole has already been made.



Slot and adjustment screw allow the door to be raised and lowered to bring it into a horizontal position even after installation.

The insert with a ball bearing inside allows for a smooth and long-lasting movement



The insert is designed with a tapered roller bearing inside suitable for supporting axial loads due to the weight of the door.

Inserts available in versions for aluminum and steel gates

The knurling ensures a secure and stable fixing over time

Code	Art.	Size	Finishing	Capacity Kg	Pcs/pack	Kg/pack
10801645	83-CR-40/50		Aluminium		10	2,10
10801665	83-CR-65		Aluminium		10	3,00

Capacity per couple hinges, L/H=1



83-CR ^{NEW}

Cover for hinge with square insert
 Couverture de gonds avec insert carré
 Kappe für Torband mit Vierkanteinsatz
 Cubierta de bisagras con inserto cuadrado
 Накладка на петлю с квадратной вставкой

Code	Art.	Size	Finishing	Capacity Kg	Pcs/pack	Kg/pack
10801611 001	85L-40.AL	40 - insert Aluminium	Galvanized	150	2	1,70
10801621 001	85L-40.ST	40 - insert Steel	Galvanized	150	2	1,80
10801612 001	85L-50.AL	50 - insert Aluminium	Galvanized	300	2	2,40
10801622 001	85L-50.ST	50 - insert Steel	Galvanized	300	2	2,70
10801613 001	85L-65.AL	65 - insert Aluminium	Galvanized	500	2	3,80
10801623 001	85L-65.ST	65 - insert Steel	Galvanized	500	2	4,60

Capacity per couple hinges, L/H=1



85L Q ^{NEW}

Adjustable upper hinge with bearing, square insert and L plate
 Gond supérieur réglable avec roulement, insert carré et platine à L
 Verstellbares oberes Torband mit Lager, Vierkanteinsatz und L-Platte
 Bisagra superior regulable con rodamiento, inserto cuadrado e placa en L
 Регулируемая верхняя петля с подшипником, квадратной вставкой и пластиной в форме L

Code	Art.	Size	Finishing	Capacity Kg	Pcs/pack	Kg/pack
10801311 001	87L-40.AL	40 - insert Aluminium	Galvanized	150	2	1,70
10801321 001	87L-40.ST	40 - insert Steel	Galvanized	150	2	0,80
10801312 001	87L-50.AL	50 - insert Aluminium	Galvanized	300	2	2,40
10801322 001	87L-50.ST	50 - insert Steel	Galvanized	300	2	2,70
10801313 001	87L-65.AL	65 - insert Aluminium	Galvanized	500	2	3,80
10801323 001	87L-65.ST	65 - insert Steel	Galvanized	500	2	4,60

Capacity per couple hinges, L/H=1



87L Q ^{NEW}

Adjustable bottom hinge with taper roller bearing and square insert
 Gond inférieur réglable avec roulement à rouleaux coniques et insert carré
 Verstellbares unteres Torband mit Kegelrollenlager und Vierkanteinsatz
 Bisagra inferior regulable con cojinete de rodillos cónicos e inserto cuadrado
 Регулируемая нижняя петля с коническим роликоподшипником и квадратной вставкой

Code	Art.	Size	Finishing	Capacity Kg	Pcs/pack	Kg/pack
10801250 001	87PSQ-50.AL	50 - insert Aluminium	Galvanized	300	2	1,31
10801251 001	87PSQ-50.I.AL	50 - insert Aluminium WITH GREASER	Galvanized	300	2	1,31
10801253 001	87PSQ-40.ST	40 - insert Steel	Galvanized	150	2	1,05
10801252 001	87PSQ-50.I.ST	50 - insert Steel WITH GREASER	Galvanized	300	2	1,56

Capacity per couple hinges, L/H=1



87PSQ ^{NEW}

Bottom hinge with bearing, square insert and plate to be screwed
 Gond inférieur avec roulement, insert carré et platine à fixer
 Unterres Torband mit Lager, Vierkanteinsatz und Platte zum Anschrauben
 Bisagra inferior con rodamiento, inserto cuadrado y placa para fijar
 Регулируемая нижняя петля с подшипником, квадратной вставкой и прикрепляемой пластиной

Code	Art.	Size	Finishing	Capacity Kg	Pcs/pack	Kg/pack
10801350 001	87LFQ-50.AL	50 - insert Aluminium	Galvanized	300	2	2,07
10801351 001	87LFQ-50.I.AL	50 - insert Aluminium WITH GREASER	Galvanized	300	2	2,07
10801353 001	87LFQ-40.ST	40 - insert Steel	Galvanized	150	2	1,08
10801352 001	87LFQ-50.I.ST	50 - insert Steel WITH GREASER	Galvanized	300	2	2,31

Capacity per couple hinges, L/H=1



87LFQ ^{NEW}

Bottom hinge with bearing, square insert and pillar fixing
 Gond inférieur avec roulement, insert carré et fixation pillar
 Unterres Torband mit Lager, Vierkanteinsatz und Säulenbefestigung
 Bisagra inferior con rodamiento, inserto cuadrado y fijación de pilares
 Регулируемая нижняя петля с подшипником, квадратной вставкой и прикрепляемой пластиной

73

Lock for gates "Residential"
model easy to fix
Serrure pour portail modèle
"Standard" au montage rapide
Schloss für Tore "Privat" Modell
Einfach zum montieren
Cerradura de montaje
rápido modelo "Privato"
Быстро монтирующийся
замок модель "частный"



Code	Art.	Size	Finishing	Capacity Kg	Pcs/pack	Kg/pack
11210020	73-10	10	Raw		1	1.40
11210025	73-20	20	Raw		1	1.40
11210030	73-30	30	Raw		1	1.40
11210005	73-40	40	Raw		1	1.40
11210010	73-50	50	Raw		1	1.40
11210015	73-60	60	Raw		1	1.40

Code	Art.	Size	Finishing	Capacity Kg	Pcs/pack	Kg/pack
11210020 503	73-10	10	RAL9005		1	1.40
11210025 503	73-20	20	RAL9005		1	1.40
11210030 503	73-30	30	RAL9005		1	1.40
11210005 503	73-40	40	RAL9005		1	1.40
11210010 503	73-50	50	RAL9005		1	1.40
11210015 503	73-60	60	RAL9005		1	1.40

74

Lock for gates "industrial"
model easy to fix
Serrure pour portail modèle
"industriel" au montage rapide
Schloss für Tore "industrie"
Modell Einfach zum montieren
Cerradura de montaje rápido
modelo "industrial"
Быстро монтирующийся замок
модель "промышленные"



Code	Art.	Size	Finishing	Capacity Kg	Pcs/pack	Kg/pack
11210520	74-10	10	Raw		1	1.40
11210525	74-20	20	Raw		1	1.40
11210530	74-30	30	Raw		1	1.40
11210505	74-40	40	Raw		1	1.40
11210510	74-50	50	Raw		1	1.40
11210515	74-60	60	Raw		1	1.40

Code	Art.	Size	Finishing	Capacity Kg	Pcs/pack	Kg/pack
11210520 503	74-10	10	RAL9005		1	1.40
11210525 503	74-20	20	RAL9005		1	1.40
11210530 503	74-30	30	RAL9005		1	1.40
11210505 503	74-40	40	RAL9005		1	1.40
11210510 503	74-50	50	RAL9005		1	1.40
11210515 503	74-60	60	RAL9005		1	1.40

78

Aluminium strike for lock art. 73-74
Gâche en aluminium pour
serrure art. 73-74
Schliessanschlag aus Aluminium
für schloss art. 73-74
Encuentro de aluminio para
cerradura arts. 73 y 74
Стопор алюминиевый для
замков арт.73 и 74



Code	Art.	Size	Finishing	Capacity Kg	Pcs/pack	Kg/pack
11213505	78		Raw		1	0.63
11213505 502	78		RAL9005		1	0,65

Code	Art.	Size	Finishing	Capacity Kg	Pcs/pack	Kg/pack
10800407 001	85M	Medio Ø50	Galvanized	450	4	3.39
10800410 001	85G	Grande Ø70	Galvanized	650	2	3.19

Capacity per couple hinges, L/H=1

**85**

Adjustable upper hinge
with plate to be welded
Gond supérieur réglable avec platine
Verstellbares oberes Torband mit Platte
Bisagra superior regulable con placa
Верхняя регулируемая
петля с пластиной

Code	Art.	Size	Finishing	Capacity Kg	Pcs/pack	Kg/pack
10801607 001	85L-M	Medio Ø 50	Galvanized	350	2	2.40
10801610 001	85L-G	Grande Ø70	Galvanized	500	2	4.11

Capacity per couple hinges, L/H=1

**85L**

Adjustable upper hinge with L plate
Gond supérieur réglable avec platine à L
Verstellbares oberes
Torband mit L-Platte
Bisagra superior regulable
con placa en L
Верхняя регулируемая петля
с пластиной в форме L

Code	Art.	Size	Finishing	Capacity Kg	Pcs/pack	Kg/pack
10801407 001	85PST-M	Medio Ø 50	Galvanized	350	2	2.28
10801410 001	85PST-G	Grande Ø70	Galvanized	500	2	3.22

Capacity per couple hinges, L/H=1

**85PST**

Adjustable upper hinge with
plate to be screwed
Gond supérieur réglable
avec platine à visser
Verstellbares oberes Torband
mit Platte zum Anschrauben
Bisagra superior regulable
con placa para fijar
Верхняя регулируемая петля с
прикрепляемой пластиной

Code	Art.	Size	Finishing	Capacity Kg	Pcs/pack	Kg/pack
10800411 001	85XL	Maxi	Galvanized	4000	1	11.60

Capacity per couple hinges, L/H=1

**85XL**

Heavy upper hinge double adjustment
and plate to be screwed
Gond supérieur lourd double
réglage platine à visser
Schweres oberes Torband
Doppelverstellung und Platte
zum Anschrauben
Bisagra superior pesada doble
regulación y placa para fijar
Верхняя тяжелая петля с
двойным регулированием и
прикрепляемой пластиной

Code	Art.	Size	Finishing	Capacity Kg	Pcs/pack	Kg/pack
10800415 001	85M+87M	KIT Medio	Galvanized	450	2	5.20
10800414 001	85G+87G	KIT Grande	Galvanized	650	2	5.20

**KIT 85+87**

Upper hinge with plate
Gond supérieur avec platine
Oberes Torband mit Platte
Bisagra superior con rodamiento y placa
Верхняя петля с подшипником
и пластиной

NEW

86P

Upper hinge with plate
Gond supérieur avec platine
Oberes Torband mit Platte
Bisagra superior con rodamiento y placa
Верхняя петля с подшипником
и пластиной

Code	Art.	Size	Finishing	Capacity Kg	Pcs/pack	Kg/pack
10800505 001	86P	Piccolo Ø 45	Galvanized	200	4	2.49

Capacity per couple hinges, L/H=1

86G

Upper hinge with plate
Gond supérieur avec platine
Oberes Torband mit Platte
Bisagra superior con rodamiento y placa
Верхняя петля с подшипником
и пластиной

Code	Art.	Size	Finishing	Capacity Kg	Pcs/pack	Kg/pack
10800510 001	86G	Grande Ø70	Galvanized	650	2	3.17

Capacity per couple hinges, L/H=1

86L-P

Upper hinge with L plate
Gond supérieur avec platine à L
Oberes Torband mit L-Platte
Bisagra superior con placa en L
Верхняя петля с пластиной
в форме L

Code	Art.	Size	Finishing	Capacity Kg	Pcs/pack	Kg/pack
10801805 001	86L-P	Piccolo Ø45	Galvanized	200	2	1.94

Capacity per couple hinges, L/H=1

86L-G

Upper hinge with L plate
Gond supérieur avec platine à L
Oberes Torband mit L-Platte
Bisagra superior con placa en L
Верхняя петля с пластиной
в форме L

Code	Art.	Size	Finishing	Capacity Kg	Pcs/pack	Kg/pack
10801810 001	86L-G	Grande Ø70	Galvanized	500	2	4.13

Capacity per couple hinges, L/H=1

86PST

Upper hinge with plate to be screwed
Gond supérieur avec platine à visser
Oberes Torband mit Platte
zum Anschrauben
Bisagra superior con placa para fijar
Верхняя петля с прикрепляемой
пластиной

Code	Art.	Size	Finishing	Capacity Kg	Pcs/pack	Kg/pack
10801710 001	86PST-G	Grande Ø70	Galvanized	500	2	3.79

Capacity per couple hinges, L/H=1

Code	Art.	Size	Finishing	Capacity Kg	Pcs/pack	Kg/pack
10801005 001	87P	Piccolo Ø 45	Galvanized	200	4	1.65
10801007 001	87M	Medio Ø 50	Galvanized	450	4	1.76
10801010 001	87G	Grande Ø70	Galvanized	650	2	2.01

Capacity per couple hinges, L/H=1

**87**

Bottom hinge with thrust bearing
Gond inférieur avec roulement de butée
Unteres Torband mit Drucklager
Bisagra inferior con rodamiento de empuje
Нижняя петля с упорным подшипником

Code	Art.	Size	Finishing	Capacity Kg	Pcs/pack	Kg/pack
10801305 001	87L-P	Piccolo Ø 45	Galvanized	200	4	2.94
10801307 001	87L-M	Medio Ø 50	Galvanized	350	4	4.02
10801310 001	87L-G	Grande Ø70	Galvanized	500	2	4.20

Capacity per couple hinges, L/H=1

**87L**

Bottom hinge with thrust bearing and L plate
Gond inférieur avec roulement de butée et platine à L
Unteres Torband mit Drucklager und L-Platte
Bisagra inferior con rodamiento de empuje y placa en L
Нижняя петля с упорным подшипником и пластиной в форме L

Code	Art.	Size	Finishing	Capacity Kg	Pcs/pack	Kg/pack
10801205 001	87PST-P	Piccolo Ø 45	Galvanized	200	2	1.15
10801207 001	87PST-M	Medio Ø 50	Galvanized	350	2	0.88
10801210 001	87PST-G	Grande Ø70	Galvanized	500	2	2.50

Capacity per couple hinges, L/H=1

**87PST**

Bottom hinge with thrust bearing and plate to be screwed
Gond inférieur avec roulement de butée et platine à fixer
Unteres Torband mit Drucklager und Platte zum Anschrauben
Bisagra inferior con rodamiento de empuje y placa para fijar
Нижняя петля с упорным подшипником и прикрепляемой пластиной

Code	Art.	Size	Finishing	Capacity Kg	Pcs/pack	Kg/pack
10801011 001	87XL	Maxi	Galvanized	4000	1	5.50

Capacity per couple hinges, L/H=1

**87XL**

Heavy bottom hinge with thrust bearing and plate to be screwed
Gond inférieur lourd avec roulement de butée et platine à visser
Schweres oberes Torband mit Drucklager und Platte zum Anschrauben
Bisagra inferior pesada con rodamiento de empuje y placa
Тяжелая нижняя петля с упорным подшипником и пластиной

Code	Art.	Size	Finishing	Capacity Kg	Pcs/pack	Kg/pack
10801505 001	88-40	Ø 33	Galvanized	200	2	3.17
10801510 001	88-50	Ø 43	Galvanized	450	2	3.46
10801515 001	88-60	Ø 52	Galvanized	650	2	4.46

Capacity per couple hinges, L/H=1

**88**

Upper hinge with square pin and plate to be welded
Gond supérieur avec pivot carré et platine à souder
Oberes Torband mit viereckigem Stift und Platte zum Schweißen
Bisagra superior perno cuadrado placa para soldar
Верхняя регулируемая петля квадратный штифт с привариваемой пластиной

88L

Upper hinge with square pin and L plate to be screwed
Gond supérieur avec pivot carré et platine à L

Oberes Torband mit viereckigem Stift und L-Platte zum Anschrauben

Bisagra superior perno cuadrado placa en L para fijar

Верхняя регулируемая петля квадратный штифт с прикрепляемой пластиной в форме L



Code	Art.	Size	Finishing	Capacity Kg	Pcs/pack	Kg/pack
10802105 001	88L-40	Ø 33	Galvanized	200	2	3.84
10802110 001	88L-50	Ø 43	Galvanized	350	2	4.14
10802115 001	88L-60	Ø 52	Galvanized	500	2	4.66

Capacity per couple hinges, L/H=1

88PST

Upper hinge with square pin and plate to be screwed

Gond supérieur avec pivot carré et platine à visser

Oberes Torband mit viereckigem Stift und Platte zum Anschrauben

Bisagra superior perno cuadrado placa en L para fijar

Верхняя регулируемая петля квадратный штифт с прикрепляемой пластиной в форме L



Code	Art.	Size	Finishing	Capacity Kg	Pcs/pack	Kg/pack
10802205 001	88PST-40	Ø 33	Galvanized	200	2	3.60
10802210 001	88PST-50	Ø 43	Galvanized	350	2	3.90
10802215 001	88PST-60	Ø 52	Galvanized	500	2	4.90

Capacity per couple hinges, L/H=1

89

Bottom big pin with bearing
Pivot grand inférieur avec roulement

Unterer Maxibolzen mit Kugellager

Maxi-perno inferior con cojinete

Нижний увеличенный штифт с подшипником



Code	Art.	Size	Finishing	Capacity Kg	Pcs/pack	Kg/pack
10802005	89	Ø40	Raw	200	2	2.55
10802010	89	Ø50	Raw	450	2	2.76
10802015	89	Ø60	Raw	650	2	3.36

Capacity per couple hinges, L/H=1

90

Hinge with wing

Gond avec aile paumelle

Torband mit Lasche

Bisagra con pala y pasador

Петля с полкой шарнирного соединения



Code	Art.	Size	Finishing	Capacity Kg	Pcs/pack	Kg/pack
10802505	90P	Piccolo	Raw	200	20	8.08
10802510	90G	Grande	Raw	300	10	6.07

Capacity per couple hinges, L/H=1

92G

Hinge with wing and bearing

Gond avec aile paumelle et roulement

Torband mit Lasche und Kugellager

Bisagra con pala y rodamiento

Петля с полкой шарнирного соединения и подшипником



Code	Art.	Size	Finishing	Capacity Kg	Pcs/pack	Kg/pack
10803005	92G	Grande	Raw	300	10	6.02

Capacity per couple hinges, L/H=1

94

Hinge with wing and plate to be screwed

Gond avec aile paumelle et platine à visser

Torband mit Lasche und Platte zum Anschrauben

Bisagra con pala y placa para fijar

Петля с полкой шарнирного соединения с прикрепляемой пластиной



Code	Art.	Size	Finishing	Capacity Kg	Pcs/pack	Kg/pack
10803505 001	94P	Piccolo	Galvanized	200	20	15.46
10803510 001	94G	Grande	Galvanized	300	10	9.97



Capacity per couple hinges, L/H=1

Code	Art.	Size	Finishing	Capacity Kg	Pcs/pack	Kg/pack
10804005 001	96G	Grande	Galvanized	300	10	9.66

Capacity per couple hinges, L/H=1

**96G**

Hinge with wing, bearing and plate to be screwed
 Gond avec aile paumelle et roulement avec platine à visser
 Torband mit Lasche, Kugellager und Platte zum Anschrauben
 Bisagra con pala y rodamiento con placa para fijar
 Петля с полкой шарнирного соединения и подшипником с прикрепляемой пластиной

Code	Art.	Size	Finishing	Capacity Kg	Pcs/pack	Kg/pack
10804505	100P	Piccolo	Raw	100	20	7.24
10804505 001	100P	 Piccolo	Galvanized	100	20	7.24
10804510	100G	Grande	Raw	200	10	5.54
10804510 001	100G	 Grande	Galvanized	200	10	5.54

Capacity per couple hinges, L/H=1

**100**

Hinge with u bolt
 Gond avec crampillon
 Torband mit U-Bügel
 Bisagra con pletina en U
 Петля со скобой

Code	Art.	Size	Finishing	Capacity Kg	Pcs/pack	Kg/pack
10804605 001	100PST-P	Piccolo	Galvanized	100	20	14.60
10804610 001	100PST-G	Grande	Galvanized	200	10	9.14

Capacity per couple hinges, L/H=1

**100PST**

Hinge with u bolt and plate to be screwed
 Gond avec crampillon et platine à visser
 Torband mit U-Bügel und Platte zum Anschrauben
 Bisagra con pletina en U y placa para fijar
 Петля со скобой и прикрепляемая пластина

Code	Art.	Size	Finishing	Capacity Kg	Pcs/pack	Kg/pack
10805005	105-20	H=98	Raw	210	10	8.48

Capacity per couple hinges, L/H=1

**105**

Bottom pin
 Pivot inférieur
 Unterer Drehstift
 Pernio inferior
 Нижний штифт

Code	Art.	Size	Finishing	Capacity Kg	Pcs/pack	Kg/pack
10805105 001	105PST-20	H=96	Galvanized	200	5	4.52

Capacity per couple hinges, L/H=1

**105PST**

Spherical pin and plate to be screwed
 Pivot sphérique et platine à visser
 Drehstift und Platte zum Anschrauben
 Perno con bola y placa para fijar
 Сферический штифт и прикрепляемая пластина

106

Spherical pin and adjustable plate
Pivot sphérique et platine réglable
Kugelstift und verstellbare Platte
Perno con bola y placa regulable
Сферический штифт и регулируемая пластина



Code	Art.	Size	Finishing	Capacity Kg	Pcs/pack	Kg/pack
10805205 001	106-20	H=124	Galvanized	150	6	5.03
10805210 001	106-27	H=154	Galvanized	200	2	2.97

Capacity per couple hinges, L/H=1

106PST

Adjustable spherical pin and plate to be screwed
Pivot sphérique réglable et platine à visser
Verstellbarer Kugelstift und Platte zum Anschrauben
Perno con bola regulable y placa para fijar
Сферический регулируемый штифт и прикрепляемая пластина



Code	Art.	Size	Finishing	Capacity Kg	Pcs/pack	Kg/pack
10805305 001	106PST-20	H=124	Galvanized	150	2	2.40
10805310 001	106PST-27	H=154	Galvanized	200	2	3.69

Capacity per couple hinges, L/H=1

110

Perno inferiore
Bottom pin
Pivot inférieur
Unterer Drehstift
Perno inferior
Нижний штифт



Code	Art.	Size	Finishing	Capacity Kg	Pcs/pack	Kg/pack
10805505	110-20		Raw	200	20	4.12
10805505 001	110-20		Galvanized	200	20	4.12
10805510	110-24		Raw	300	10	3.34
10805510 001	110-24		Galvanized	300	10	3.34
10805515	110-27		Raw	450	10	4.58

Capacity per couple hinges, L/H=1

115

Plate for bottom pin
Platine pour pivot inférieur
Platte für unteren Drehstift
Placa para perno inferior
Пластина для нижнего штифта



Code	Art.	Size	Finishing	Capacity Kg	Pcs/pack	Kg/pack
10806005	115-20,5		Raw	200	20	8.10
10806005 001	115-20,5		Galvanized	200	20	8.10
10806010	115-24,5		Raw	300	10	7.37
10806010 001	115-24,5		Galvanized	300	10	7.37
10806015	115-28		Raw	450	10	7.18

Capacity per couple hinges, L/H=1




115PST

Base plate to be screwed for bottom pin
Plaque de base à visser avec pivot inférieur
Bodenplatte zum Anschrauben für unteren Drehstift
Placa de base para fijar para perno inferior
Базовая прикрепляемая пластина для нижнего штифта

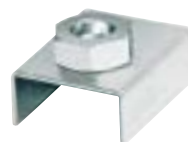


Code	Art.	Size	Finishing	Capacity Kg	Pcs/pack	Kg/pack
10806405 001	115PST-20,5		Galvanized	150	5	2.75
10806410 001	115PST-24,5		Galvanized	240	5	2.69
10806415 001	115PST-28		Galvanized	300	5	2.64




Capacity per couple hinges, L/H=1

Code	Art.	Size	Finishing	Capacity Kg	Pcs/pack	Kg/pack
10807305 001	117-20,5		Galvanized	125	12	4.78
10807310 001	117-24,5		Galvanized	200	12	4.96
10807315 001	117-28		Galvanized	250	12	5.68

Capacity per couple hinges, L/H=1

**117**

Adjustable plate for bottom pin
 Plaque réglable pour pivot inférieur
 Verstellbare Platte für unteren Drehstift
 Placa regulable para perno inferior
 Регулируемая пластина для нижнего штифта

Code	Art.	Size	Finishing	Capacity Kg	Pcs/pack	Kg/pack
10807405 001	117PST-20,5		Galvanized	125	2	1.52
10807410 001	117PST-24,5		Galvanized	200	2	1.91
10807415 001	117PST-28		Galvanized	250	2	1.67

Capacity per couple hinges, L/H=1

**117PST**

Adjustable plate for bottom pin to be screwed
 Plaque réglable pour pivot inférieur à visser
 Verstellbare Platte für unteren Drehstift zum Anschrauben
 Placa regulable para perno inferior para fijar
 Прикрепляемая регулируемая пластина для нижнего штифта

Code	Art.	Size	Finishing	Capacity Kg	Pcs/pack	Kg/pack
10806501 001	120-M16	M16 C37 R50-70	Galvanized	120	20	8.60
10806500 001	120-M18	M18 C37 R50-70	Galvanized	125	20	8.60
10806505 001	120-M20	M20 C37 R50-70	Galvanized	150	20	8.64
10806505 018	120-M20 HS700	M20 C37 R50-70	CS HS-700	150	20	8.40
10806509 001	120-M22	M22 C49 R55-80	Galvanized	220	10	6.86
10806510 001	120-M24	M22 C49 R55-80	Galvanized	225	10	7.39
10806510 018	120-M24 HS700	M22 C49 R55-80	CS HS-700	225	10	7.14

Capacity per couple hinges, L/H=1

**120**

Hinge with u-bolt and bush
 Gond avec crampillon et douille
 Torband mit U-Bügel und Buchse
 Bisagra con pletina en U y casquillo
 Петля со скобой и втулкой

Code	Art.	Size	Finishing	Capacity Kg	Pcs/pack	Kg/pack
10807004 001	125-M18	M18 C37 R43-73	Galvanized	125	20	10.00
10807005 001	125-M20	M20 C37 R43-73	Galvanized	150	20	10.24
10807009 001	125-M22	M22 C49 R50-75	Galvanized	220	10	8.58
10807010 001	125-M24	M22 C49 R50-75	Galvanized	225	10	8.58

Capacity per couple hinges, L/H=1

**125**

Hinge to be cemented with u-bolt
 Gond à sceller avec crampillon
 Torband mit Mauerhülse und U-Bügel
 Bisagra con pletina en U para cementar
 Петля со скобой для посадки на цемент

Code	Art.	Size	Finishing	Capacity Kg	Pcs/pack	Kg/pack
10807504 001	130-M18	M18 C37 L=182	Galvanized	125	20	11.00
10807505 001	130-M20	M20 C37 L=182	Galvanized	150	20	12.68
10807505 018	130-M20 HS700	M20 C37 L=182	CS HS-700	150	20	12.10
10807509 001	130-M22	M22 C49 L=187	Galvanized	220	10	9.30
10807510 001	130-M24	M24 C49 L=187	Galvanized	225	10	10.09

Capacity per couple hinges, L/H=1

**130**

Hinge with long bar and u-bolt
 Gond avec barre long filetée et crampillon
 Torband mit langem Gewinde und U-Bügel
 Bisagra con pletina en U con varilla roscada larga
 Петля со скобой с длинным резьбовым стержнем



130-WH

Hinges for wooden gates



Code	Art.	Size	Finishing	Capacity Kg	Pcs/pack	Kg/pack
10819616 046	130-WH-M20DX	L300 M20 R20-90	HS 700 +powder coating	150	2	4,9
10819621 046	130-WH-M24DX	L600 M24 R20-90	HS 700 +powder coating	225	2	8

Capacity per couple hinges, L/H=1



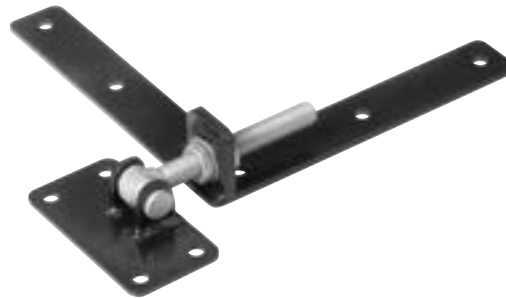
130-WH-DX NEW

Right "L" shaped hinge for wooden gates
 Charnière droite en forme de «L» pour portails en bois
 Rechter Torband mit "L" Profil für Holztor
 Bisagra derecha en forma de "L" para puertas de madera
 Правая L-образная петля для деревянных ворот



Code	Art.	Size	Finishing	Capacity Kg	Pcs/pack	Kg/pack
10819617 046	130-WH-M20SX	L300 M20 R20-90	HS 700 +powder coating	150	2	4,9
10819622 046	130-WH-M24SX	L600 M24 R20-90	HS 700 +powder coating	225	2	8

Capacity per couple hinges, L/H=1



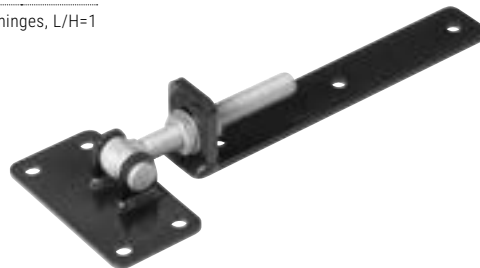
130-WH-SX NEW

Left "L" shaped hinge for wooden gates
 Charnière gauche en forme de «L» pour portails en bois
 Linker Torband mit "L" Profil für Holztor
 Bisagra izquierda en forma de "L" para puertas de madera
 Левая L-образная петля для деревянных ворот



Code	Art.	Size	Finishing	Capacity Kg	Pcs/pack	Kg/pack
10819615 046	130-WH-M20	L300 M20 R20-90	HS 700 +powder coating	150	4	8
10819620 046	130-WH-M24	L600 M24 R20-90	HS 700 +powder coating	225	4	12

Capacity per couple hinges, L/H=1



130-WH NEW

Hinge for wooden gates
 Charnière pour portails en bois
 Torband für Holztor
 Bisagra para portones de madera
 Петля для деревянных ворот



Cover System HS-700

applied to protect metallic parts from corrosion.

- Water-based chemistry
- Chrome free
- High corrosion resistance

Salt Spray Test
(ISO 9227/ASTM B117)

> 240 hours without white rust

> 720 hours without red rust

135



Hinge with wings and bush
Gond avec ailes et douille
Torband mit Lasche und Buchse
Bisagra con palas y casquillo
Петля с полками и втулкой

Code	Art.	Size	Finishing	Capacity Kg	Pcs/pack	Kg/pack
10808001 001	135-M16	M16 C39 R50-70	Galvanized	120	20	7.90
10808005 001	135-M18	M18 C39 R50-75	Galvanized	125	20	7.90
10808009 001	135-M20	M20 C39 R50-75	Galvanized	150	20	8.94
10808010 001	135-M22	M22 C53 R55-80	Galvanized	220	10	7.04
10808014 001	135-M24	M24 C53 R60-80	Galvanized	225	10	8.02
10808015 001	135-M27	M24 C60 R62-98	Galvanized	320	10	11.00

Capacity per couple hinges, L/H=1

140



Hinge with wings to be cemented
Gond à sceller avec ailes
Torband mit Mauerhülse und Laschen
Bisagra con palas para cementar
Петля с полками для посадки на цемент

Code	Art.	Size	Finishing	Capacity Kg	Pcs/pack	Kg/pack
10808505 001	140-M18	M18 C39 R50-75	Galvanized	125	20	9.24
10808509 001	140-M20	M20 C39 R50-75	Galvanized	150	20	9.50
10808510 001	140-M22	M22 C53 R55-80	Galvanized	220	10	7.90
10808512 001	140-M24	M24 C53 R60-80	Galvanized	225	10	8.50
10808515 001	140-M27	M24 C60 R62-98	Galvanized	320	10	12.08

Capacity per couple hinges, L/H=1

150



Hinge with long bar and wings
Gond avec barre long filetée et ailes
Torband mit langem Gewinde und Laschen
Bisagra con palas con varilla roscada larga
Петля с полками с длинным резьбовым стержнем

Code	Art.	Size	Finishing	Capacity Kg	Pcs/pack	Kg/pack
10809005 001	150-M18	M18 C39 R50-75	Galvanized	125	20	10.84
10809009 001	150-M20	M20 C39 R50-75	Galvanized	150	20	11.00
10809010 001	150-M22	M22 C53 R55-80	Galvanized	220	10	9.48
10809012 001	150-M24	M24 C53 R60-80	Galvanized	225	10	10.00

Capacity per couple hinges, L/H=1

154



Plate "Rustica" with adjustable nut
Platine "Rustica" avec écrou réglable
Platte "Rustica" mit verstellbarer Mutter
Placa "Rustica" (Rústica) con tuerca regulable
Плита "Rustica" с регулируемой гайкой

Code	Art.	Size	Finishing	Capacity Kg	Pcs/pack	Kg/pack
10824705 001	154-M18	M18	Galvanized		10	4.77
10824710 001	154-M20	M20	Galvanized		10	4.75
10824715 001	154-M22	M22	Galvanized		10	4.58
10824720 001	154-M24	M24	Galvanized		10	4.77
10824725 001	154-M27	M27	Galvanized		10	4.77

Capacity per couple hinges, L/H=1

154R-CV

PATENTED
Hinge with u-bolt and Plate "Rustica" double adjustment on 2 axis x-y
Gond avec crampillon et Platine "Rustica" avec double réglage sur les axes x-y
Torband mit U-Bügel und Platte "Rustica" 2 Achsen x-y Doppelverstellung
Bisagra con pletina en U y Placa "Rustica" (Rústica) doble regulación en 2 ejes x-y
Петля со скобой и Пластина "Rustica" с двойным регулированием по 2 осям x-y



Code	Art.	Size	Finishing	Capacity Kg	Pcs/pack	Kg/pack
10824405 001	154R-CV-M18	M18 C37 R82-86	Galvanized	125	20	20.36
10824410 001	154R-CV-M20	M20 C37 R87-90	Galvanized	150	20	20.36
10824415 001	154R-CV-M22	M22 C49 R94-96	Galvanized	220	10	14.22
10824420 001	154R-CV-M24	M24 C49 R95-100	Galvanized	225	10	14.54

Capacity per couple hinges, L/H=1

155



Hinge with u-bolt, round plate and adjustable nut
Gond avec crampillon, platine ronde et écrou réglable
Torband mit U-Bügel, runde Platte und verstellbare Mutter
Bisagra con pletina en U, placa redonda y tuerca ajustable
Петля со скобой, круглой пластиной и регулируемой гайкой

Code	Art.	Size	Finishing	Capacity Kg	Pcs/pack	Kg/pack
10809501 001	155-M16	M16 C37 R50-70	Galvanized	120	20	10.00
10809501 001	155-M18	M18 C37 R70-90	Galvanized	125	20	10.50
10809505 001	155-M20	M20 C37 R70-90	Galvanized	150	20	11.00
10809512 001	155-M22	M22 C49 R75-100	Galvanized	220	10	8.30
10809510 001	155-M24	M24 C49 R75-100	Galvanized	225	10	8.15

Capacity per couple hinges, L/H=1

Code	Art.	Size	Finishing	Capacity Kg	Pcs/pack	Kg/pack
10809502 001	155B-M16	M16 C37 R50-70	Galvanized	120	20	10.00
10809503 001	155B-M18	M18 C37 R70-90	Galvanized	125	20	10.50
10809508 001	155B-M20	M20 C37 R70-90	Galvanized	150	20	11.00
10809509 001	155B-M22	M22 C49 R75-100	Galvanized	220	10	8.30
10809511 001	155B-M24	M24 C49 R75-100	Galvanized	225	10	8.15

Capacity per couple hinges, L/H=1

**155B**

Hinge with u-bolt and adjustable nut
Gond avec crampillon et écrou réglable
Torband mit U-Bügel und verstellbare Mutter
Bisagra con pletina en U y tuercas regulable
Петля со скобой и регулируемой гайкой

Code	Art.	Size	Finishing	Capacity Kg	Pcs/pack	Kg/pack
10824505 001	157-M18	100X70	Galvanized		10	3.28
10824510 001	157-M20	100X70	Galvanized		10	3.18
10824515 001	157-M22	100X70	Galvanized		10	3.30
10824520 001	157-M24	100X70	Galvanized		10	3.26

Capacity per couple hinges, L/H=1

**157**

Plate "Rettangolare" with adjustable nut
Platine "Rettangolare" avec écrou réglable
Platte "Rettangolare" mit verstellbarer Mutter
Placa "Rettangolare" (Rectangular) con tuercas regulable
Плита "Rettangolare" с регулируемой гайкой

Code	Art.	Size	Finishing	Capacity Kg	Pcs/pack	Kg/pack
10824905 001	157AL-M18	M18 C37 R62-85	Galvanized	125	20	14.46
10824910 001	157AL-M20	M20 C37 R62-85	Galvanized	150	20	15.30
10824915 001	157AL-M22	M22 C49 R70-95	Galvanized	220	10	10.34
10824920 001	157AL-M24	M24 C49 R70-100	Galvanized	225	10	11.28

Capacity per couple hinges, L/H=1

**157AL**

Hinge with wings and Plate "Rettangolare" with adjustable nut
Gond avec ailes et platine "Rettangolare" avec écrou réglable
Torband mit Laschen und platte "Rettangolare" mit verstellbarer Mutter
Bisagra con palas y placa "Rettangolare" (Rectangular) con tuercas regulable
Петля с полками и пластиной "Rettangolare" с регулируемой гайкой

Code	Art.	Size	Finishing	Capacity Kg	Pcs/pack	Kg/pack
10824605 001	157CV-M18	M18 C37 R62-85	Galvanized	125	20	15.60
10824610 001	157CV-M20	M20 C37 R62-85	Galvanized	150	20	15.00
10824615 001	157CV-M22	M22 C49 R70-95	Galvanized	220	10	10.16
10824620 001	157CV-M24	M24 C49 R70-100	Galvanized	225	10	10.65

Capacity per couple hinges, L/H=1

**157CV**

Hinge with u-bolt and Plate "Rettangolare" with adjustable nut
Gond avec crampillon et platine "Rettangolare" avec écrou réglable
Torband mit U-Bügel und platte "Rettangolare" mit verstellbarer Mutter
Bisagra con pletina en U y placa "Rettangolare" (Rectangular) con tuercas regulable
Петля со скобой и пластиной "Rettangolare" с регулируемой гайкой

Code	Art.	Size	Finishing	Capacity Kg	Pcs/pack	Kg/pack
10823501 001	159-M16	100X100	Galvanized		10	4.50
10823505 001	159-M18	100X100	Galvanized		10	4.50
10823510 001	159-M20	100X100	Galvanized		10	4.50
10823515 001	159-M22	100X100	Galvanized		10	4.50
10823520 001	159-M24	100X100	Galvanized		10	4.27
10823525 001	159-M27	100X100	Galvanized		10	8.00

Capacity per couple hinges, L/H=1

**159**

Plate "Quadrata" with adjustable nut
Platine "Quadrata" avec écrou réglable
Platte "Quadrata" mit verstellbarer Mutter
Placa "Quadrata" (Cuadrada) con tuercas regulable
Петля "Quadrata" с регулируемой гайкой

Code	Art.	Size	Finishing	Capacity Kg	Pcs/pack	Kg/pack
10823405 001	159R-CV-M18	M18 C37 R82-96	Galvanized	125	20	19.34
10823410 001	159R-CV-M20	M20 C37 R87-96	Galvanized	150	20	19.10
10823415 001	159R-CV-M22	M22 C49 R94-103	Galvanized	220	10	13.73
10823420 001	159R-CV-M24	M24 C49 R95-108	Galvanized	225	10	14.05

Capacity per couple hinges, L/H=1

**159R-CV**

PATENTED

Hinge with u-bolt and Plate "Quadrata" double adjustment on 2 axis x-y
Gond avec crampillon et Platine "Quadrata" avec double réglage sur les axes x-y
Torband mit U-Bügel und Platte "Quadrata" 2 Achsen x-y Doppelverstellung
Bisagra con pletina en U y Placa "Quadrata" (Cuadrada) doble regulación en 2 ejes x-y
Петля со скобой и Пластина "Quadrata" с двойным регулированием по 2 осям x-y

160

Hinge with wings, round plate and adjustable nut
Gond avec ailes, platine ronde et écrou réglable
Torband mit Laschen, runde Platte und verstellbare Mutter
Bisagra con palas, placa redonda y tuerca regulable
Увеличенная петля с полками и регулируемой гайкой



Code	Art.	Size	Finishing	Capacity Kg	Pcs/pack	Kg/pack
10810004 001	160-M16	M16 C39 R70-85	Galvanized	120	20	8.14
10810005 001	160-M18	M18 C39 R70-85	Galvanized	125	20	8.14
10810009 001	160-M20	M20 C39 R70-85	Galvanized	150	20	11.00
10810010 001	160-M22	M22 C53 R70-95	Galvanized	220	10	7.44
10810012 001	160-M24	M24 C53 R70-95	Galvanized	225	10	10.00
10810015 001	160-M27	M24 C60 R80-117	Galvanized	320	10	10.50

Capacity per couple hinges, L/H=1

160B

Hinge with wings and adjustable nut
Gond avec ailes et écrou réglable
Torband mit Laschen und verstellbare Mutter
Bisagra con palas y tuerca regulable
Петля с полками и регулируемой гайкой



Code	Art.	Size	Finishing	Capacity Kg	Pcs/pack	Kg/pack
10810007 001	160B-M16	M16 C39 R70-85	Galvanized	120	20	8.14
10810008 001	160B-M18	M18 C39 R70-85	Galvanized	125	20	8.14
10810011 001	160B-M20	M20 C39 R70-85	Galvanized	150	20	11.00
10810013 001	160B-M22	M22 C53 R70-95	Galvanized	220	10	7.44
10810014 001	160B-M24	M24 C53 R70-95	Galvanized	225	10	10.00
10810016 001	160B-M27	M24 C60 R80-117	Galvanized	320	10	10.50

Capacity per couple hinges, L/H=1

160XL

Hinge maxi with wings and adjustable nut
Gond maxi avec ailes et écrou réglable
Torband maxi mit Laschen und verstellbare Mutter
Bisagra maxi con palas y tuerca regulable
Увеличенная петля с полками и регулируемой гайкой



Code	Art.	Size	Finishing	Capacity Kg	Pcs/pack	Kg/pack
10801912 001	160XL	M36 R55-90	Galvanized	600	2	6.95

Capacity per couple hinges, L/H=1

161

Hinge with u bolt and plate with adjustable nut
Gond avec crampillon et platine avec écrou réglable
Torband mit U-Bügel und Platte mit verstellbarer Mutter
Bisagra con pletina en U y placa con tuerca regulable
Петля со скобой и пластиной с регулируемой гайкой



Code	Art.	Size	Finishing	Capacity Kg	Pcs/pack	Kg/pack
10810301 001	161-M16	M16 C37 R62-85	Galvanized	120	20	14.50
10810300 001	161-M18	M18 C37 R62-85	Galvanized	125	20	17.60
10810305 001	161-M20	M20 C37 R60-85	Galvanized	150	20	15.78
10810309 001	161-M22	M22 C49 R60-85	Galvanized	220	10	9.30
10810310 001	161-M24	M24 C49 R70-100	Galvanized	225	10	10.70

Capacity per couple hinges, L/H=1

162

Hinge with u bolt and plate with bush
Gond avec crampillon et platine avec douille
Torband mit U-Bügel und Platte mit Buchse
Bisagra con pletina en U y placa con casquillo
Петля со скобой и пластиной со втулкой



Code	Art.	Size	Finishing	Capacity Kg	Pcs/pack	Kg/pack
10810505 001	162-M20	M20 C37 R60-85	Galvanized	150	20	15.64
10810510 001	162-M24	M24 C49 R70-100	Galvanized	225	10	10.90

Capacity per couple hinges, L/H=1

163

Hinge with wings and plate with adjustable nut
Gond avec ailes et platine avec écrou réglable
Torband mit Laschen und Platte mit verstellbarer Mutter
Bisagra con palas y placa con tuerca regulable
Петля с полками и пластиной с регулируемой гайкой



Code	Art.	Size	Finishing	Capacity Kg	Pcs/pack	Kg/pack
10810801 001	163-M16	M16 C39 R62-85	Galvanized	120	20	14.00
10810805 001	163-M18	M18 C39 R62-85	Galvanized	125	20	14.22
10810809 001	163-M20	M20 C39 R60-85	Galvanized	150	20	15.40
10810810 001	163-M22	M22 C53 R60-85	Galvanized	220	10	10.74
10810814 001	163-M24	M24 C53 R70-100	Galvanized	225	10	12.29
10810815 001	163-M27	M27 C60 R80-117	Galvanized	320	10	17.73

Capacity per couple hinges, L/H=1

Code	Art.	Size	Finishing	Capacity Kg	Pcs/pack	Kg/pack
10811005 001	164-M18	M18 C39 R60-85	Galvanized	125	20	15.04
10811010 001	164-M22	M22 C53 R70-95	Galvanized	220	10	8.45
10811015 001	164-M27	M27 C60 R80-117	Galvanized	320	10	16.30

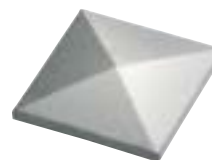
Capacity per couple hinges, L/H=1



164

Hinge with wings and plate with bush
Gond avec ailes et platine avec douille
Torband mit Laschen und Platte mit Buchse
Bisagra con palas y placa con casquillo
Петля с полками и пластиной со втулкой

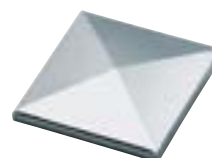
Code	Art.	Size	Finishing	Capacity Kg	Pcs/pack	Kg/pack
12100505	165-30	30X30	Raw		50	1.45
12100510	165-40	40X40	Raw		50	2.20
12100515	165-50	50X50	Raw		50	3.15
12100520	165-60	60X60	Raw		50	4.30
12100525	165-80	80X80	Raw		50	6.70
12100530	165-100	100X100	Raw		50	9.30
12100535	165-120	120X120	Raw		25	7.75
12100540	165-150	150X150	Raw		25	11.00
12100550	165-200	200X200	Raw		20	15.18



165

Square pillar cover raw
Couvre pilastre carré brut
Viereckiger Pfostendeckel
Cubrepilar cuadrado bruto
Необработанный квадратный концевик для стойки

Code	Art.	Size	Finishing	Capacity Kg	Pcs/pack	Kg/pack
12100505 001	165Z-30	30X30	Galvanized		50	1.45
12100510 001	165Z-40	40X40	Galvanized		50	2.20
12100515 001	165Z-50	50X50	Galvanized		50	3.00
12100520 001	165Z-60	60X60	Galvanized		50	4.30
12100525 001	165Z-80	80X80	Galvanized		50	6.75
12100530 001	165Z-100	100X100	Galvanized		50	9.80
12100535 001	165Z-120	120X120	Galvanized		25	7.75
12100540 001	165Z-150	150X150	Galvanized		25	11.80
12100550 001	165Z-200	200X200	Galvanized		20	15.18



165Z

Square pillar cover galvanized
Couvre pilastre carré zingué
Viereckiger Pfostendeckel Verzinkt
Cubrepilar cuadrado galvanizado
Оцинкованный квадратный концевик

Code	Art.	Size	Finishing	Capacity Kg	Pcs/pack	Kg/pack
12100205	165N-12	12X12	Nylon		200	0.18
12100206	165N-15	15X15	Nylon		200	0.23
12100210	165N-20	20X20	Nylon		200	0.46
12100215	165N-25	25X25	Nylon		100	0.31
12100216	165N-30	30X30	Nylon		100	0.45
12100217	165N-35	35X35	Nylon		50	0.30
12100220	165N-40	40X40	Nylon		50	0.44
12100221	165N-45	45X45	Nylon		150	1.42
12100225	165N-50	50X50	Nylon		150	1.68
12100226	165N-60	60X60	Nylon		100	2.85
12100227	165N-70	70X70	Nylon		50	2.72
12100228	165N-80	80X80	Nylon		50	1.61
12100229	165N-100	100X100	Nylon		50	3.45



165N

Square plastic pillar cover
Couvre pilier en plastique carré
Viereckiger Pfostendeckel aus Kunststoff
Cubrepilar cuadrado en plastico
Пластиковый квадратный концевик

Code	Art.	Size	Finishing	Capacity Kg	Pcs/pack	Kg/pack
12100560	165R-20X30	20X30	Raw		100	1.80
12100561	165R-20X40	20X40	Raw		100	2.00
12100562	165R-30X50	30X50	Raw		100	4.40
12100563	165R-30X60	30X60	Raw		100	4.00
12100564	165R-40X60	40X60	Raw		90	4.30
12100565	165R-40X80	40X80	Raw		100	6.70



165R

Rectangular pillar cover raw
Couvre pilier rectangulaire brut
Rechteckig Pfostendeckel
Cubrepilar rectangular en acero bruto
Необработанный прямоугольный концевик

165RN

Rectangular plastic pillar cover
Couvre pilier en plastique rectangulaire
Rechteckig Pfostendeckel aus Kunststoff
Cubrepillar rectangular en plastic
Пластиковый прямоугольный концевик



Code	Art.	Size	Finishing	Capacity Kg	Pcs/pack	Kg/pack
12100303	165RN-15X30	15X30	Nylon		50	1.35
12100304	165RN-20X100	20X100	Nylon		50	5.75
12100305	165RN-20X30	20X30	Nylon		200	7.30
12100310	165RN-20X40	20X40	Nylon		100	4.55
12100311	165RN-20X50	20X50	Nylon		100	5.80
12100312	165RN-20X60	20X60	Nylon		100	7.35
12100320	165RN-25X40	25X40	Nylon		100	5.30
12100315	165RN-25X50	25X50	Nylon		100	6.50
12100313	165RN-30X120	30X120	Nylon		50	8.35
12100314	165RN-30X40	30X40	Nylon		50	3.00
12100316	165RN-30X50	30X50	Nylon		50	3.75
12100317	165RN-30X60	30X60	Nylon		50	4.80
12100318	165RN-30X80	30X80	Nylon		100	11.90
12100319	165RN-40X100	40X100	Nylon		50	10.33
12100321	165RN-40X120	40X120	Nylon		50	15.30
12100322	165RN-40X50	40X50	Nylon		50	4.93
12100323	165RN-40X60	40X60	Nylon		50	5.30
12100324	165RN-40X80	40X80	Nylon		50	6.83
12100325	165RN-50X100	50X100	Nylon		50	14.35
12100326	165RN-50X120	50X120	Nylon		50	15.50
12100327	165RN-50X150	50X150	Nylon		50	22.50
12100328	165RN-50X80	50X80	Nylon		50	11.55

165RZ

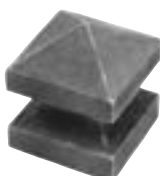
Rectangular pillar cover galvanized
Couvre pilier rectangulaire zingué
Rechteckig Pfostendeckel Verzinkt
Cubrepillar rectangular galvanizado
Оцинкованный прямоугольный концевик



Code	Art.	Size	Finishing	Capacity Kg	Pcs/pack	Kg/pack
12100560 001	165RZ-20X30	20X30	Galvanized		100	1.80
12100561 001	165RZ-20X40	20X40	Galvanized		100	2.00
12100562 001	165RZ-30X50	30X50	Galvanized		100	4.40
12100563 001	165RZ-30X60	30X60	Galvanized		100	4.00
12100564 001	165RZ-40X60	40X60	Galvanized		90	4.30
12100565 001	165RZ-40X80	40X80	Galvanized		100	6.70

165S

Copri pilastro sagomato
Shaped pillar cover
Couvre pilier moulé
Pfostendeckel
Cubrepillar moldeado
Колпак Фасонный



Code	Art.	Size	Finishing	Capacity Kg	Pcs/pack	Kg/pack
12100405	165S-50	50	Raw		10	1.35
12100410	165S-60	60	Raw		6	1.25
12100415	165S-80	80	Raw		8	3.30
12100420	165S-100	100	Raw		4	2.90
12100425	165S-120	120	Raw		6	3.40
12100430	165S-150	150	Raw		4	5.40

165T

Round pillar cover
Couvre pilastre rond
Runder Pfostendeckel
Cubrepillar redondo
Необработанный квадратный концевик



Code	Art.	Size	Finishing	Capacity Kg	Pcs/pack	Kg/pack
12100805	165T-30	1 3/16"	Raw		50	1.10
12100810	165T-33	1 11/32"	Raw		50	1.20
12100815	165T-42	1 11/16"	Raw		50	1.80
12100820	165T-48	1 29/32"	Raw		50	2.20
12100830	165T-76	3"	Raw		50	4.80
12100835	165T-89	3 1/2"	Raw		50	6.00
12100845	165T-114	4 17/32"	Raw		25	5.10

165TN

Round plastic pillar cover
Couvre pilier en plastique rond
Runder Pfostendeckel aus Kunststoff
Cubrepillar redondo en plastic
Пластиковый круглый концевик




Code	Art.	Size	Finishing	Capacity Kg	Pcs/pack	Kg/pack
12100100	165TN-15	15	Nylon		200	0.18
12100105	165TN-20	20	Nylon		200	0.40
12100110	165TN-25	25	Nylon		200	0.56
12100111	165TN-30	30	Nylon		100	0.40
12100112	165TN-35	35	Nylon		100	0.52
12100115	165TN-40	40	Nylon		50	0.32
12100116	165TN-45	45	Nylon		50	0.46
12100120	165TN-50	50	Nylon		100	0.93
12100121	165TN-60	60	Nylon		100	1.30
12100122	165TN-70	70	Nylon		50	0.92
12100123	165TN-80	80	Nylon		50	0.75
12100124	165TN-100	100	Nylon		50	1.95

Code	Art.	Size	Finishing	Capacity Kg	Pcs/pack	Kg/pack
10704601 001	166P	Piccolo	Galvanized		25	6.80
10704602 001	166G	Grande	Galvanized		10	4.77

**166**

Ground central stop to be fixed
Butée centrale au sol à fixer
Auflaufschuh zum Anschrauben
Tope para fijar
Прикрепляемый стопор

Code	Art.	Size	Finishing	Capacity Kg	Pcs/pack	Kg/pack
10700705 001	167		Galvanized		10	12.19

**167**

Ground central stop to be cemented
Butée centrale au sol à sceller
Auflaufschuh zum Ausbetonieren
Tope para cementar
Центрируемый стопор

Code	Art.	Size	Finishing	Capacity Kg	Pcs/pack	Kg/pack
10700905 001	169		Galvanized		25	7.83

**169**

Ground central stop to be cemented
Butée centrale au sol à sceller
Auflaufschuh zum Ausbetonieren
Tope para cementar
Центрируемый стопор

Code	Art.	Size	Finishing	Capacity Kg	Pcs/pack	Kg/pack
10701005 001	170		Galvanized		25	8.40

**170**

Ground central stop to be cemented
Butée centrale au sol à sceller
Auflaufschuh zum Ausbetonieren
Tope para cementar
Центрируемый стопор

Code	Art.	Size	Finishing	Capacity Kg	Pcs/pack	Kg/pack
10701205 001	171		Galvanized		10	8.24

**171**

Ground central stop to be fixed
Butée centrale au sol à fixer
Auflaufschuh zum Anschrauben
Tope para fijar
Прикрепляемый стопор

Code	Art.	Size	Finishing	Capacity Kg	Pcs/pack	Kg/pack
10821005 001	172-M18	M18	Galvanized	125	20	8.70
10821010 001	172-M20	M20	Galvanized	155	20	11.18
10821015 001	172-M24	M24	Galvanized	240	10	9.95

Capacity per couple hinges, L/H=1

**172**

Cylindrical hinge with bush
Gond cylindrique avec douille
Zylindrischer Torband mit Buchse
Bisagra cilíndrica con casquillo
Цилиндрическая петля со втулкой

174

Hinge with u bolt for 180° opening
Gond avec crampillon pour ouverture à 180°
Torband mit U-Bügel für 180° Öffnung
Bisagra con pletina en U para apertura a 180°
Петля со скобой с открытием на 180°



Code	Art.	Size	Finishing	Capacity Kg	Pcs/pack	Kg/pack
10820005 001	174-M16	M16	Galvanized	75	10	9.78

Capacity per couple hinges, L/H=1

175

Hinge for 180° opening
Gond pour ouverture à 180°
Torband für 180° Öffnung
Bisagra para apertura a 180°
Петля с открытием на 180°



Code	Art.	Size	Finishing	Capacity Kg	Pcs/pack	Kg/pack
19926004	175G	L=75 H=95	Raw	135	6	8.59
19926003	175P	L=43 H=63	Raw	70	8	7.93

Capacity per couple hinges, L/H=1

176

Hinge with double body and u bolt for 180° opening
Gond avec double corps et crampillon pour ouverture à 180°
Torband mit Doppelkörper und U-Bügel für 180° Öffnung
Bisagra doble cuerpo con pletina en U para apertura a 180°
Петля с двойным корпусом со скобой с открытием на 180°



Code	Art.	Size	Finishing	Capacity Kg	Pcs/pack	Kg/pack
10820505 001	176-M16	M16	Galvanized	150	10	20.00

Capacity per couple hinges, L/H=1

NEW
177

Hinge with u-bolt for 180° opening
Gond avec crampillon pour ouverture à 180°
Torband mit U-Bügel für 180° Öffnung
Bisagra con pletina para apertura a 180°
Петля со скобы с открытием на 180°



Code	Art.	Size	Finishing	Capacity Kg	Pcs/pack	Kg/pack
10819405 001	177-M12	M12	Galvanized	50	10	5,20
10819410 001	177-M16	M16	Galvanized	75	10	9,00
10819415 001	177-M20	M20	Galvanized	125	10	16,50
10819420 001	177-M24	M24	Galvanized	200	10	22,00

Capacity per couple hinges, L/H=1

NEW
177 Hs700

Hs700
COVER SYSTEM

Code	Art.	Size	Finishing	Capacity Kg	Pcs/pack	Kg/pack
10819405 018	177-M12 HS700	M12	Hs700	50	10	6,00
10819410 018	177-M16 HS700	M16	Hs700	75	10	9,00
10819415 018	177-M20 HS700	M20	Hs700	125	10	17,60
10819420 018	177-M24 HS700	M24	Hs700	200	10	24,00

Capacity per couple hinges, L/H=1

178

Hinge with wings for 180° opening
Gond avec ailes pour ouverture à 180°
Torband mit Laschen für 180° Öffnung
Bisagra con palas para apertura a 180°
Петля с полками с открытием на 180°



Code	Art.	Size	Finishing	Capacity Kg	Pcs/pack	Kg/pack
10819505 001	178-M12	M12	Galvanized	50	10	5.63
10819510 001	178-M16	M16	Galvanized	75	10	8.14
10819515 001	178-M20	M20	Galvanized	125	10	14.90
10819520 001	178-M24	M24	Galvanized	200	10	22.16

Capacity per couple hinges, L/H=1

NEW
178 Hs700

Hs700
COVER SYSTEM

Code	Art.	Size	Finishing	Capacity Kg	Pcs/pack	Kg/pack
10819505 018	178-M12 HS700	M12	Hs700	50	10	5,63
10819510 018	178-M16 HS700	M16	Hs700	75	10	8,14
10819515 018	178-M20 HS700	M20	Hs700	125	10	14,9
10819520 018	178-M24 HS700	M24	Hs700	200	10	22,16

Capacity per couple hinges, L/H=1

Code	Art.	Size	Finishing	Capacity Kg	Pcs/pack	Kg/pack
10814005 001	180-M18	Ø30 R45-70	Galvanized	100	20	9.24
10814010 001	180-M22	Ø35 R45-75	Galvanized	160	10	6.78
10814015 001	180-M27	Ø40 R55-95	Galvanized	260	10	10.73

Capacity per couple hinges, L/H=1

**180**

Clamp-hinge with greaser and bush
Gond à collier avec graisseur et douille
Halseisenband mit Schmierbüchse und Buchse
Bisagra de abrazadera con engrasador y casquillo
Петля с полосой с масляной и втулкой

Code	Art.	Size	Finishing	Capacity Kg	Pcs/pack	Kg/pack
10814505 001	182-M18	Ø30 R55-85	Galvanized	100	20	9.72
10814510 001	182-M22	Ø35 R64-100	Galvanized	160	10	7.18
10814515 001	182-M27	Ø40 R75-115	Galvanized	260	10	11.73

Capacity per couple hinges, L/H=1

**182**

Clamp-hinge with greaser, round plate and adjustable nut
Gond à collier avec graisseur, platine ronde et écrou réglable
Halseisenband mit Schmierbüchse, runde Platte und verstellbarer Mutter
Bisagra de abrazadera con engrasador, placa redonda y tuerca regulable
Петля с полосой с масляной, круглой пластиной и регулируемой гайкой

Code	Art.	Size	Finishing	Capacity Kg	Pcs/pack	Kg/pack
10814506 001	182B-M18	Ø30 R55-85	Galvanized	100	20	9.72
10814507 001	182B-M22	Ø35 R64-100	Galvanized	160	10	7.18
10814516 001	182B-M27	Ø40 R75-115	Galvanized	260	10	11.73

Capacity per couple hinges, L/H=1

**182B**

Clamp-hinge with greaser and adjustable nut
Gond à collier avec graisseur et écrou réglable
Halseisenband mit Schmierbüchse und verstellbarer Mutter
Bisagra de abrazadera con engrasador y tuerca regulable
Петля с полосой с масляной и регулируемой гайкой

Code	Art.	Size	Finishing	Capacity Kg	Pcs/pack	Kg/pack
10815005 001	184-M18	Ø30 R40-70	Galvanized	100	20	10.28
10815010 001	184-M22	Ø35 R45-80	Galvanized	160	10	7.27
10815015 001	184-M27	Ø40 R55-95	Galvanized	260	10	10.49

Capacity per couple hinges, L/H=1

**184**

Clamp-hinge with greaser to be cemented
Gond à collier avec graisseur à sceller
Halseisenband mit Schmierbüchse zum Ausbetonieren
Bisagra de abrazadera para cementar con engrasador
Петля с цементируемой полосой с масляной

Code	Art.	Size	Finishing	Capacity Kg	Pcs/pack	Kg/pack
10817505 001	185-M18	Ø30	Galvanized	100	8	4.06
10817510 001	185-M22	Ø35	Galvanized	160	6	4.23
10817515 001	185-M27	Ø40	Galvanized	260	6	5.27

Capacity per couple hinges, L/H=1

**185**

Clamp-hinge body with greaser for threaded bars
Corps gond à collier avec graisseur pour barres filetées
Halseisenbandkörper mit Schmierbüchse für Profile mit Gewinde
Cuerpo bisagra de abrazadera con engrasador para varillas roscadas
Корпус петли с полосой с масляной для резьбовых стержней

Code	Art.	Size	Finishing	Capacity Kg	Pcs/pack	Kg/pack
10815505 001	186-M18	Ø30 R55-85	Galvanized	100	20	16.94
10815510 001	186-M22	Ø35 R64-100	Galvanized	160	10	10.50
10815515 001	186-M27	Ø40 R75-115	Galvanized	260	10	16.85

Capacity per couple hinges, L/H=1

**186**

Clamp-hinge with greaser and plate with adjustable nut
Gond à collier avec graisseur et platine avec écrou réglable
Halseisenband mit Schmierbüchse und Platte mit verstellbarer Mutter
Bisagra de abrazadera con engrasador y placa con tuerca regulable
Петля с полосой с масляной и пластиной с регулируемой гайкой

188

Clamp-hinge with greaser and plate with bush
Gond à collier avec graisseur et platine avec douille
Halseisenband mit Schmierbüchse und Platte mit Buchse
Bisagra de abrazadera con engrasador y placa con casquillo
Петля с полосой с масляной и пластиной со втулкой



Code	Art.	Size	Finishing	Capacity Kg	Pcs/pack	Kg/pack
10816005 001	188-M18	Ø30 R55-85	Galvanized	100	20	16.58
10816010 001	188-M22	Ø35 R64-100	Galvanized	160	10	10.29
10816015 001	188-M27	Ø40 R75-115	Galvanized	260	10	16.70

Capacity per couple hinges, L/H=1

189

Nut for hinges
Écrou pour gonds
Mutter für Torbänder
Tuercas para bisagras
Гайка для петель



Code	Art.	Size	Finishing	Capacity Kg	Pcs/pack	Kg/pack
10822018 001	189-M18	M18	Galvanized		50	1.40
10822020 001	189-M20	M20	Galvanized		50	1.70
10822022 001	189-M22	M22	Galvanized		50	1.85
10822024 001	189-M24	M24	Galvanized		50	2.50
10822027 001	189-M27	M27	Galvanized		50	4.50

190

Holed pivot with square base for clamp-hinges
Pivot percé avec base carrée pour gonds à collier
Anschweißstück mit Bohrungen und Quadrat-Fuß für Halseisenbänder
perno perforado de base cuadrada para bisagras de abrazadera
Штифт с отверстиями с квадратным основанием для петель с полосой



Code	Art.	Size	Finishing	Capacity Kg	Pcs/pack	Kg/pack
10816505	190-30	Ø30 30x30x3	Raw		20	4.92
10816510	190-35	Ø35 35x35x3	Raw		10	4.03
10816515	190-40	Ø40 40x40x3	Raw		10	6.10

192

Oversize holed pivot with square base for clamp-hinges
Pivot plus grand percé avec base carrée pour gonds à collier
Größer Anschweißstück mit Bohrungen und Quadrat-Fuß für Halseisenbänder
perno sobredimensionado perforado de base cuadrada para bisagras de abrazadera
Увеличенный штифт с отверстиями с квадратным основанием для петель с полосой



Code	Art.	Size	Finishing	Capacity Kg	Pcs/pack	Kg/pack
10817005	192-30	Ø30 35x35x3	Raw		20	5.74
10817010	192-35	Ø35 40x40x3	Raw		10	4.53
10817015	192-40	Ø40 50x50x3	Raw		10	7.61

194

Bottom pivot with square base
Pivot inférieur avec base carrée
Lagerzapfen mit Quadrat-Fuß
perno inferior de base cuadrada
Нижний штифт с квадратным основанием

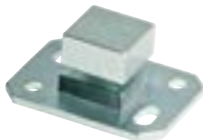


Code	Art.	Size	Finishing	Capacity Kg	Pcs/pack	Kg/pack
10818005	194-30	30x30x3	Raw	280	20	3.68
10818010	194-35	35X35X3	Raw	350	10	2.67
10818015	194-40	40x40x3	Raw	550	10	3.15
10818020	194-50	50x50x3	Raw	550	10	4.47

Capacity per couple hinges, L/H=1

194PST

Bottom ground plate to be fixed with spherical pivot
Platine de base inférieure à fixer avec pivot sphérique
Bodenplatte zum Anschrauben mit Kugelzapfen
Placa de base inferior para fijar con perno con bola
Базовая прикрепляемая нижняя пластина со сферическим штифтом



Code	Art.	Size	Finishing	Capacity Kg	Pcs/pack	Kg/pack
10818101 001	194PST-40X40	40x40x3	Galvanized	150	5	3.70

Capacity per couple hinges, L/H=1

Code	Art.	Size	Finishing	Capacity Kg	Pcs/pack	Kg/pack
10701520 001	195-400	400	Galvanized	400	10	0.90
10701530 001	195-500	500	Galvanized	400	10	1.10
10701540 001	195-600	600	Galvanized	400	10	1.30
10701550 001	195-700	700	Galvanized	400	10	1.60



195

Safety cable for swinging gate anti downfall
 Cable anti-chute pour portail battent
 Fall-Schutz Kabel
 Protección contra caídas para cancelas batientes.
 Защита от падения для распашных ворот.

Code	Art.	Size	Finishing	Capacity Kg	Pcs/pack	Kg/pack
10200108 001	197	250	Galvanized		10	1.80



197

Threaded bar for anti fall cable
 Tige filetée pour cable anti-chute
 Gewindestange für Fall-Schutz Kabel
 Barra roscada para seguridad anti-caída
 Резьбовой стержень для защиты от падения

Code	Art.	Size	Finishing	Capacity Kg	Pcs/pack	Kg/pack
10818505	196-30	Ø30x3	Raw		20	4.80
10818510	196-35	Ø35x3	Raw		10	4.14
10818515	196-40	Ø40x3	Raw		10	7.70



196

Holed pivot with round base for clamp-hinges
 Pivot percé avec base ronde pour gonds à collier
 Anschweißstück mit Bohrungen und Rund-Fuß für Halseisenbänder
 perno perforado de base redonda para bisagras de abrazadera
 Штифт с отверстиями с круглым основанием для петель с полосой

Code	Art.	Size	Finishing	Capacity Kg	Pcs/pack	Kg/pack
10819005	198-30	Ø30x3	Raw	280	10	1.54
10819010	198-35	Ø35x3	Raw	350	10	2.30
10819015	198-40	Ø40x3	Raw	550	10	2.76

Capacity per couple hinges, L/H=1



198

Bottom pivot with round base
 Pivot inférieur avec base ronde
 Lagerzapfen mit Rund-Fuss
 perno inferior de base redonda
 Нижний штифт с круглым основанием

Code	Art.	Size	Finishing	Capacity Kg	Pcs/pack	Kg/pack
10704701	199-40	Piccolo	Raw		6	1.64
10704705	199-50	Medio	Raw		6	2.26
10704710	199-60	Grande	Raw		6	3.00



199

Upper end with shock absorber cup
 Butée supérieure avec bouchon amortisseur
 Oberer Auflaufschuh mit Schlusdämpfer
 Encuentro superior con tapón amortiguador
 Верхний упор с амортизирующим буфером

Code	Art.	Size	Finishing	Capacity Kg	Pcs/pack	Kg/pack
10701505 001	200-P	H=96	Galvanized		30	7.89
10701510 001	200-G	H=120	Galvanized		15	6.92



200

Runaway stop
 Boutoir de fin de course
 Torstopper
 Tope de final de carrera
 Стопор конца хода

201

Strike plate to be fastened with triple function
Butée à fixer triple fonction
Auflaufschuh zur Befestigung mit dreifacher Funktion
Tope "tris" para fijar triple función
Упор "tris" прикрепляемый с тройной функцией



Code	Art.	Size	Finishing	Capacity Kg	Pcs/pack	Kg/pack
10701450 001	201	H=132	Galvanized		2	2.78

202

Runaway stop to be screwed
Boutoir de fin de course avec base à visser
Torendpuffer mit Befestigungsplatte zum Anschrauben
Tope de final de carrera con base para fijar
Стопор конца хода с прикрепляемым основанием



Code	Art.	Size	Finishing	Capacity Kg	Pcs/pack	Kg/pack
10701805 001	202-P NEW	H=96	Galvanized		20	12.00
10701810 001	202-G	H=120	Galvanized		10	7.35

202F-A

Damped runaway stop to be screwed
Boutoir de fin de course amorti avec base à visser
Torendpuffer mit Platte zum Anschrauben
Tope de final de carrera amortiguado con base para fijar
Амортизированный стопор конца хода с прикрепляемым основанием



Code	Art.	Size	Finishing	Capacity Kg	Pcs/pack	Kg/pack
10704201 001	202F-A	H=106	Galvanized		4	5.60

202F-B

Adjustable runaway stop to be screwed for wing gates
Boutoir de fin de course à visser réglable pour portails à vantaux
Verstellbarer Torendpuffer zum Anschrauben für Flügeltore
Tope de final de carrera regulable para fijar para puertas de hoja
Прикрепляемый регулируемый стопор конца хода для распашных ворот



Code	Art.	Size	Finishing	Capacity Kg	Pcs/pack	Kg/pack
10704301 001	202F-B	H=130	Galvanized		4	6.40

202F-C

Adjustable runaway stop to be screwed
Boutoir de fin de course à visser réglable
Verstellbarer Torendpuffer zum Anschrauben
Tope de final de carrera regulable para fijar
Прикрепляемый регулируемый стопор конца хода




Code	Art.	Size	Finishing	Capacity Kg	Pcs/pack	Kg/pack
10704401 001	202F-C	H=130	Galvanized		10	12.40

203

Open adjustable end with shock absorber cups
Butée ouverte avec bouchons amortisseurs
Verstellbarer geöffneter Auflageschuh mit Schlusdämpfern
Encuentro abierto regulable con tapones amortiguadores
Открытый регулируемый упор с амортизирующими буферами



Code	Art.	Size	Finishing	Capacity Kg	Pcs/pack	Kg/pack
10704501 001	203 	R80-150	Galvanized		2	5.82

Code	Art.	Size	Finishing	Capacity Kg	Pcs/pack	Kg/pack
10704550	001	204		R80-150	Galvanized	2 7.30



204

Closed adjustable end with shock absorber cups
 Butée fermée réglable avec bouchons amortisseurs
 Verstellbarer geschlossener Aufлагeschuh mit Schlusdämpfern
 Encuentro cerrado regulable con tapones amortiguadores
 Закрытый регулируемый упор с амортизирующими буферами

Code	Art.	Size	Finishing	Capacity Kg	Pcs/pack	Kg/pack
10900505	205	30-50	Nylon		10	2.10



205

Nylon handle
 Béquille en nylon
 Nylon-Türdrücker
 Manilla de nylon
 Нейлоновая ручка

Code	Art.	Size	Finishing	Capacity Kg	Pcs/pack	Kg/pack
10906601	503	209	30-50	RAL9005	20	5.56
10906601	604	209	30-50	Silver	20	5.52



209


Aluminium handle "Sonia"
 Béquille en aluminium "Sonia"
 Aluminium-Türdrücker Modell "Sonia"
 Manilla de aluminio mod. "Sonia"
 Ручка из алюминия мод. "Sonia"

Code	Art.	Size	Finishing	Capacity Kg	Pcs/pack	Kg/pack
10901005	503	210-25-35	25-35	RAL9005	20	3.50
10901005	516	210-25-35	25-35	RAL7035	20	3.50
10901010	503	210-40-50	40-50	RAL9005	20	3.60
10901010	516	210-40-50	40-50	RAL7035	20	3.60
10901015	503	210-50-60	50-60	RAL9005	20	3.70
10901015	516	210-50-60	50-60	RAL7035	20	3.70
10901020	503	210-60-70	60-70	RAL9005	20	3.90
10901020	516	210-60-70	60-70	RAL7035	20	3.90



210

Aluminium handle
 Béquille en aluminium
 Aluminium-Türdrücker
 Manilla de aluminio
 Ручка из алюминия

Code	Art.	Size	Finishing	Capacity Kg	Pcs/pack	Kg/pack
10901305	503	211	25-80	RAL9005	20	4.10
10901305	516	211		25-80	RAL7035	20 4.10



211

Aluminium handle with dowel
 Béquille en aluminium avec grain
 Aluminium-Handgriff mit Korn
 Manilla de aluminio con pasador
 Ручка из алюминия с установочным винтом

Code	Art.	Size	Finishing	Capacity Kg	Pcs/pack	Kg/pack
10970005	503	212	RAL9005		10	1.20



212

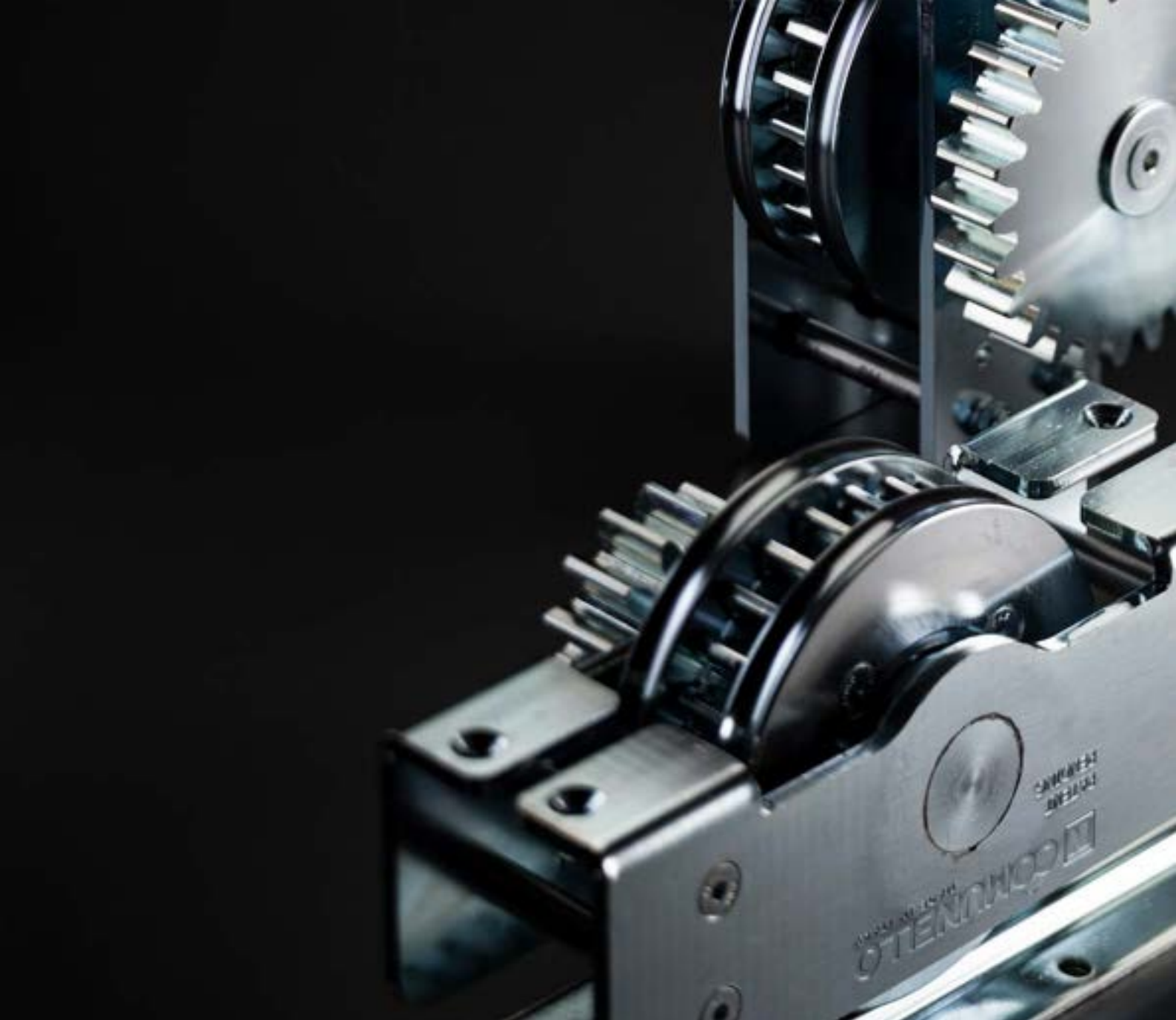
Black handle to move shutter/grate
 Poignée pour persiennes
 Handgriff für Fensterläden
 Manilla negra para movimentar persianas/rejillas
 Черная ручка для жалюзи

Code	Art.	Size	Finishing	Capacity Kg	Pcs/pack	Kg/pack
10905501	503	213	30-50	RAL9005	20	9.34



213

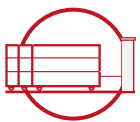
Aluminium handle "Valentina"
 Béquille en aluminium "Valentina"
 Aluminium-Handgriff Modell "Valentina"
 Manilla de aluminio mod. "Valentina"
 Алюминиевая ручка "Valentina"



Life
made
easy



PATENT
PENDING



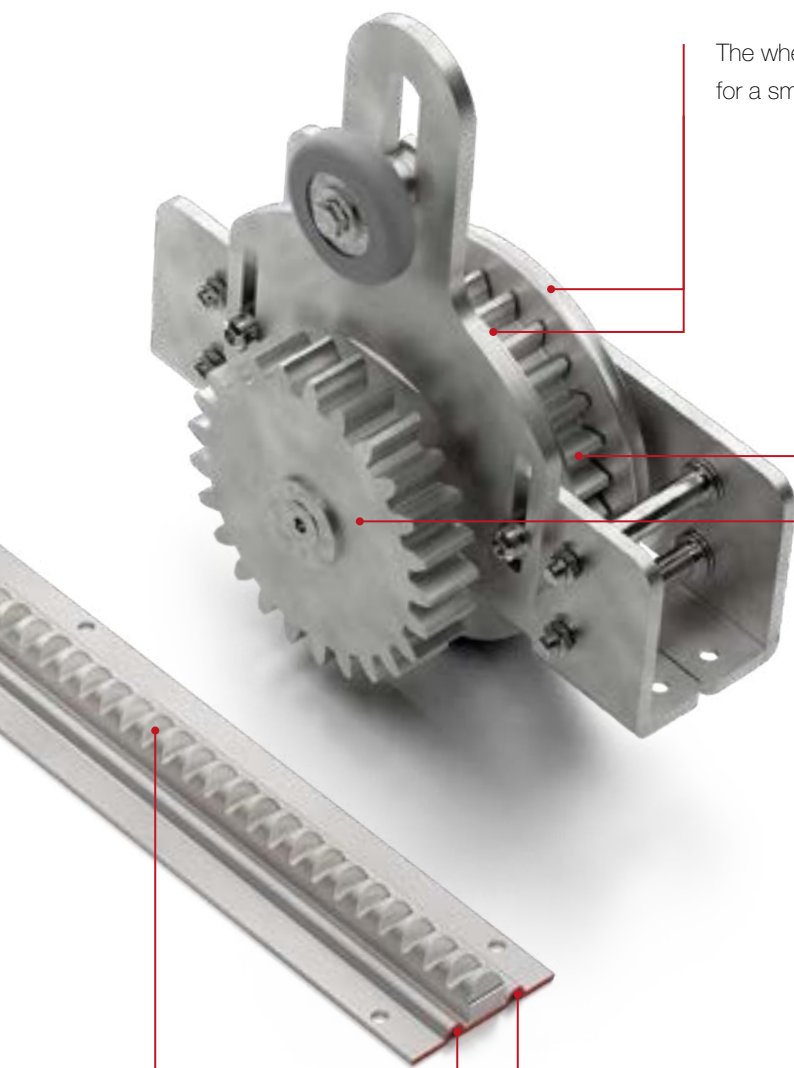
Ranger

The Comunello telescopic system.
A perfect cableless mechanism
that maintains precision year after year.

 **COMUNELLO****GATE**

Ranger Components

Principle drive wheel for 2 or 3 leaf systems



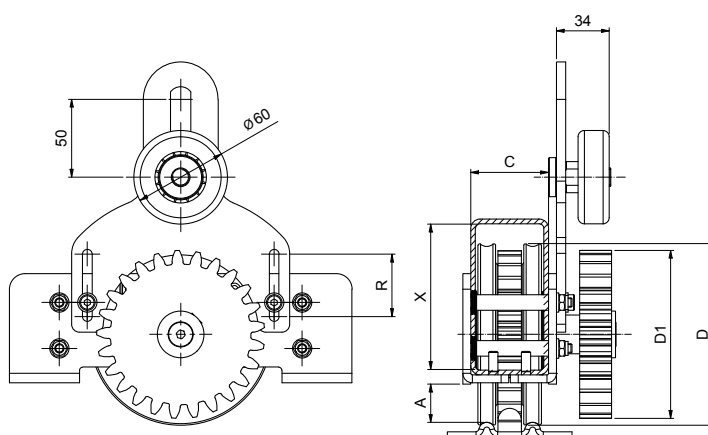
The wheel sits on two external profiles of the track for a smoother movement.

Wheel unit made up of principle pinion drive wheel that, rolling on the rack track, generates the rotation of the external secondary pinion.

The movement via the second external pinion is transmitted to the rack mounted onto the side of the second gate leaf.

The rack track is equipped with two side guides on which the wheel sits. This is to ensure that the weight of the gate is not loaded on the racks teeth.

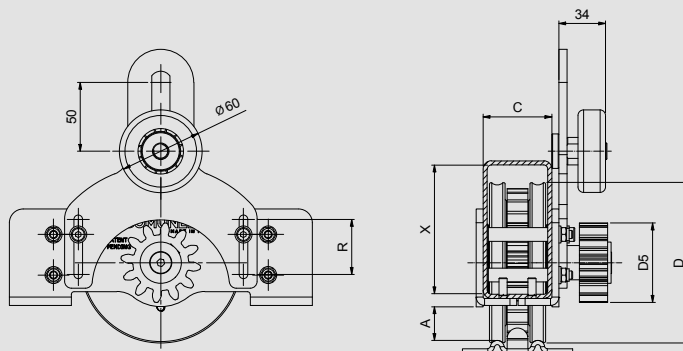
Movement is generated by the ground mounted rack that also functions as a track.



- D** = Wheel diameter
- C** = Internal width (wheel unit)
- D1** = Pinion diameter
- X** = Minimum tube height

D	C	X min	D1	A	R
97	50	67	88	15	40
97	60	67	88	15	40
97	80	67	88	15	40
117	50	88	112	25	40
117	60	88	112	25	40
117	80	88	112	25	40
148	80	114	128	22	60
148	100	114	128	22	60

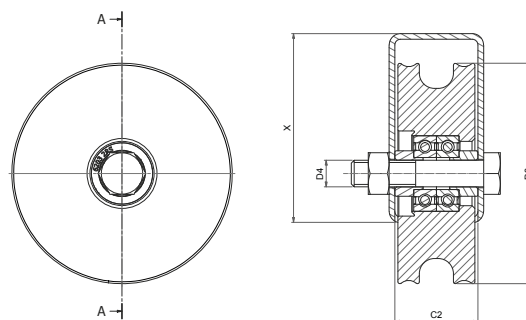
Drive wheel with low ratio secondary pinion for 3 leaf systems



- D** = Wheel diameter
- C** = Internal width (wheel unit)
- D5** = Pinion diameter
- X** = Minimum tube height

D	C	X min	D5	A	R
117	50	88	60	25	40
117	60	88	60	25	40
117	80	88	60	25	40
148	80	114	68	22	60
148	100	114	68	22	60

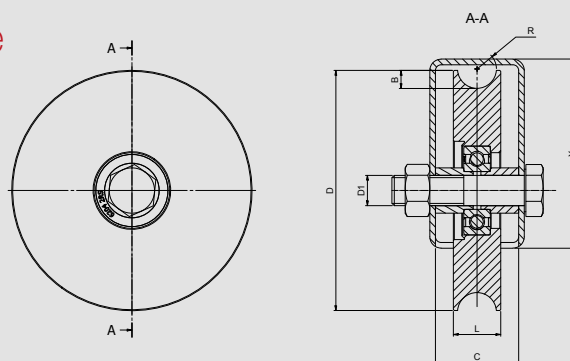
Free wheel



- D3** = Wheel diameter
- C2** = Internal tube width
- D4** = Pin diameter
- X** = Minimum tube height

D3	C2	X min	D4
97	44	80	M14
97	54	80	M14
97	74	80	M14
117	44	100	M14
117	54	100	M14
117	74	100	M14
148	74	120	M16
148	94	120	M16

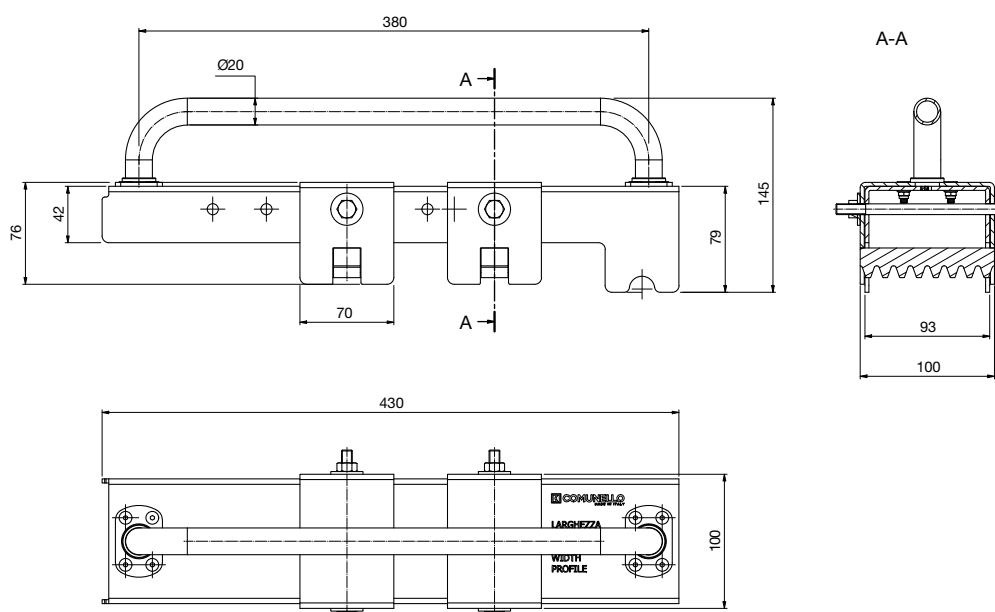
Standard wheel with half-rounded groove



- D** = Wheel diameter
- L** = Wheel width
- R** = Groove radius
- C** = Internal tube width
- B** = Groove depth
- X** = Minimum tube height

D	L	R	C	B	D1	X min	N. BEARING
107	25	10.3	44	9.5	14	80	1
107	25	10.3	54	9.5	14	80	1
107	25	10.3	74	9.5	14	80	1
127	25	10.3	44	9.5	16	100	1
127	25	10.3	54	9.5	16	100	1
127	25	10.3	74	9.5	16	100	1
157	33	11.5	74	11.5	16	120	2
157	33	11.5	94	11.5	16	120	2

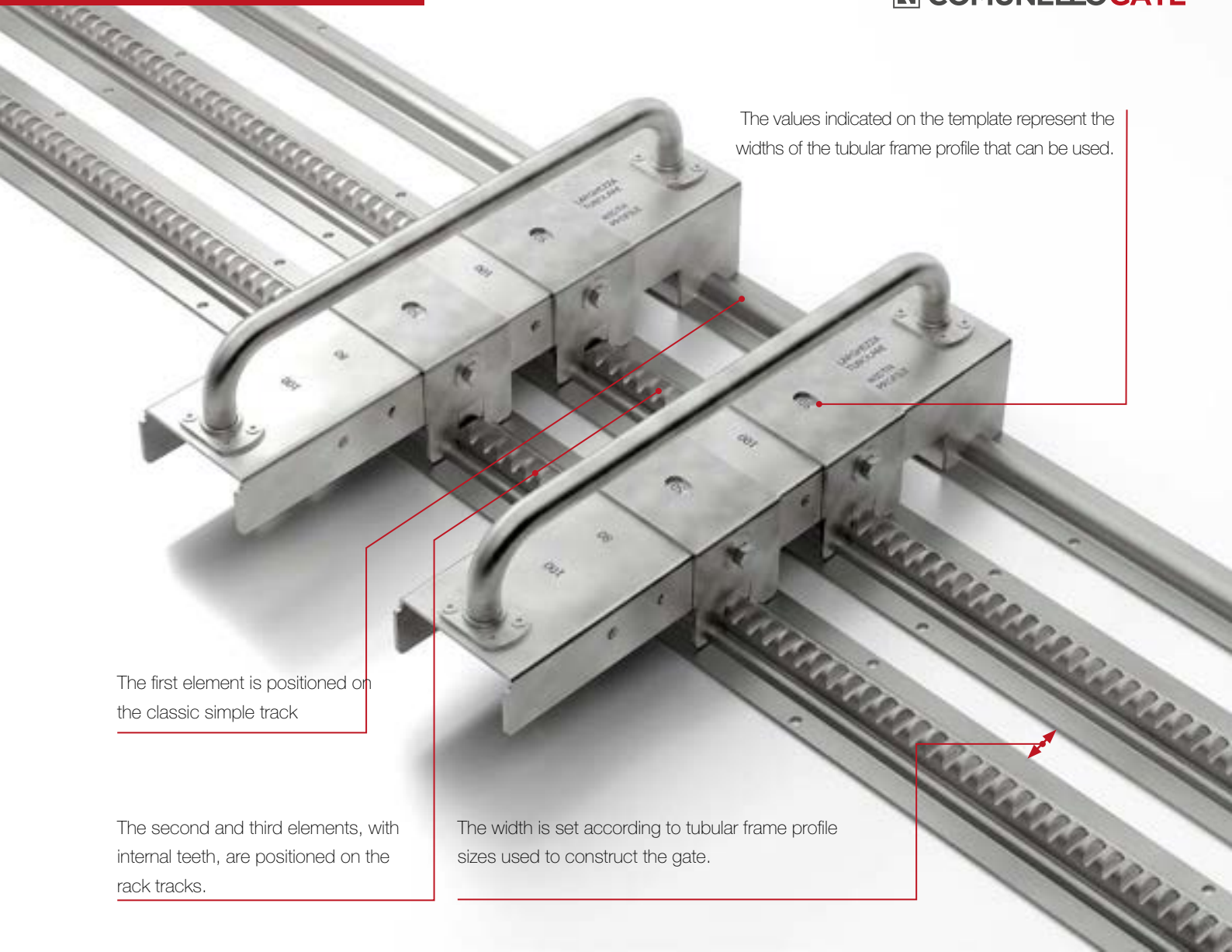
2 template guide kit for Rack Track installation



CODE	ART.	Box info	
		Pcs per pack	Kg
10131110 001	RG 10 P	1	6.4
10131101 001	RG 10 G	1	6.4

This alignment guide tools ensure a rapid and precise installation of the rack tracks that make up the 2 or 3 leaf telescopic system. The simple track is the first to be installed, from this reference the rack tracks are positioned in perfect parallel alignment using

two guide templates at a distance dictated by the tubular frame section of the gate. Thanks to the guide template the parallelism of the tracks is maintained and when two pieces of rack track are to be joined they will ensure the synchronization of the teeth.



The values indicated on the template represent the widths of the tubular frame profile that can be used.

The first element is positioned on the classic simple track

The second and third elements, with internal teeth, are positioned on the rack tracks.

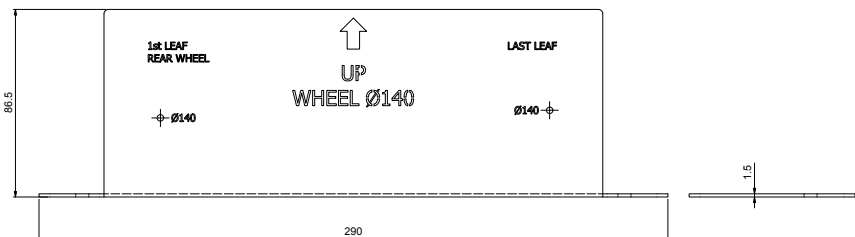
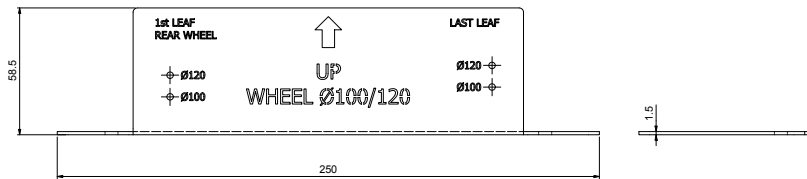
The width is set according to tubular frame profile sizes used to construct the gate.



The Rack Track installation templates are used to ensure a precise and parallel alignment of the tracks and rack tracks, and can be width regulated depending on the thickness of the tubular profile used in the construction of the gate.

When two pieces of rack track are to be joined, the precise position for the teeth can be achieved using the toothed element of the template guide which should be positioned on the joint where the two pieces of track meet.

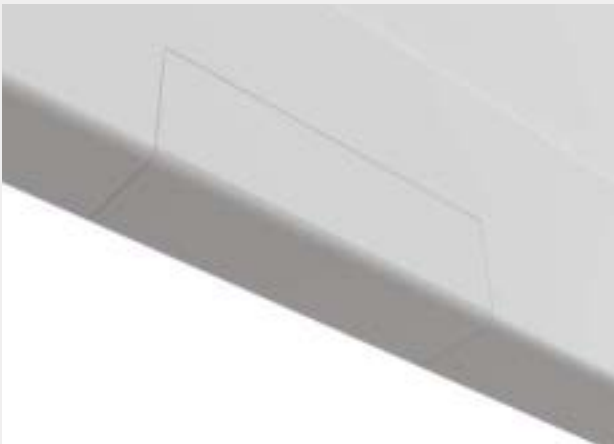
2 template kit for wheel unit fixing



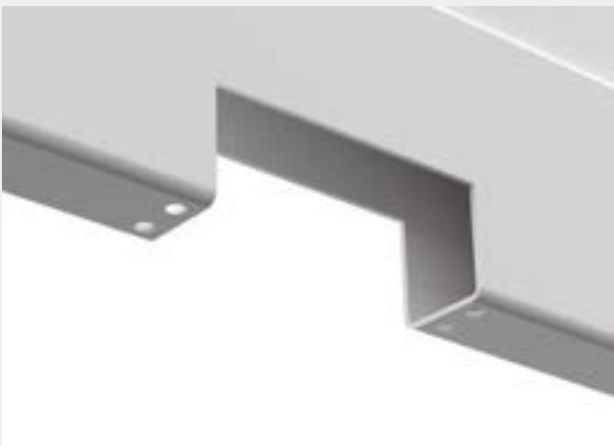
CODE	ART.	Box info	
		Pcs per pack	Kg
10131102 001	RG-20	1	0.9



1 Using the template mark the area to cut and drill



2 The tubular section is marked



3 Cut and drill the tubular section



4 Fix the drive wheel

Ranger system components for **2 leaf** gates

Drive wheel



Free wheel

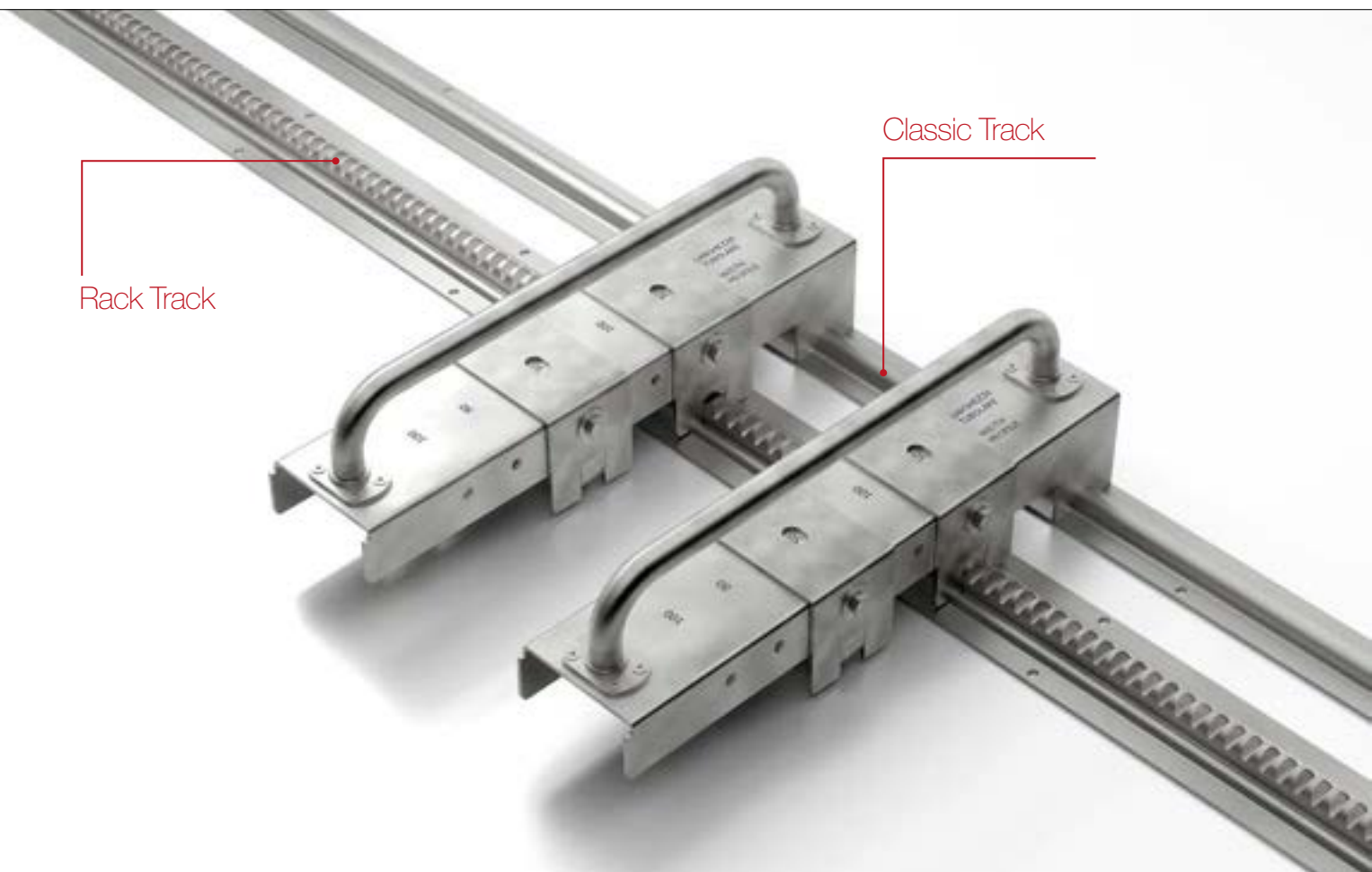


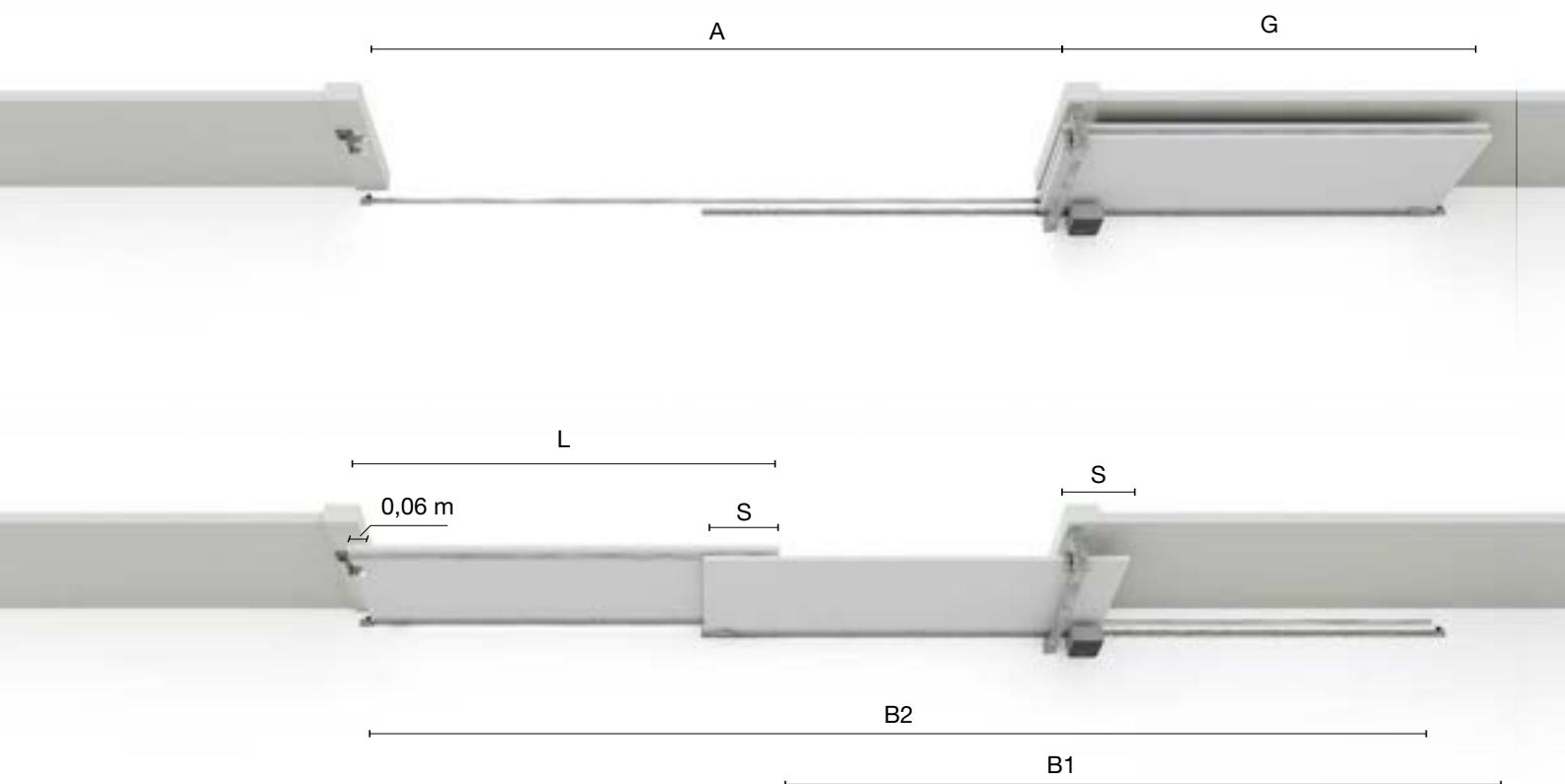
Standard wheel with half-rounded groove



Rack Track

Classic Track



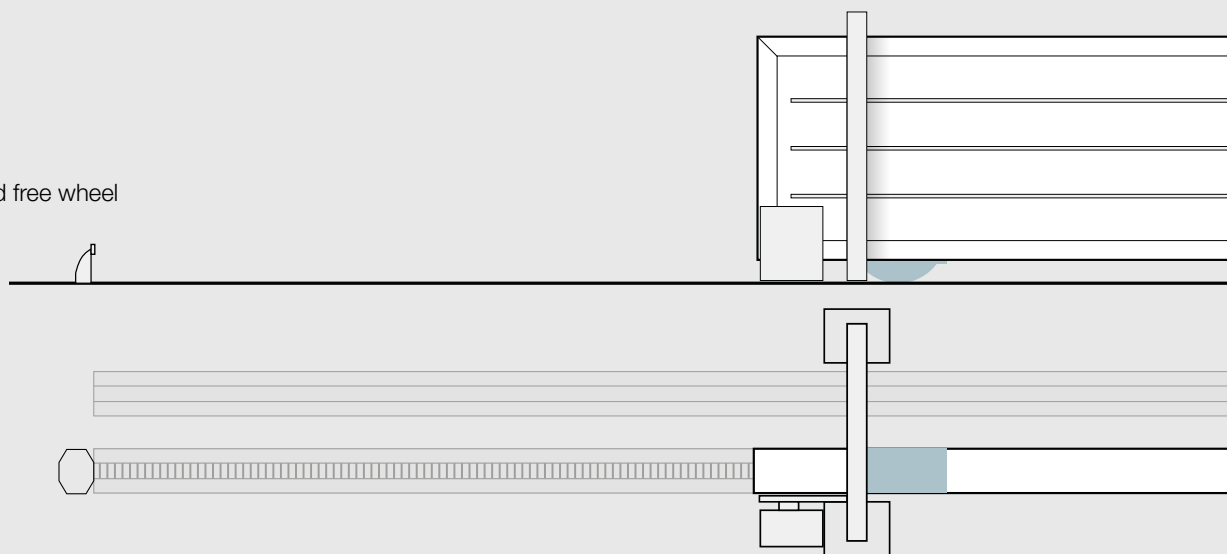
Ranger configurator for **2 leaf** gates

Opening A (m)	N° Leaves	Leaf length L (m)	Minimum space available G (m)	Track length 1 RG-30 B1 (m)	Track length 2 289 B2 (m)
2	2	1.38	1.58	2.41	3.44
2,5	2	1.63	1.83	2.91	4.19
3	2	1.88	2.08	3.41	4.94
3,5	2	2.13	2.33	3.91	5.69
4	2	2.38	2.58	4.41	6.44
4,5	2	2.63	2.83	4.91	7.19
5	2	2.88	3.08	5.41	7.94
5,5	2	3.13	3.33	5.91	8.69
6	2	3.38	3.58	6.41	9.44
6,5	2	3.63	3.83	6.91	10.19
7	2	3.88	4.08	7.41	10.94
7,5	2	4.13	4.33	7.91	11.69
8	2	4.38	4.58	8.41	12.44

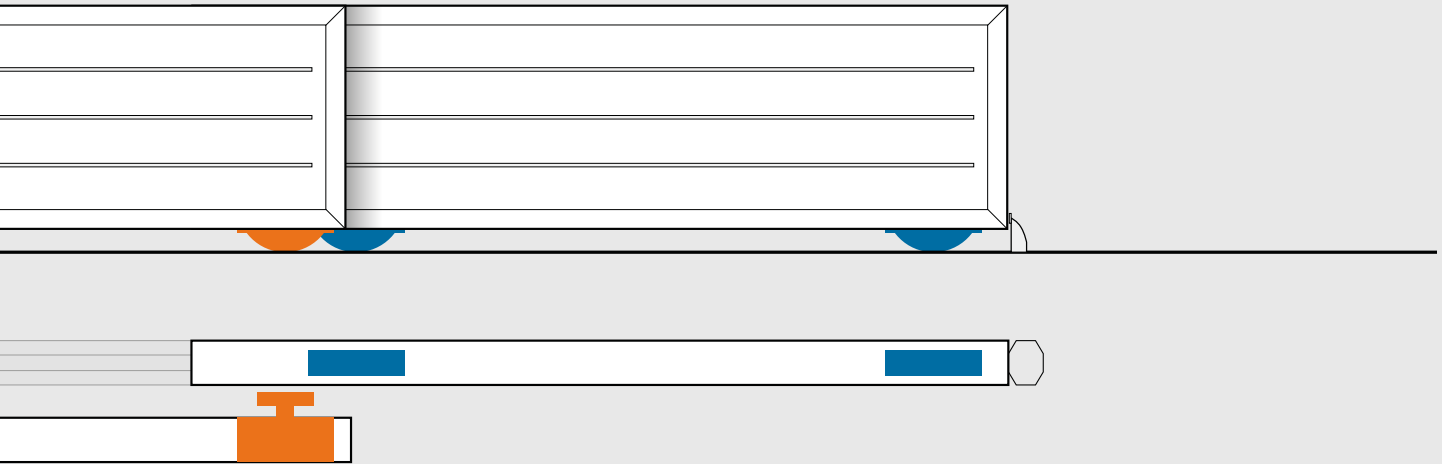
- L (m) = $(A + 0.06) \div 2 + S$
- G min (m) = $L + 0.2$
- B1 (m) = $(L \times 2) - S$
- B2 (m) = $(L \times 3) - (S \times 2)$

























Ranger Wheel Kit for 2 leaf

- Drive wheel
- Free wheel
- Second leaf standard free wheel



CODE	ART.	DESCRIPTION	Tubular frame width mm	Minimum tube height mm
11500440 001	RG2-100.50	Kit Ranger for telescopic door with 2 leaves, $\varnothing 100$ mm wheels for 50 mm tubular <i>Kit Ranger pour porte télescopique avec deux vantaux, galets $\varnothing 100$ mm pour tubulaire de 50 mm</i> <i>Kit Ranger für teleskopisches Schiebetores mit 2 Flügeln, $\varnothing 100$ mm Rädern für 50 mm Schlauchreifen</i> <i>Kit Ranger para puerta telescópica con dos hojas, ruedas de $\varnothing 100$ mm para tubular de 50 mm</i> <i>Комплект Ranger для телескопических ворот с двумя створками, $\varnothing 100$ мм колеса для трубы 50 мм</i>	50	80
11500442 001	RG2-100.60	Kit Ranger for telescopic door with 2 leaves, $\varnothing 100$ mm wheels for 60 mm tubular <i>Kit Ranger pour porte télescopique avec deux vantaux, galets $\varnothing 100$ mm pour tubulaire de 60 mm</i> <i>Kit Ranger für teleskopisches Schiebetores mit 2 Flügeln, $\varnothing 100$ mm Rädern für 60 mm Schlauchreifen</i> <i>Kit Ranger para puerta telescópica con dos hojas, ruedas de $\varnothing 100$ mm para tubular de 60 mm</i> <i>Комплект Ranger для телескопических ворот с двумя створками, $\varnothing 100$ мм колеса для трубы 60 мм</i>	60	80
11500444 001	RG2-100.80	Kit Ranger for telescopic door with 2 leaves, $\varnothing 100$ mm wheels for 80 mm tubular <i>Kit Ranger pour porte télescopique avec deux vantaux, galets $\varnothing 100$ mm pour tubulaire de 80 mm</i> <i>Kit Ranger für teleskopisches Schiebetores mit 2 Flügeln, $\varnothing 100$ mm Rädern für 80 mm Schlauchreifen</i> <i>Kit Ranger para puerta telescópica con dos hojas, ruedas de $\varnothing 100$ mm para tubular de 80 mm</i> <i>Комплект Ranger для телескопических ворот с двумя створками, $\varnothing 100$ мм колеса для трубы 80 мм</i>	80	80
11500441 001	RG2-120.50	Kit Ranger for telescopic door with 2 leaves, $\varnothing 120$ mm wheels for 50 mm tubular <i>Kit Ranger pour porte télescopique avec deux vantaux, galets $\varnothing 120$ mm pour tubulaire de 50 mm</i> <i>Kit Ranger für teleskopisches Schiebetores mit 2 Flügeln, $\varnothing 120$ mm Rädern für 50 mm Schlauchreifen</i> <i>Kit Ranger para puerta telescópica con dos hojas, ruedas de $\varnothing 120$ mm para tubular de 50 mm</i> <i>Комплект Ranger для телескопических ворот с двумя створками, $\varnothing 120$ мм колеса для трубы 50 мм</i>	50	100
11500443 001	RG2-120.60	Kit Ranger for telescopic door with 2 leaves, $\varnothing 120$ mm wheels for 60 mm tubular <i>Kit Ranger pour porte télescopique avec deux vantaux, galets $\varnothing 120$ mm pour tubulaire de 60 mm</i> <i>Kit Ranger für teleskopisches Schiebetores mit 2 Flügeln, $\varnothing 120$ mm Rädern für 60 mm Schlauchreifen</i> <i>Kit Ranger para puerta telescópica con dos hojas, ruedas $\varnothing 120$ mm para tubular de 60 mm</i> <i>Комплект Ranger для телескопических ворот с двумя створками, $\varnothing 120$ мм колеса для трубы 60 мм</i>	60	100
11500445 001	RG2-120.80	Kit Ranger for telescopic door with 2 leaves, $\varnothing 120$ mm wheels for 80 mm tubular <i>Kit Ranger pour porte télescopique avec deux vantaux, galets $\varnothing 120$ mm pour tubulaire de 80 mm</i> <i>Kit Ranger für teleskopisches Schiebetores mit 2 Flügeln, $\varnothing 120$ mm Rädern für 80 mm Schlauchreifen</i> <i>Kit Ranger para puerta telescópica con dos hojas, ruedas $\varnothing 120$ mm para tubular de 80 mm</i> <i>Комплект Ranger для телескопических ворот с двумя створками, $\varnothing 120$ мм колеса для трубы 80 мм</i>	80	100
11500406 001	RG2-140.80	Kit Ranger for telescopic door with 2 leaves, $\varnothing 140$ mm wheels for 80 mm tubular <i>Kit Ranger pour porte télescopique avec deux vantaux, galets $\varnothing 140$ mm pour tubulaire de 80 mm</i> <i>Kit Ranger für teleskopisches Schiebetores mit 2 Flügeln, $\varnothing 140$ mm Rädern für 80 mm Schlauchreifen</i> <i>Kit Ranger para puerta telescópica con dos hojas, ruedas $\varnothing 140$ mm para tubular de 80 mm</i> <i>Комплект Ranger для телескопических ворот с двумя створками, $\varnothing 140$ мм колеса для трубы 80 мм</i>	80	120
11500408 001	RG2-140.100	Kit Ranger for telescopic door with 2 leaves, $\varnothing 140$ mm wheels for 100 mm tubular <i>Kit Ranger pour porte télescopique avec deux vantaux, galets $\varnothing 140$ mm pour tubulaire de 100 mm</i> <i>Kit Ranger für teleskopisches Schiebetores mit 2 Flügeln, $\varnothing 140$ mm Rädern für 100 mm Schlauchreifen</i> <i>Kit Ranger para puerta telescópica con dos hojas, ruedas $\varnothing 140$ mm para tubular de 100 mm</i> <i>Комплект Ranger для телескопических ворот с двумя створками, $\varnothing 140$ мм колеса для трубы 100 мм</i>	100	120



Max leaf weight kg	KIT ELEMENTS			Kit per pack	Kg
	Drive wheel	Free wheel	Standard wheel with half-rounded groove		
250	 Ø 97	 Ø 97	 Ø 107	1	10.3
250	 Ø 97	 Ø 97	 Ø 107	1	10.4
250	 Ø 97	 Ø 97	 Ø 107	1	10.7
400	 Ø 117	 Ø 117	 Ø 127	1	14.2
400	 Ø 117	 Ø 117	 Ø 127	1	14.2
400	 Ø 117	 Ø 117	 Ø 127	1	14.4
400	 Ø 148	 Ø 148	 Ø 157	1	26.4
400	 Ø 148	 Ø 148	 Ø 157	1	26.7

Ranger system components for **3 leaf** gates

Drive wheel



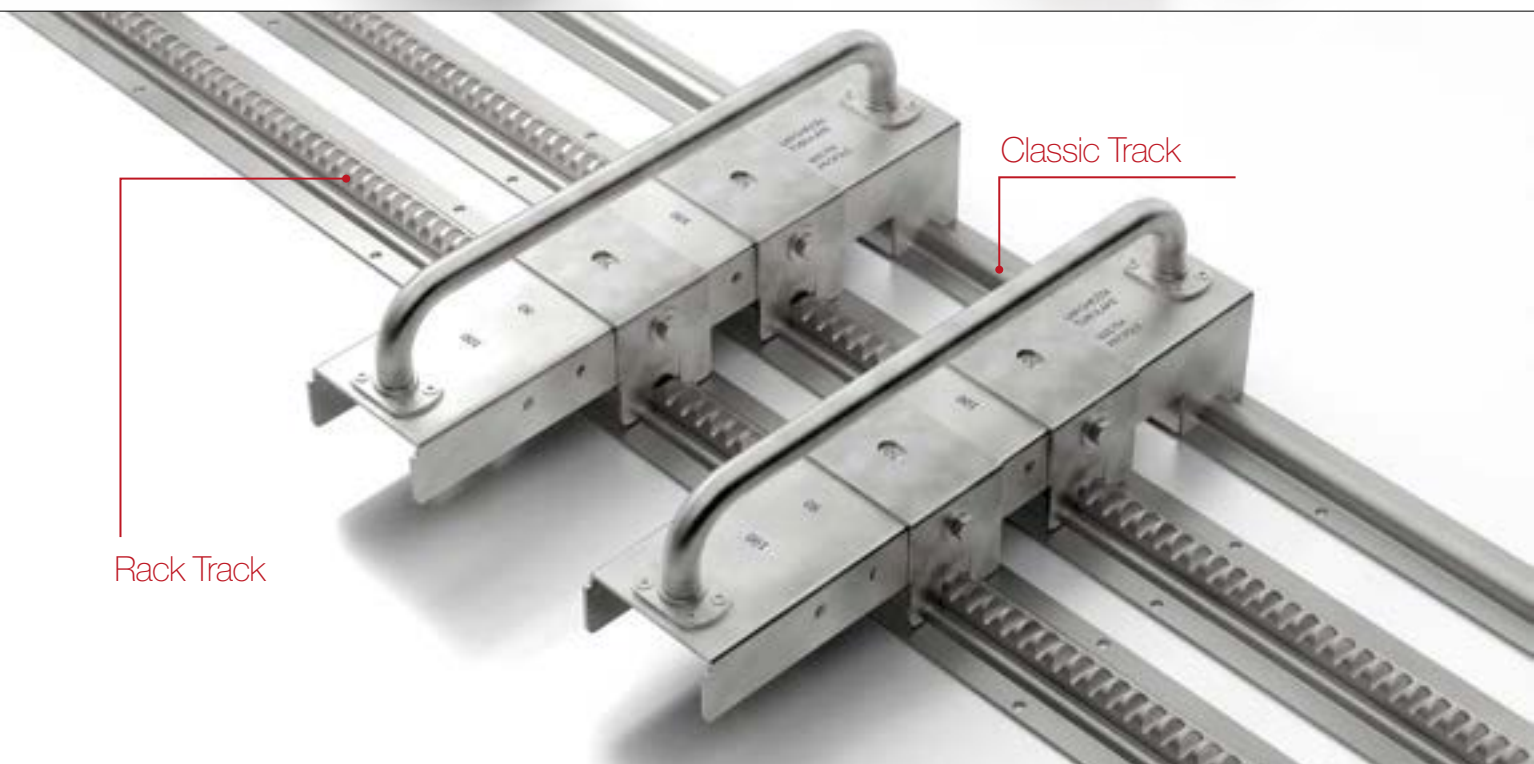
Free wheel



Drive wheel with low ratio



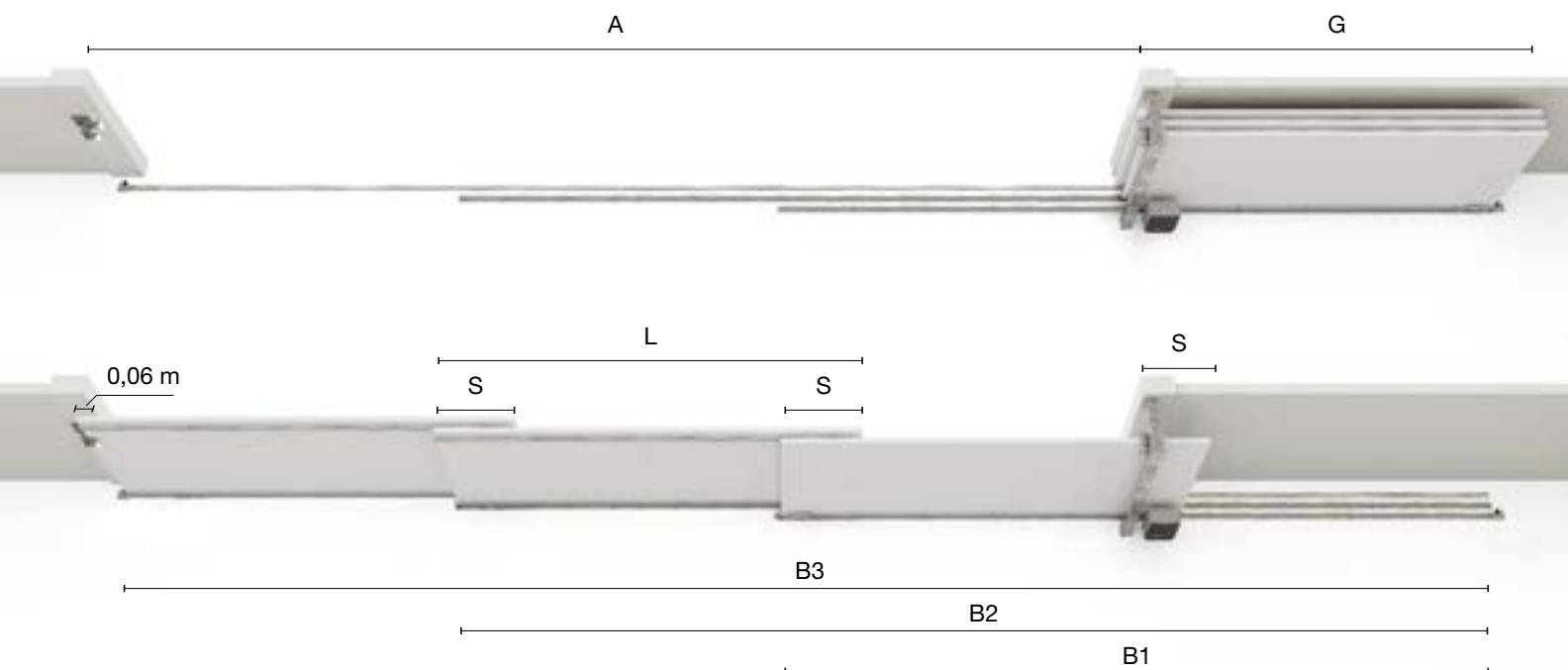
Standard wheel with half-rounded groove



Rack Track

Classic Track

Ranger configurator for 3 leaf gates

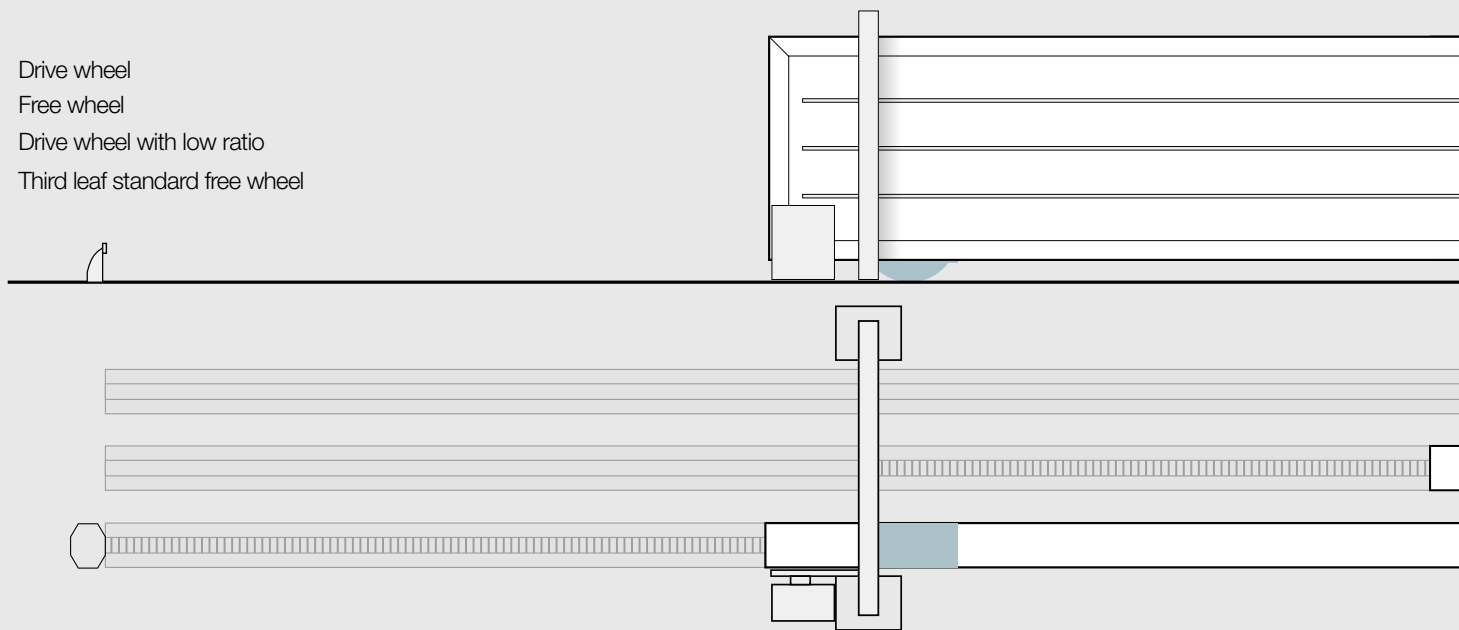


Opening A (m)	N° Leaves	Leaf length L (m)	Minimum space available G (m)	Track length 1 RG-30 B1 (m)	Track length 2 RG-30 B2 (m)	Track length 3 289
2	3	1.04	1.24	1.72	2.41	3.10
2,5	3	1.20	1.40	2.06	2.91	3.76
3	3	1.37	1.57	2.39	3.41	4.43
3,5	3	1.54	1.74	2.72	3.91	5.10
4	3	1.70	1.90	3.06	4.41	5.76
4,5	3	1.87	2.07	3.39	4.91	6.43
5	3	2.04	2.24	3.72	5.41	7.10
5,5	3	2.20	2.40	4.06	5.91	7.76
6	3	2.37	2.57	4.39	6.41	8.43
6,5	3	2.54	2.74	4.72	6.91	9.10
7	3	2.70	2.90	5.06	7.41	9.76
7,5	3	2.87	3.07	5.39	7.91	10.43
8	3	3.04	3.24	5.72	8.41	11.10
8,5	3	3.20	3.40	6.06	8.91	11.76
9	3	3.37	3.57	6.39	9.41	12.43
9,5	3	3.54	3.74	6.72	9.91	13.10
10	3	3.70	3.90	7.06	10.41	13.76
10,5	3	3.87	4.07	7.39	10.91	14.43
11	3	4.04	4.24	7.72	11.41	15.10
11,5	3	4.20	4.40	8.06	11.91	15.76
12	3	4.37	4.57	8.39	12.41	16.43

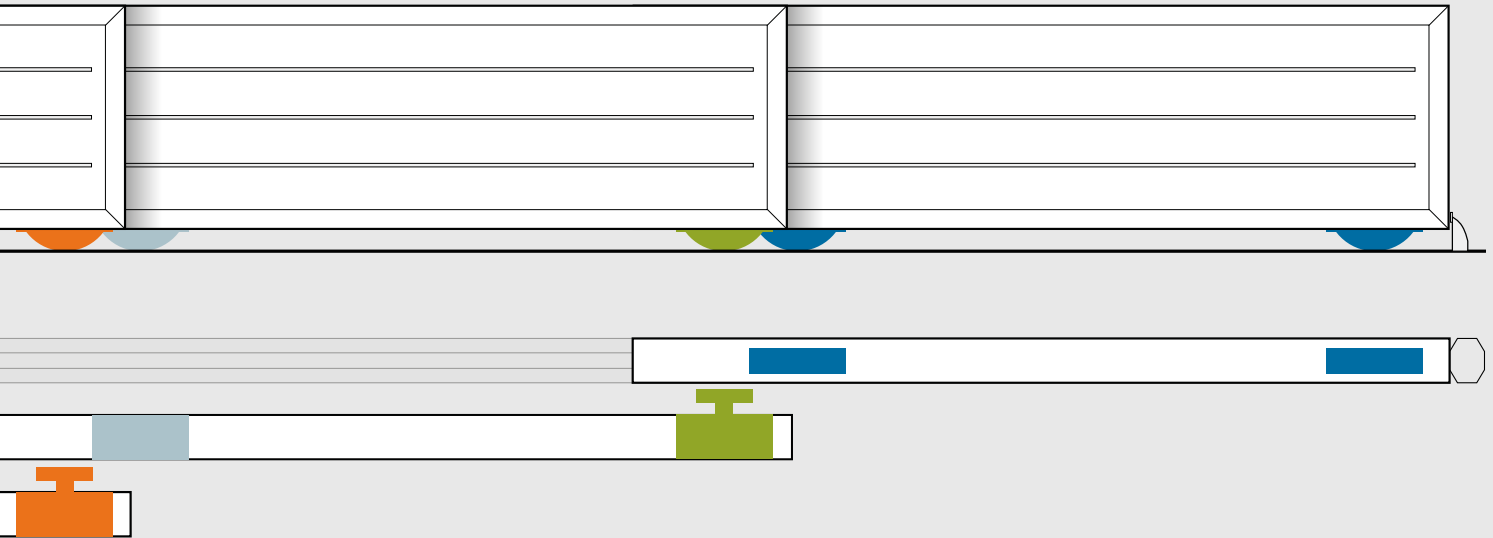
- $L \text{ (m)} = (A + 0.06) \div 3 + S$
- $G \text{ min (m)} = L + 0.2$
- $B1 \text{ (m)} = (L \times 2) - S$
- $B2 \text{ (m)} = (L \times 3) - (S \times 2)$
- $B3 \text{ (m)} = (L \times 4) - (S \times 3)$




Ranger Wheel Kit for 3 leaf gates

- Drive wheel
- Free wheel
- Drive wheel with low ratio
- Third leaf standard free wheel



CODE	ART.	DESCRIPTION	Tubular frame width mm	Minimum tube height mm
11500450 001	RG3-120.50	Kit Ranger for telescopic door with 3 leaves, ø120 mm wheels for 50 mm tubular Kit Ranger pour porte télescopique avec 3 vantaux, galets ø 120 mm pour tubulaire de 50 mm Kit Ranger für teleskopisches Schiebetores mit 3 Flügeln, ø120 mm Rädern für 50 mm Schlauchreifen Kit Ranger para puerta telescópica con 3 hojas, ruedas ø 120 mm para tubular de 50 mm Комплект Ranger для телескопических ворот с тремя створками, ø120 мм колеса для трубы 50 мм	50	80
11500451 001	RG3-120.60	Kit Ranger for telescopic door with 3 leaves, ø120 mm wheels for 60 mm tubular Kit Ranger pour porte télescopique avec 3 vantaux, galets ø 120 mm pour tubulaire de 60 mm Kit Ranger für teleskopisches Schiebetores mit 3 Flügeln, ø120 mm Rädern für 60 mm Schlauchreifen Kit Ranger para puerta telescópica con 3 hojas, ruedas ø 120 mm para tubular de 60 mm Комплект Ranger для телескопических ворот с тремя створками, ø120 мм колеса для трубы 60 мм	60	80
11500452 001	RG3-120.80	Kit Ranger for telescopic door with 3 leaves, ø120 mm wheels for 80 mm tubular Kit Ranger pour porte télescopique avec 3 vantaux, galets ø 120 mm pour tubulaire de 80 mm Kit Ranger für teleskopisches Schiebetores mit 3 Flügeln, ø120 mm Rädern für 80 mm Schlauchreifen Kit Ranger para puerta telescópica con 3 hojas, ruedas ø 120 mm para tubular de 80 mm Комплект Ranger для телескопических ворот с тремя створками, ø120 мм колеса для трубы 80 мм	80	80
11500413 001	RG3-140.80	Kit Ranger for telescopic door with 3 leaves, ø140 mm wheels for 80 mm tubular Kit Ranger pour porte télescopique avec 3 vantaux, galets ø 140 mm pour tubulaire de 80 mm Kit Ranger für teleskopisches Schiebetores mit 3 Flügeln, ø140 mm Rädern für 80 mm Schlauchreifen Kit Ranger para puerta telescópica con 3 hojas, ruedas ø 140 mm para tubular de 80 mm Комплект Ranger для телескопических ворот с тремя створками, ø140 мм колеса для трубы 80 мм	80	120
11500414 001	RG3-140.100	Kit Ranger for telescopic door with 3 leaves, ø140 mm wheels for 100 mm tubular Kit Ranger pour porte télescopique avec 3 vantaux, galets ø 140 mm pour tubulaire de 100 mm Kit Ranger für teleskopisches Schiebetores mit 3 Flügeln, ø140 mm Rädern für 100 mm Schlauchreifen Kit Ranger para puerta telescópica con 3 hojas, ruedas ø 140 mm para tubular de 100 mm Комплект Ranger для телескопических ворот с тремя створками, ø140 мм колеса для трубы 100 мм	100	120



Max leaf weight kg	KIT ELEMENTS				Kit per pack	Kg
	Drive wheel	Free wheel	Drive wheel with low ratio	Standard wheel with half-rounded groove		
200	 Ø 117	 Ø 117	 Ø 117	 Ø 127	1	14.2
200	 Ø 117	 Ø 117	 Ø 117	 Ø 127	1	14.2
200	 Ø 117	 Ø 117	 Ø 117	 Ø 127	1	14.4
200	 Ø 148	 Ø 148	 Ø 148	 Ø 157	1	26.4
200	 Ø 148	 Ø 148	 Ø 148	 Ø 157	1	26.7

NEW

RG2

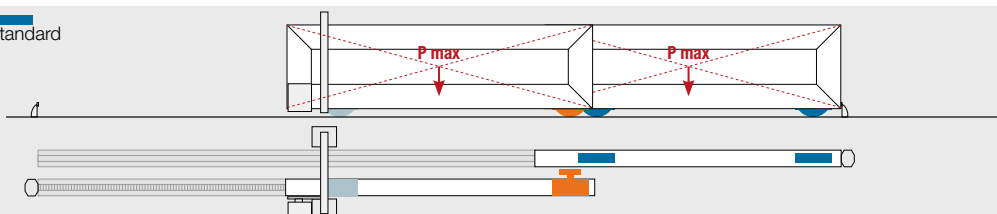
Kit Ranger for telescopic door with 2 leaves, max 400 Kg/leaf
 Kit Ranger pour porte télescopique avec 2 vantaux, max 400 Kg/vantail
 Kit Ranger für teleskopisches Schiebetores mit 2 Flügeln, max 400 Kg/Flügel
 Kit Ranger para puerta telescópica con 2 hojas, max 400 Kg/hoja
 Комплект Ranger для телескопических ворот с 2 створками, макс. 400 Кг/створка



Drive wheel Free wheel Second leaf standard free wheel

Code	Art.	P max Kg	Size	Finishing	Pcs/pack	Kg/pack
11500440 001	RG2-100.50	250	Ø 100 - tubular width 50	Galvanized	1	10,30
11500442 001	RG2-100.60	250	Ø 100 - tubular width 60	Galvanized	1	10,40
11500444 001	RG2-100.80	250	Ø 100 - tubular width 80	Galvanized	1	10,70
11500441 001	RG2-120.50	400	Ø 120 - tubular width 50	Galvanized	1	14,20
11500443 001	RG2-120.60	400	Ø 120 - tubular width 60	Galvanized	1	14,20
11500445 001	RG2-120.80	400	Ø 120 - tubular width 80	Galvanized	1	14,40
11500406 001	RG2-140.80	400	Ø 140 - tubular width 80	Galvanized	1	26,40
11500408 001	RG2-140.100	400	Ø 140 - tubular width 100	Galvanized	1	26,70

PATENT PENDING



NEW

RG3

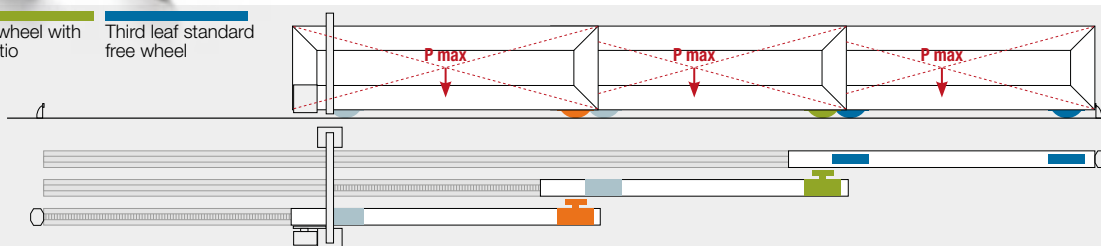
Kit Ranger for telescopic door with 3 leaves, max 200 Kg/leaf
 Kit Ranger pour porte télescopique avec 3 vantaux, max 200 Kg/vantail
 Kit Ranger für teleskopisches Schiebetores mit 3 Flügeln, max 200 Kg/Flügel
 Kit Ranger para puerta telescópica con 3 hojas, max 200 Kg/hoja
 Комплект Ranger для телескопических ворот с 3 створками, макс. 200 Кг/створка



Drive wheel Free wheel Drive wheel with low ratio Third leaf standard free wheel

Code	Art.	P max Kg	Size	Finishing	Pcs/pack	Kg/pack
11500450 001	RG3-120.50	200	Ø 120 - tubular width 50	Galvanized	1	21,80
11500451 001	RG3-120.60	200	Ø 120 - tubular width 60	Galvanized	1	22,50
11500452 001	RG3-120.80	200	Ø 120 - tubular width 80	Galvanized	1	22,80
11500413 001	RG3-140.80	200	Ø 140 - tubular width 80	Galvanized	1	42,60
11500414 001	RG3-140.100	200	Ø 140 - tubular width 100	Galvanized	1	43,20

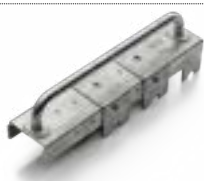
PATENT PENDING



NEW

RG-10

Template kit for alignment and placement of Ranger system tracks
 Kit de gabarit pour l'alignement et le placement de rails du système Rangert
 Schablone Kit für die Einreihung und die Positionierung den Ranger System BodenLaufschiene
 Kit de plantilla para alineación y colocación de rieles del sistema Ranger
 Комплект шаблонов выравнивания и размещения рельсов для системы Ranger



Code	Art.	Size	Finishing	Pcs/pack	Kg/pack
10131110 001	RG-10 P	for rack track RG-30 P	Galvanized	1	6,40
10131101 001	RG-10 G	for rack track RG-30 G	Galvanized	1	6,40

NEW

RG-15

2 Brush kit
 Kit de 2 brosses
 2 Bürsten Kit
 Kit de 2 cepillos
 Комплект 2 щетки



Code	Art.	Size	Finishing	Pcs/pack	Kg/pack
12301600 001	RG-15	L=50 H=102	Galvanized	1	0,80

NEW

RG-20

Template kit for wheels fixation
 Kit de gabarit pour la fixation des galets
 Rädern Befestigung Schablone Kit
 Kit de plantilla para fijación de ruedas
 Комплект шаблонов выравнивания для коле



Code	Art.	Size	Finishing	Pcs/pack	Kg/pack
10131102 001	RG-20		Galvanized	1	0,90

Code	Art.	Size	Finishing	Pcs/pack	Kg/pack
11400539 001	RG-30 P 2MT	15x15 L=80 H=23	Galvanized	1	9,00
11400534 001	RG-30 G 2MT	20x20 L=88 H=24	Galvanized	1	10,80

Versione INOX

Code	Art.	Size	Finishing	Pcs/pack	Kg/pack
11400639	RG-30i P 2MT	15x15 L=80 H=23	S.steel	1	9,00
11400634	RG-30i G 2MT	20x20 L=88 H=24	S.steel	1	10,80

Code	Art.	Size	Finishing	Pcs/pack	Kg/pack
11500420 001	RG-40		Galvanized	1	7,58

Code	Art.	Size	Finishing	Pcs/pack	Kg/pack
11500421	RG-45			1	0,1

Code	Art.	Size	Finishing	Pcs/pack	Kg/pack
11306415 001	RG-252	L=210 H=60 Ø30	Galvanized	1	1,30

Code	Art.	Size	Finishing	Pcs/pack	Kg/pack
11306410 001	RG-254	L=300 H=60 Ø30	Galvanized	1	2,00

Code	Art.	Size	Finishing	Pcs/pack	Kg/pack
10210105 001	RG-387.3M	35X35 x2	Galvanized	1	4,70
10210101 001	RG-387.6M	35X35 x2	Galvanized	1	9,40



NEW RG-30

Rack track to be bolted (P= for 97 mm and 117 mm wheels, G= for 148 mm wheels)
 Rail et crémaillère à visser (P= pour galets de Ø 97 et 117 mm, G= pour galets de Ø 148 mm)
 Rackschiene zur Befestigung (P= für Rädern von 97 - 117 mm, G= für Rädern von 148 mm)
 Carril y cremallera a fijar (P= por ruedas de Ø 97 y Ø 117 mm, G= por ruedas de Ø 148 mm)
 Прикрепляемый зубчатый рельс (P= для колес 97 мм и 117 мм, G= для колес 148 мм)



NEW RG-40

Speed reduction system for M4 module racks
 Système de réduction de vitesse pour crémaillères avec module M4
 Geschwindigkeitsreduzierungssystem für M4-Zahnstangen
 Sistema de reducción de velocidad para cremalleras con módulo M4
 Система снижения скорости для зубчатых реек M4



NEW RG-45

Electromechanical limit switch
 Fin de course électromécanique
 Elektromechanischer Endschalter
 Final de carrera electromecánico
 Электромеханический конечный выключатель



NEW RG-252

Guiding plate for gate with two 2 rollers
 Platine guide-portail avec 2 rouleaux
 Torföhrungsbügel mit 2 Führungsrolle
 Placa de guía de puerta con 2 rodillos
 Регулируемая направляющая пластина для ворот с 2 наконечниками



NEW RG-254

Guiding plate for gate with two 4 rollers
 Platine guide-portail avec 4 rouleaux
 Torföhrungsbügel mit 4 Führungsrolle
 Placa de guía de puerta con 4 rodillos
 Регулируемая направляющая пластина для ворот с 4 наконечниками

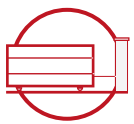


NEW RG-387

3/6 m "u" profile for guiding plate
 RG-254 and RG-253
 Profil 3/6 m en forme de "u" pour platine guide TG-254 et TG-253
 3/6 m U-Profil für Torföhrungsbügel RG-254 und RG-252
 Perfil "U" de 3/6 m para las placas de guía RG-254 y RG-253
 Профиль 3/6м "u" для направляющей пластины RG-254 и RG-252



Life
made
easy



Sliding Gates
Locks, Guide rollers
and Racks

 **COMUNELLO** **GATE**

215

Hook-lock with cylinder
Serrure à crochet avec cylindre
Hackenschloss mit Schließzylinder
Cerradura de gancho con cilindro
Замок с крючком с цилиндром



Code	Art.	Size	Finishing	Capacity Kg	Pcs/pack	Kg/pack
11200501 001	215-50		Galvanized		5	6.23
11200505 001	215-60		Galvanized		5	6.23

215-S

Hook-lock without cylinder
Serrure à crochet sans cylindre
Hackenschloss ohne Schließzylinder
Cerradura de gancho sin cilindro
Замок с крючком без цилиндра



Code	Art.	Size	Finishing	Capacity Kg	Pcs/pack	Kg/pack
11200601 001	215S-50		Galvanized		5	5.25
11200605 001	215S-60		Galvanized		5	5.23

216

Counter-plate for lock 215
Contre-platine pour serrure 215
Gegenplatte für Schloss 215
Contraplaca para cerradura 215
Контрплита для замка 215



Code	Art.	Size	Finishing	Capacity Kg	Pcs/pack	Kg/pack
11201005 001	216		Galvanized		25	3.45

217

End with shock absorber
cups for hook-lock
Butée pour serrure à crochet
avec bouchons amortisseurs
Aufflauschuh für Hackenschloss
mit Schlusdämpfern
Encuentro para cerradura de gancho
con tapones amortiguadores
Упор для замка с крючком с
амортизирующими буферами



Code	Art.	Size	Finishing	Capacity Kg	Pcs/pack	Kg/pack
11201701	217-40	42	Raw		4	2.24
11201705	217-50	52	Raw		4	2.60
11201710	217-60	62	Raw		4	3.96

220

Lock cover
Couvre serrure
Einbauschlosskasten
Cubierta de la cerradura
Крышка для замка



Code	Art.	Size	Finishing	Capacity Kg	Pcs/pack	Kg/pack
11202005	220-40		Raw		20	11.70
11202010	220-50		Raw		20	11.70

222

Plate face hook-lock with cylinder
Serrure à crochet plat avec cylindre
Hackenschloss flach
mit Schließzylinder
Cerradura de gancho frontal
chato con cilindro
Фронтальный плоский замок
с крючком с цилиндром



Code	Art.	Size	Finishing	Capacity Kg	Pcs/pack	Kg/pack
11215530 001	222-30		Galvanized		5	3.20
11215535 001	222-35		Galvanized		5	3.60
11215540 001	222-40		Galvanized		5	3.70
11215545 001	222-45		Galvanized		5	3.75
11215550 001	222-50		Galvanized		5	3.60
11215560 001	222-60		Galvanized		5	4.05

Code	Art.	Size	Finishing	Capacity Kg	Pcs/pack	Kg/pack
11215531 001	223-30		Galvanized		5	2.52
11215536 001	223-35		Galvanized		5	2.64
11215541 001	223-40		Galvanized		5	2.40
11215546 001	223-45		Galvanized		5	2.50
11215551 001	223-50		Galvanized		5	2.60
11215561 001	223-60		Galvanized		5	2.80

**223**

Plate face hook-lock without cylinder
 Serrure à crochet plat sans cylindre
 Hackenschloss flach ohne Schließzylinder
 Cerradura de gancho frontal chato sin cilindro
 Фронтальный плоский замок с крючком без цилиндра

Code	Art.	Size	Finishing	Capacity Kg	Pcs/pack	Kg/pack
11300505 001	227-30	M16	Galvanized		20	6.40
11300510 001	227-42	M16	Galvanized		20	13.80

**227**

Brass roller
 Rouleau en laiton
 Führungsrolle aus Messing
 Rodillo de latón
 Латунный наконечник

Code	Art.	Size	Finishing	Capacity Kg	Pcs/pack	Kg/pack
11301021 001	228-30 nylon	M16	Black		20	3.70
11301031 001	228-40 nylon	M16	Black		20	5.20
11301041 001	228-50 gomma	M16	Black		20	5.22

**228**

228-30 / 228-40

Black nylon roller - Rouleau en nylon noir - Schwarze Nylon-Führungsrolle - Rodillo de nailon negro - Нейлоновый черный наконечник

228-50

Black rubber roller - Rouleau en caoutchouc noir - Schwarze Gummi-Führungsrolle - Rodillo de goma negra - Направляющий ролик в черный резиновом

Code	Art.	Size	Finishing	Capacity Kg	Pcs/pack	Kg/pack
19915400 001	SP-228-50 nylon	M20	Black		2	1,20

Code	Art.	Size	Finishing	Capacity Kg	Pcs/pack	Kg/pack
11308002 001	229-32 gomma	M14	Black		20	3.00
11308003 001	229-39 gomma	M16	Black		20	5.40
11308001 001	229-45 gomma	M20	Black		20	7.80

**229**

Black rubber and nylon roller
 Rouleau en caoutchouc et nylon noir
 Schwarze Gummi-Führungsrolle
 Rodillo de goma/nailon negro
 Направляющий ролик в нейлоновом резиновом би-материале

Code	Art.	Size	Finishing	Capacity Kg	Pcs/pack	Kg/pack
11301005 001	230-25	M14	Galvanized		20	2.44
11301010 001	230-30	M16	Galvanized		20	3.70
11301015 001	230-40	M16	Galvanized		20	5.24
11301017 001	230-41	M16	Galvanized		20	4.40
11301020 001	230-42	M16	Galvanized		20	5.46

**230**

Nylon roller
 Rouleau en nylon
 Nylon-Führungsrolle
 Rodillo de nylon
 Нейлоновый наконечник

Code	Art.	Size	Finishing	Capacity Kg	Pcs/pack	Kg/pack
11301505 001	231-52	M16	Galvanized		20	5.74

**231**

Nylon roller
 Rouleau en nylon
 Nylon-Führungsrolle
 Rodillo de nylon
 Нейлоновый наконечник

232

Nylon roller with accident prevention
Rouleau en nylon pour la prévention des accidents
Nylon-Führungsrolle für die Unfallverhütung
Rodillo de nylon con protección
Нейлоновый наконечник с защитой от несчастных случаев



Code	Art.	Size	Finishing	Capacity Kg	Pcs/pack	Kg/pack
11302210 001	232-30	M16	Galvanized		20	4.20
11302215 001	232-40	M16	Galvanized		20	5.68

NEW
232N

Black nylon roller with accident prevention
Rouleau en nylon noir pour la prévention des accidents
Schwarze Nylon-Führungsrolle für die Unfallverhütung
Rodillo negro de nailon con protección
Чернить Нейлоновый наконечник с защитой от несчастных случаев



Code	Art.	Size	Finishing	Capacity Kg	Pcs/pack	Kg/pack
11302211 001	232N-30 nylon	M16	Galvanized		20	4,4
11302217 001	232N-40 nylon	M16	Galvanized		20	5,9

NEW
233

Nylon roller with O-ring
Rouleau en nylon avec joint toriques
Nylon-Führungsrolle mit O-ring
Rodillo de nailon con juntas tórica
Нейлоновый наконечник с уплотнительным кольцом



Code	Art.	Size	Finishing	Capacity Kg	Pcs/pack	Kg/pack
11301009 001	233-25	M14	Galvanized		20	1.50
11301014 001	233-30	M16	Galvanized		20	4.36
11301022 001	233-40	M16	Galvanized		20	5.90

235

Nylon roller
Rouleau en nylon
Nylon-Führungsrolle
Rodillo de nylon
Нейлоновый наконечник



Code	Art.	Size	Finishing	Capacity Kg	Pcs/pack	Kg/pack
11302005 001	235-35	M10	Galvanized		20	2.02

240

Nylon roller
Rouleau en nylon
Nylon-Führungsrolle
Rodillo de nylon
Нейлоновый наконечник



Code	Art.	Size	Finishing	Capacity Kg	Pcs/pack	Kg/pack
11302010 001	240-37,5	M10	Galvanized		20	2.18

242

Nylon conical roller
Rouleau conique en nylon
Nylon-Führungsrolle mit konischem Verlauf
Rodillo cónico de nylon
Нейлоновый конический наконечник



Code	Art.	Size	Finishing	Capacity Kg	Pcs/pack	Kg/pack
11302505 001	242-37,5	M10	Galvanized		20	2.30

Code	Art.	Size	Finishing	Capacity Kg	Pcs/pack	Kg/pack
11303005 001	243-25	M12	Galvanized		20	2.34
11303010 001	243-30	M14	Galvanized		20	3.30
11303015 001	243-40	M14	Galvanized		20	3.58

**243**

Nylon roller
Rouleau en nylon
Nylon-Führungsrolle
Rodillo de nylon
Нейлоновый роликовый наконечник

Code	Art.	Size	Finishing	Capacity Kg	Pcs/pack	Kg/pack
11303505 001	244-25	M12	Galvanized		20	1.32
11303510 001	244-30	M14	Galvanized		20	2.10
11303515 001	244-40	M14	Galvanized		20	3.22

**244**

Pivot with bearing
Pivot avec roulement
Bolzen mit Kugellager
Perno con rodamiento
Штифт с подшипником

Code	Art.	Size	Finishing	Capacity Kg	Pcs/pack	Kg/pack
11304005 001	245-32	M14	Galvanized		20	2.90
11304010 001	245-35	M14	Galvanized		20	3.30
11304015 001	245-42	M14	Galvanized		20	4.10

**245**

Pivot with bearing
Pivot avec roulement
Bolzen mit Kugellager
Perno con rodamiento
Штифт с подшипником

Code	Art.	Size	Finishing	Capacity Kg	Pcs/pack	Kg/pack
11305005 001	247	Ø34,5 R30-60	Galvanized		20	9.46

**247**

Small drive-gate plate
Petite platine guide-portail
Kleiner Führungsbügel
Placa pequeña de guía de la puerta
Пластина мининаправляющая ворот

Code	Art.	Size	Finishing	Capacity Kg	Pcs/pack	Kg/pack
11305008 001	247F	Ø30 R0-85	Galvanized		20	9.35

**247 F**

Small drive-gate plate
Petite platine guide-portail
Kleiner Führungsbügel
Placa pequeña de guía de la puerta
Пластина мининаправляющая ворот

Code	Art.	Size	Finishing	Capacity Kg	Pcs/pack	Kg/pack
11305505 001	250-220	Ø34,5 R30-60	Galvanized		10	12.52

**250**

Drive-gate adjustable plate
Platine guide-portail réglable
Verstellbarer Torführungsügel
Placa de guía de la puerta regulable
Пластина регулируемая направляющая ворот

251

Adjustable drive-gate plate with angle-brackets
 Platine guide-portail réglable avec plaques d'angle
 Verstellbarer Torführungsbügel mit Eckhalterungen
 Placa de guía de la puerta regulable con estribos de fijación
 Пластина регулируемая направляющая ворот с угловыми скобами



Code	Art.	Size	Finishing	Capacity Kg	Pcs/pack	Kg/pack
11305805 001	251-220	Ø30 R0-80	Galvanized		4	13.33
11305810 001	251-300	Ø40 R0-120	Galvanized		2	7.50

252

Double adjustment plate to be screwed for gates with 2 columns
 Platine double réglage à visser pour portails avec 2 colonnes
 Platte zum Anschrauben mit Doppelverstellung für Tore mit zwei Pfeiler
 Placa doble regulación para fijar para puertas con dos columnas
 Прикрепляемая пластина с двойным регулированием для ворот с двумя стойками



Code	Art.	Size	Finishing	Capacity Kg	Pcs/pack	Kg/pack
11306205 001	252-200	Ø40 R0-300	Galvanized		1	4.12

253

Big nylon-roller to be screwed
 Rouleau en nylon grand à visser
 Maxi-Walze aus Nylon zum Anschrauben
 Maxi-rodillo de nylon para fijar
 Прикрепляемый максироллик из нейлона



Code	Art.	Size	Finishing	Capacity Kg	Pcs/pack	Kg/pack
11305701 001	253-40	L236	Galvanized		3	3.00

NEW

254

Adjustable guiding plate for gates to be screwed, Nylon rollers Ø 52
 Platine guide-portail réglable à visser, Rouleaux en nylon Ø 52
 Verstellbarer Torführungsbügel zum Anschrauben, Nylon-Führungsrollen Ø 52
 Placa de guía regulable a fijar por correderas, rodillos en nylon Ø 52
 Прикрепляемый регулируемая направляющая ворот, Нейлоновый наконечник Ø 52



Code	Art.	Size	Finishing	Capacity Kg	Pcs/pack	Kg/pack
11305405 001	254	Ø52 R0-200	Galvanized		4	9.20

255

Guiding plate for gates with double adjustment
 Platine guide-portail à double réglage
 Torführungsbügel mit Doppelverstellung
 Placa de guía de la puerta de doble regulación
 Пластина направляющая ворот с двойным регулированием



Code	Art.	Size	Finishing	Capacity Kg	Pcs/pack	Kg/pack
11306005 001	255-220	Ø30 R35-62	Galvanized		10	22.71
11306009 001	255-220 D40	NEW Ø40 R35-62	Galvanized		10	22.71
11306010 001	255-350	Ø40 R62-85	Galvanized		5	27.92

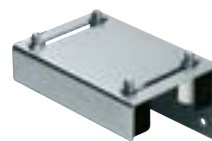
255-N

Guiding plate for gates with double adjustment
 Platine guide-portail à double réglage
 Torführungsbügel mit Doppelverstellung
 Placa de guía de la puerta de doble regulación
 Пластина направляющая ворот с двойным регулированием



Code	Art.	Size	Finishing	Capacity Kg	Pcs/pack	Kg/pack
11306004 001	255N-220	Ø30 R35-62	Galvanized		10	22.71
11306011 001	255N-350	Ø40 R62-85	Galvanized		5	27.92

Code	Art.	Size	Finishing	Capacity Kg	Pcs/pack	Kg/pack
11305905 001	256-220	Ø30 R0-80	Galvanized		4	12.57
11305910 001	256-300	Ø40 R0-120	Galvanized		2	9.03

**256**

Adjustable guiding plate for gates with long wing to be screwed
 Platine guide-portail réglable avec aile longue à visser
 Verstellbarer Torführungsbügel mit langem Flügel zum Anschrauben
 Placa de guía de la puerta regulable con ala larga para fijar
 Пластина регулируемая направляющая ворот с длинной прикрущаемой полкой

Code	Art.	Size	Finishing	Capacity Kg	Pcs/pack	Kg/pack
11306510 001	257-300	R0-117	Galvanized		4	15.85
11306515 001	257-400	R0-117	Galvanized		4	18.50
11306520 001	257-500	R0-117	Galvanized		4	22.02
11306525 001	257-600	R0-117	Galvanized		4	23.72
11306530 001	257-700	R0-117	Galvanized		4	26.85
11306535 001	257-800	R0-117	Galvanized		4	29.41

**257**

Adjustable big plate for gates
 Platine guide-portail réglable géante
 Extra-grosser verstellbarer Torführungsbügel
 Placa de guía de la puerta regulable gigante
 Пластина регулируемая направляющая ворот формат гигантский

Code	Art.	Size	Finishing	Capacity Kg	Pcs/pack	Kg/pack
11306405 001	258-30	R30-45	Galvanized		6	14.40

combinable with the "U" profile RG-387

**258**

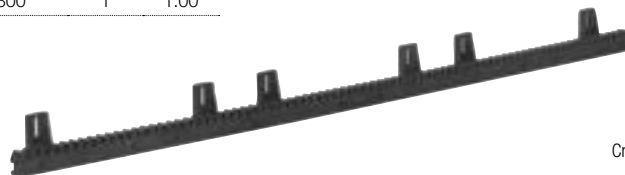
Adjustable internal guiding plate for gates to be screwed
 Platine guide-portail intérieur réglable à visser
 Verstellbarer Innenführungsbügel für Tore zum Anschrauben
 Placa de guía de la puerta interior regulable para fijar
 Внутренняя прикрущаемая пластина регулируемая направляющая ворот

Code	Art.	Size	Finishing	Capacity Kg	Pcs/pack	Kg/pack
11400505 001	260-22x22	L=1000	Galvanized	3000	1	3.13
11400510 001	260-22x22	L=2000	Galvanized	3000	1	6.22
11400515 001	260-30x30	L=1000	Galvanized	3000	1	6.00
11400518 001	260-30x30	L=2000	Galvanized	3500	1	12.00

**260**

Square rack
 Crémaillère carrée
 Viereckige Zahnstange
 Cremallera cuadrada
 Зубчатая рейка квадратная

Code	Art.	Size	Finishing	Capacity Kg	Pcs/pack	Kg/pack
11400102	261-26X20	L=1000	Nylon	800	1	1.00

**261**

Nylon-rack with steel body
 Crémaillère en nylon avec corps en acier
 Nylon-Zahnstange mit Stahlkörper
 Cremallera de nylon y cuerpo de acero
 Зубчатая рейка из нейлона и корпус из нержавеющей стали

Code	Art.	Size	Finishing	Capacity Kg	Pcs/pack	Kg/pack
11401205 001	262-30x8	L=1000	Galvanized	1000	1	1.63
11401005 001	262-30x12	L=1000	Galvanized	1000	1	2.44
11401010 001	262-30x12	L=2000	Galvanized	1000	1	4.87

**262**

Rectangular rack 30x8-30x12 with holes
 Crémaillère rectangulaire 30x8-30x12 avec trous
 Rechteckige Zahnstange 30x8-30x12 mit Bohrungen
 Cremallera Rectangular 30x8 - 30x12 con agujeros
 Зубчатая рейка прямоугольная 30x8 - 30x12 с отверстиями

263

Fixing unit for rectangular rack
 Attache-entretoise pour
 crémaillère rectangulaire
 Distanzstück für rechteckige
 Zahnstange
 Distanciador para cremallera
 rectangular
 Распорная деталь для
 прямоугольной зубчатой рейки



Code	Art.	Size	Finishing	Capacity Kg	Pcs/pack	Kg/pack
11401710 001	263		Galvanized		30	2.01

264

Support for rectangular
 rack to be welded
 Attache entretoise pour
 crémaillère rectangulaire
 Distanzstück für rechteckige
 Zahnstange zum Schweißen
 Fijación para soldar para
 cremallera rectangular
 Привариваемое соединение для
 прямоугольной зубчатой рейки



Code	Art.	Size	Finishing	Capacity Kg	Pcs/pack	Kg/pack
11401505 001	264		Galvanized		30	1.50

265

Antitheft rack
 Crémaillère antivol
 Zackenleiste
 Cremallera contra intrusión
 Зубчатая рейка против
 проникновения



Code	Art.	Size	Finishing	Capacity Kg	Pcs/pack	Kg/pack
11402001	265	L=2000	Raw		10	8.39
11402005	265	L=3000	Raw		10	13.39

NEW
 265L

Antitheft rack to be fixed
 Crémaillère antivol à visser
 Zackenleiste zum Anschrauben
 Cremallera contra intrusión para fijar
 Прикрепляемый Зубчатая рейка
 против проникновения



Code	Art.	Size	Finishing	Capacity Kg	Pcs/pack	Kg/pack
11402002 001	265L	L=1992	Hot dip galvanised		10	20

266

Alloy support for rectangular rack
 Attache entretoise en zamak
 pour crémaillère rectangulaire
 Zamak-Distanzstück für
 rechteckige Zahnstange
 Fijación de zamak para
 cremallera rectangular
 Соединение из сплава замка для
 прямоугольной зубчатой рейки



Code	Art.	Size	Finishing	Capacity Kg	Pcs/pack	Kg/pack
11402505 001	266		Galvanized		30	2.07

270

Flush-mounted handle
 Poignée à encaisser
 Muschelgriff
 Tirador encastrar
 Встраиваемая ручка



Code	Art.	Size	Finishing	Capacity Kg	Pcs/pack	Kg/pack
10902005 001	270P	52X115	Galvanized		30	2.46
10902010 001	270G	90X200	Galvanized		30	7.29

Code	Art.	Size	Finishing	Capacity Kg	Pcs/pack	Kg/pack
10903005 001	272	90X200	Galvanized		30	11.40



272

Flush-mounted handle with lever
Poignée à encaisser avec levier
Muschelgriff mit Triebriegel
Tirador encastrar con manilla
Встраиваемая ручка с рычагом

Code	Art.	Size	Finishing	Capacity Kg	Pcs/pack	Kg/pack
10702005 001	275	40-50	Galvanized		4	2.84



275

Easy to set up adjustable batten
Battant réglable à montage rapide
Einfach zum Einstellen
verstellbares Schließblech
Batiente de la puerta con encuentro
de montaje rápido regulable
Дверной стопор с быстрым
монтажом регулируемый

Code	Art.	Size	Finishing	Capacity Kg	Pcs/pack	Kg/pack
10702011 001	275F-30	30	Galvanized		4	2.20
10702016 001	275F-40	40	Galvanized		4	2.40
10702021 001	275F-50	50	Galvanized		4	2.80
10702026 001	275F-60	60	Galvanized		4	2.90



275F

Battent
Battant
Schließblech
Batiente de la puerta con encuentro
Дверной стопор

Code	Art.	Size	Finishing	Capacity Kg	Pcs/pack	Kg/pack
10812005 001	282-40x40	R71-84	Galvanized	400	10	17.56



282

Hinge "Giuliano"
Gond "Giuliano"
Torband "Giuliano"
Bisagra "Giuliano"
Петля "Giuliano"

Code	Art.	Size	Finishing	Capacity Kg	Pcs/pack	Kg/pack
10813005 001	285-40x40	R71-84	Galvanized	400	2	6.07

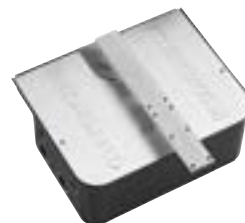


285

Kit for hinge "Giuliano"
Kit complet gond "Giuliano"
Satz Torband "Giuliano"
Kit completo bisagra "Giuliano"
Комплект для петли "Giuliano"

Code	Art.	Size	Finishing	Capacity Kg	Pcs/pack	Kg/pack
GEE000BXNOB00	EAGLE BOX	404x331H 170/214	Galvanized		1	11,5 6.07

COMUNELLO
AUTOMATION

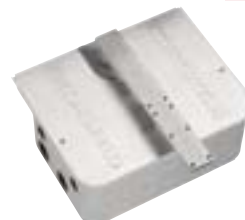


EAGLE BOX

Foundation box cataphoresis,
arm kit included
Boîtier de fondation cataforesis
avec kit bras et leviers
Kataphorese Fundamentkasten,
inklusive Arm Kit
Grupo caja de fundación cataforesis
con kit brazos y cammas
катафорез основной коробка,
комплект рука включены

Code	Art.	Size	Finishing	Capacity Kg	Pcs/pack	Kg/pack
GEE000BXNOG00	EAGLE BOX-HG	404x331H 170/214	Hot dip galvanised		1	11,5 6.07

COMUNELLO
AUTOMATION

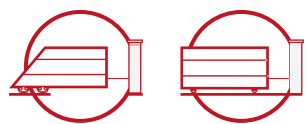


EAGLE BOX-HG

Hot dipped galvanised foundation box with
316L stainless steel lid, arm kit included
Boîte de fondation galvanisée à chaud avec couvercle
en acier inoxydable 316L, avec kit bras et leviers
feuerverzinkte Fundamentkasten Gruppe mit
Oberkasten auf Edelstahl 316L, Antriebsstange
und Betätigungsbügel einschliesslich
Caja de cimentación galvanizada a caliente con tapa
de acero inoxidable 316L, con kit brazos y cammas
Фундаментная коробка из горячеоцинкованной
стали с крышкой из нержавеющей стали 316L,
комплект кронштейнов входит в комплект.



Life
made
easy



Sliding Gates Rails

 **COMUNELLO****GATE**

287

Track to be cemented "Pendolino"
 Rail à sceller "Pendolino"
 Bodenlaufschiene zum
 Einbetonieren "Pendolino"
 Carril para cementar "Pendolino"
 Рельсы цементируемые "Pendolino"



Code	Art.	Size	Finishing	Pcs/pack	Kg/pack
10204001 001	287P-Ø15-Sp3	L=3000	Galvanized	10	75.00
10204011 001	287P-Ø15-Sp3	L=3000	Galvanized	54	405.00
10204002 001	287P-Ø15-Sp3	L=6000	Galvanized	10	150.00
10204012 001	287P-Ø15-Sp3	L=6000	Galvanized	54	810.00
10204018 001	287-Ø17-Sp3	L=6000	Galvanized	10	184.00
10204020 001	287-Ø17-Sp3	L=6000	Galvanized	54	993.60
10204013 001	287G-Ø19-Sp3	L=3000	Galvanized	10	93.31
10204007 001	287G-Ø19-Sp3	L=3000	Galvanized	54	503.87
10204014 001	287G-Ø19-Sp3	L=6000	Galvanized	10	186.63
10204008 001	287G-Ø19-Sp3	L=6000	Galvanized	54	972.00
10204015 001	287G-Ø19-Sp4	L=3000	Galvanized	10	123.03
10204009 001	287G-Ø19-Sp4	L=3000	Galvanized	54	664.36
10204016 001	287G-Ø19-Sp4	L=6000	Galvanized	10	226.00
10204010 001	287G-Ø19-Sp4	L=6000	Galvanized	54	1,188.00

287FP

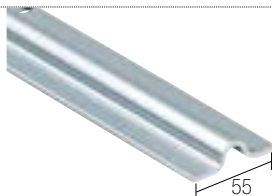
Kit for art. 287G at floor
 level 4mm tick
 Kit pour art.287G au niveau
 du sol épaisseur 4mm
 Satz für art. 287G auf dem
 Fußbodenniveau 4mm stark
 Kit para 287G esp.4 mm
 a ras del suelo
 Комплект для 287G толщ.4
 мм на уровне пола



Code	Art.	Size	Finishing	Pcs/pack	Kg/pack
10204201 001	287FP-G	L=3000	Galvanized	1	10.95
10204202 001	287FP-G	L=6000	Galvanized	1	21.72

289

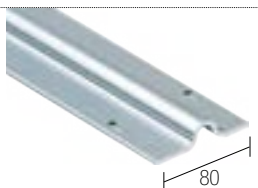
Track to be bolted "Rapido"
 Rail à visser "Rapido"
 Laufschiene zum
 Anschrauben "Rapido"
 Carril para fijar "Rápido"
 Рельсы прикрепляемые "Rapido"



Code	Art.	Size	Finishing	Pcs/pack	Kg/pack
10201501 001	289P-Ø15-Sp3	L=3000	Galvanized	25	115.88
10201502 001	289P-Ø15-Sp3	L=6000	Galvanized	25	232.10
10201505 001	289G-Ø19-Sp3	L=3000	Galvanized	25	122.63
10201510 001	289G-Ø19-Sp3	L=6000	Galvanized	25	240.00

289LG

Track to be bolted "Rapido"
 Rail à visser "Rapido"
 Laufschiene zum
 Anschrauben "Rapido"
 Carril para fijar "Rápido"
 Рельсы прикрепляемые "Rapido"



Code	Art.	Size	Finishing	Pcs/pack	Kg/pack
10201517 001	289LG-Ø19-Sp3	L=3000	Galvanized	25	66.78
10201518 001	289LG-Ø19-Sp3	L=6000	Galvanized	25	133.56

290

Connection pin for track
 Art. 289 - Ø15
 Jonction pour rail Art. 289 - Ø15
 Verbindungsstift zum
 Laufschiene Art. 289 - Ø15
 Pasador de conexión para
 carril Art.289 - Ø15
 Соединительный штырь
 для рельс арт.289 - Ø15



Code	Art.	Size	Finishing	Pcs/pack	Kg/pack
10601501 001	290	90-Ø9	Galvanized	10	0.45

Code	Art.	Size	Finishing	Pcs/pack	Kg/pack
10602005 001	291	80-Ø12	Galvanized	10	0.75

**291**

Connection pin for track
Art. 289 - Ø19
Jonction pour rail Art. 289 - Ø19
Verbindungsstift zum
Laufschiene Art. 289 - Ø19
Pasador de conexión para
carril Art.289 - Ø19
Соединительный штырь
для рельс арт.289 - Ø19

Code	Art.	Size	Finishing	Pcs/pack	Kg/pack
10201905 001	292	L=3000	Galvanized	26	289.90
10201910 001	292	L=6000	Galvanized	26	579.80

**292**

Track to be cemented "Espresso"
Rail à sceller "Espresso"
Laufschiene zum
Einbetonieren "Espresso"
Pasador para cementar "Espresso"
Рельсы цементируемые "Espresso"

Code	Art.	Size	Finishing	Pcs/pack	Kg/pack
10201705 001	293	L=3000	Galvanized	25	112.50
10201710 001	293	L=6000	Galvanized	25	225.00

**293**

Track to be bolted "Diretto"
Rail à visser "Diretto"
Laufschiene zum
Anschrauben "Diretto"
Carril para fijar "Diretto"
Рельсы прикрепляемые "Diretto"

Code	Art.	Size	Finishing	Pcs/pack	Kg/pack
10602205 001	294	90-Ø17	Galvanized	10	1.60

**294**

Connection pin for track Art. 292
Jonction pour rail Art. 292
Verbindungsstift zum Art. 292
Pasador de conexión
para carril Art.292
Соединительный штырь
для рельс арт.292

Code	Art.	Size	Finishing	Pcs/pack	Kg/pack
10602405 001	295	90-Ø9,5	Galvanized	10	0.50

**295**

Connection pin for track
Art. 293 - 287 Ø15
Jonction pour rail Art. 293 - 287 Ø15
Verbindungsstift zum
Art. 293 - 287 Ø15
Pasador de conexión para
carril Art.293 - 287 Ø15
Соединительный штырь для
рельс арт.293 - 287 Ø15

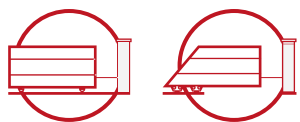
Code	Art.	Size	Finishing	Pcs/pack	Kg/pack
10601605 001	297	90-Ø12,5	Galvanized	10	0.90
10601610 001	297G	90-Ø11,0	Galvanized	10	0.70

**297**

Connection pin for
Art.287G 3-4 mm tick
Jonction pour rail
Art.287G ép. 3-4 mm
Verbindungsstift zum Artikel
287G 3-4 mm Stärke
Pasador de conexión para
carril Art.287G - esp.3-4 mm
Соединительный штырь для
рельс арт.287G - толщ.3-4 мм



Life
made
easy



Sliding Gates
Wheels

 **COMUNELLO****GATE**

300 W

1 BEARING

Wheel with V groove
Galet avec gorge V
Laufrolle mit V-Rille
Rueda canal V
Колесо с пазом V



Code	Art.	Size	Finishing	Capacity Kg	Pcs/pack	Kg/pack
11501001 001	300V-40	Ø40	Galvanized	50	50	5.25
11501005 001	300V-50	Ø50	Galvanized	70	30	5.01
11501010 001	300V-60	Ø60	Galvanized	100	12	3.62
11501015 001	300V-70	Ø68	Galvanized	190	12	6.55
11501020 001	300V-80	Ø78	Galvanized	200	10	7.10
11501030 001	300V-90	Ø88	Galvanized	210	8	7.37
11501040 001	300V-100	Ø98	Galvanized	220	8	9.27
11501050 001	300V-120	Ø117	Galvanized	240	6	10.00
11501060 001	300V-140	Ø137	Galvanized	270	2	5.31
11501070 001	300V-160	Ø157	Galvanized	290	2	6.98
11501080 001	300V-200	Ø197	Galvanized	330	2	11.22

300 U

1 BEARING

Wheel with U groove
Galet avec gorge U
Laufrolle mit U-Rille
Rueda canal U
Колесо с пазом U



Code	Art.	Size	Finishing	Capacity Kg	Pcs/pack	Kg/pack
11500501 001	300U-40	Ø40	Galvanized	50	50	5.05
11500505 001	300U-50	Ø50	Galvanized	70	30	4.80
11500510 001	300U-60	Ø60	Galvanized	100	12	3.70
11500515 001	300U-70	Ø68	Galvanized	190	12	6.46
11500520 001	300U-80	Ø78	Galvanized	200	10	7.00
11500530 001	300U-90	Ø88	Galvanized	210	8	7.40
11500540 001	300U-100	Ø98	Galvanized	220	8	9.26
11500550 001	300U-120	Ø117	Galvanized	240	6	10.00
11500560 001	300U-140	Ø137	Galvanized	270	2	4.94
11500570 001	300U-160	Ø157	Galvanized	290	2	6.56
11500580 001	300U-200	Ø197	Galvanized	330	2	11.22

305 W

2 BEARINGS

Wheel with V groove
Galet avec gorge V
Laufrolle mit V-Rille
Rueda canal V
Колесо с пазом V



Code	Art.	Size	Finishing	Capacity Kg	Pcs/pack	Kg/pack
11502040 001	305V-100	Ø98	Galvanized	425	8	11.68
11502050 001	305V-120	Ø117	Galvanized	450	6	12.64
11502060 001	305V-140	Ø137	Galvanized	550	2	6.56
11502070 001	305V-160	Ø157	Galvanized	575	2	9.24
11502080 001	305V-200	Ø197	Galvanized	625	2	14.83

305 U

2 BEARINGS

Wheel with U groove
Galet avec gorge U
Laufrolle mit U-Rille
Rueda canal U
Колесо с пазом U



Code	Art.	Size	Finishing	Capacity Kg	Pcs/pack	Kg/pack
11501540 001	305U-100	Ø98	Galvanized	425	8	10.73
11501550 001	305U-120	Ø117	Galvanized	450	6	12.75
11501560 001	305U-140	Ø137	Galvanized	550	2	6.56
11501570 001	305U-160	Ø157	Galvanized	575	2	8.54
11501580 001	305U-200	Ø197	Galvanized	625	2	13.95

306 W

1 BEARING

Wheel with discharge Y groove
Galet gorge Y avec décharge
Laufrolle mit Y-Rille
Rueda canal Y con descarga
Колесо с пазом Y со стоком



Code	Art.	Size	Finishing	Capacity Kg	Pcs/pack	Kg/pack
11502510 001	306Y-60	Ø60	Galvanized	100	12	3.54
11502520 001	306Y-80	Ø78	Galvanized	200	10	6.90
11502530 001	306Y-90	Ø88	Galvanized	210	8	7.12
11502540 001	306Y-100	Ø98	Galvanized	220	8	8.90
11502550 001	306Y-120	Ø117	Galvanized	240	6	10.00
11502560 001	306Y-140	Ø137	Galvanized	270	2	5.22
11502570 001	306Y-160	Ø157	Galvanized	290	2	6.86
11502580 001	306Y-200	Ø197	Galvanized	330	2	11.30

Code	Art.	Size	Finishing	Capacity Kg	Pcs/pack	Kg/pack
11503040 001	307Y-100	Ø98	Galvanized	425	8	11.38
11503050 001	307Y-120	Ø117	Galvanized	450	6	12.48
11503060 001	307Y-140	Ø137	Galvanized	550	2	6.56
11503070 001	307Y-160	Ø157	Galvanized	575	2	9.19
11503080 001	307Y-200	Ø197	Galvanized	625	2	14.77

**307**

2 BEARINGS

Wheel with discharge Y groove
 Galet gorge Y avec décharge
 Laufrolle mit Y-Rille
 Rueda canal Y con descarga
 Колесо с пазом Y со стоком

Code	Art.	Size	Finishing	Capacity Kg	Pcs/pack	Kg/pack
11503505 001	308-50	Ø50	Galvanized	100	12	2.52
11503510 001	308-60	Ø60	Galvanized	100	12	3.53
11503520 001	308-80	Ø78	Galvanized	200	10	5.46

**308 W**

1 BEARING

Wheel with Y-rounded groove
 Galet avec gorge Y arrondie
 Laufrolle mit Y-Rille
 abgerundeter führung
 Rueda canal Y con racor
 Колесо с пазом Y с патрубком

Code	Art.	Size	Finishing	Capacity Kg	Pcs/pack	Kg/pack
11504020 001	309-80	Ø78	Galvanized	380	10	8.10
11504040 001	309-100	Ø98	Galvanized	400	8	11.38
11504050 001	309-120	Ø117	Galvanized	420	6	11.54
11504060 001	309-140	Ø137	Galvanized	540	2	6.25

**309 W**

2 BEARINGS

Wheel with Y-rounded groove
 Galet avec gorge Y arrondie
 Laufrolle mit Y-Rille
 abgerundeter führung
 Rueda canal Y con racor
 Колесо с пазом Y с патрубком

Code	Art.	Size	Finishing	Capacity Kg	Pcs/pack	Kg/pack
11504501 001	310-40	Ø40	Galvanized	50	50	5.05
11504505 001	310-50	Ø50	Galvanized	70	30	4.74
11504510 001	310-60	Ø60	Galvanized	100	12	4.09
11504515 001	310-70	Ø68	Galvanized	190	12	5.80
11504520 001	310-80	Ø78	Galvanized	200	10	6.40
11504525 001	310-80S	Ø78	Galvanized	200	10	6.55
11504530 001	310-90	Ø88	Galvanized	210	8	6.90
11504535 001	310-90S	Ø88	Galvanized	210	8	6.90
11504540 001	310-100	Ø98	Galvanized	220	8	8.65
11504545 001	310-100S	Ø98	Galvanized	220	8	8.81
11504550 001	310-120	Ø117	Galvanized	240	6	10.36
11504560 001	310-140	Ø137	Galvanized	270	2	4.95
11504570 001	310-160	Ø157	Galvanized	290	2	6.55
11504580 001	310-200	Ø197	Galvanized	330	2	10.65

**310 W**

1 BEARING

Wheel with half-rounded groove
 Galet avec gorge demi-ronde
 Laufrolle mit Rundrille
 Rueda canal semirredondo
 Колесо с полукруглым пазом

Code	Art.	Size	Finishing	Capacity Kg	Pcs/pack	Kg/pack
11505040 001	315-100	Ø98	Galvanized	425	8	10.80
11505050 001	315-120	Ø117	Galvanized	450	6	11.91
11505060 001	315-140	Ø137	Galvanized	550	2	6.24
11505070 001	315-160	Ø157	Galvanized	575	2	8.85
11505080 001	315-200	Ø197	Galvanized	625	2	14.36

**315 W**

2 BEARINGS

Wheel with half-rounded groove
 Galet avec gorge demi-ronde
 Laufrolle mit Rundrille
 Rueda canal semirredondo
 Колесо с полукруглым пазом

320 W

1 BEARING



Grease gun wheel with V groove
Galet à graisseur gorge V
Laufrolle V-Rille mit Schmiernippel
Rueda con engrasador canal V
Колесо с масленкой с пазом V

Code	Art.	Size	Finishing	Capacity Kg	Pcs/pack	Kg/pack
11506040 001	320V-100	Ø97	Galvanized	380	8	8.65
11506050 001	320V-120	Ø117	Galvanized	400	6	13.30
11506070 001	320V-160	Ø157	Galvanized	710	2	8.60
11506080 001	320V-200	Ø197	Galvanized	750	2	13.75
11506090 001	320V-250	Ø247	Galvanized	800	2	24.40

320 U

1 BEARING



Grease gun wheel with U groove
Galet à graisseur gorge U
Laufrolle U-Rille mit Schmiernippel
Rueda con engrasador canal U
Колесо с масленкой с пазом U

Code	Art.	Size	Finishing	Capacity Kg	Pcs/pack	Kg/pack
11505540 001	320U-100	Ø97	Galvanized	380	8	8.65
11505550 001	320U-120	Ø117	Galvanized	400	6	11.57
11505570 001	320U-160	Ø157	Galvanized	710	2	7.87
11505580 001	320U-200	Ø197	Galvanized	750	2	13.75
11505590 001	320U-250	Ø247	Galvanized	800	2	24.40

320 Y

1 BEARING



Grease gun wheel with Y groove
Galet à graisseur gorge Y
Laufrolle Y-Rille mit Schmiernippel
Rueda con engrasador canal Y
Колесо с масленкой с пазом Y

Code	Art.	Size	Finishing	Capacity Kg	Pcs/pack	Kg/pack
11506240 001	320Y-100	Ø97	Galvanized	380	8	8.65
11506250 001	320Y-120	Ø117	Galvanized	400	6	11.57
11506270 001	320Y-160	Ø157	Galvanized	710	2	7.83
11506280 001	320Y-200	Ø197	Galvanized	750	2	13.75
11506290 001	320Y-250	Ø247	Galvanized	800	2	24.40

322 W

2 BEARINGS



Grease gun wheel with V groove
Galet à graisseur gorge V
Laufrolle V-Rille mit Schmiernippel
Rueda con engrasador canal V
Колесо с масленкой с пазом V

Code	Art.	Size	Finishing	Capacity Kg	Pcs/pack	Kg/pack
11507040 001	322V-100	C=44 Ø98	Galvanized	580	8	15.00
11507041 001	322V-100	C=54 Ø98	Galvanized	580	8	15.00
11507050 001	322V-120	C=44 Ø117	Galvanized	600	6	16.00
11507051 001	322V-120	C=54 Ø117	Galvanized	600	6	16.33
11507070 001	322V-160	C=44 Ø157	Galvanized	960	2	10.40
11507071 001	322V-160	C=54 Ø157	Galvanized	960	2	10.60
11507072 001	322V-160	C=74 Ø157	Galvanized	960	2	10.83
11507080 001	322V-200	C=44 Ø197	Galvanized	1000	2	16.90
11507081 001	322V-200	C=54 Ø197	Galvanized	1000	2	17.10
11507082 001	322V-200	C=74 Ø197	Galvanized	1000	2	17.40
11507090 001	322V-250	C=72 Ø247	Galvanized	1500	2	34.00

322 U

2 BEARINGS



Grease gun wheel with U groove
Galet à graisseur gorge U
Laufrolle U-Rille mit Schmiernippel
Rueda con engrasador canal U
Колесо с масленкой с пазом U

Code	Art.	Size	Finishing	Capacity Kg	Pcs/pack	Kg/pack
11506540 001	322U-100	C=44 Ø98	Galvanized	580	8	13.74
11506541 001	322U-100	C=54 Ø98	Galvanized	580	8	15.00
11506550 001	322U-120	C=44 Ø117	Galvanized	600	6	16.10
11506551 001	322U-120	C=54 Ø117	Galvanized	600	6	16.10
11506570 001	322U-160	C=44 Ø157	Galvanized	960	2	10.40
11506571 001	322U-160	C=54 Ø157	Galvanized	960	2	10.60
11506572 001	322U-160	C=74 Ø157	Galvanized	960	2	10.90
11506580 001	322U-200	C=44 Ø197	Galvanized	1000	2	16.05
11506581 001	322U-200	C=54 Ø197	Galvanized	1000	2	17.10
11506582 001	322U-200	C=74 Ø197	Galvanized	1000	2	16.40
11506590 001	322U-250	C=72 Ø247	Galvanized	1500	2	34.00

Code	Art.	Size	Finishing	Capacity Kg	Pcs/pack	Kg/pack
11507240 001	322Y-100	C=44 Ø98	Galvanized	580	8	15.00
11507241 001	322Y-100	C=54 Ø98	Galvanized	580	8	15.00
11507250 001	322Y-120	C=44 Ø117	Galvanized	600	6	16.08
11507251 001	322Y-120	C=54 Ø117	Galvanized	600	6	16.40
11507270 001	322Y-160	C=44 Ø157	Galvanized	960	2	10.40
11507271 001	322Y-160	C=54 Ø157	Galvanized	960	2	10.60
11507272 001	322Y-160	C=74 Ø157	Galvanized	960	2	10.90
11507280 001	322Y-200	C=44 Ø197	Galvanized	1000	2	16.90
11507281 001	322Y-200	C=54 Ø197	Galvanized	1000	2	17.10
11507282 001	322Y-200	C=74 Ø157	Galvanized	1000	2	17.40
11507290 001	322Y-250	C=72 Ø247	Galvanized	1500	2	33.80



322 W

2 BEARINGS

Grease gun wheel with Y groove
 Galet à graisseur gorge Y
 Laufrolle Y-Rille mit Schmiernippel
 Rueda con engrasador canal Y
 Колесо с масляной с пазом Y

Code	Art.	Size	Finishing	Capacity Kg	Pcs/pack	Kg/pack
11507540 001	323-100	C=34 Ø97	Galvanized	380	8	9.68
11507550 001	323-120	C=44 Ø117	Galvanized	400	6	12.44
11507570 001	323-160	C=44 Ø157	Galvanized	710	2	8.20
11507580 001	323-200	C=44 Ø197	Galvanized	750	2	13.26
11507590 001	323-250	C=54 Ø247	Galvanized	800	2	24.40



323 W

1 BEARING

Grease gun wheel with half-rounded groove
 Galet à graisseur avec gorge demi-ronde
 Laufrolle mit Rundrille und Schmiernippel
 Rueda con engrasador canal semirredondo
 Колесо с масляной с полукруглым пазом

Code	Art.	Size	Finishing	Capacity Kg	Pcs/pack	Kg/pack
11508040 001	324-100	C=44 Ø98	Galvanized	580	8	13.85
11508041 001	324-100	C=54 Ø98	Galvanized	580	8	13.80
11508050 001	324-120	C=44 Ø117	Galvanized	600	6	16.10
11508051 001	324-120	C=54 Ø117	Galvanized	600	6	15.60
11508070 001	324-160	C=44 Ø157	Galvanized	960	2	10.13
11508071 001	324-160	C=54 Ø157	Galvanized	960	2	10.60
11508072 001	324-160	C=74 Ø157	Galvanized	960	2	10.90
11508080 001	324-200	C=44 Ø197	Galvanized	1000	2	16.90
11508081 001	324-200	C=54 Ø197	Galvanized	1000	2	16.65
11508082 001	324-200	C=74 Ø197	Galvanized	1000	2	17.40
11508090 001	324-250	C=72 Ø247	Galvanized	1500	2	34.00



324 W

2 BEARINGS

Grease gun wheel with half-rounded groove
 Galet à graisseur avec gorge demi-ronde
 Laufrolle mit Rundrille und Schmiernippel
 Rueda con engrasador canal semirredondo
 Колесо с масляной с полукруглым пазом

Code	Art.	Size	Finishing	Capacity Kg	Pcs/pack	Kg/pack
11509010 001	325V-60	Ø60	Galvanized	100	12	4.68
11509020 001	325V-80	Ø78	Galvanized	200	6	5.77
11509030 001	325V-90	Ø88	Galvanized	210	6	8.12
11509040 001	325V-100	Ø98	Galvanized	220	6	9.50



325 W

1 BEARING

Wheel with external support , V groove
 Galet avec support extérieur, gorge V
 Laufrolle mit Außenstützplatte und V-Rille
 Rueda con soporte exterior canal V
 Колесо с наружным суппортом с пазом V

Code	Art.	Size	Finishing	Capacity Kg	Pcs/pack	Kg/pack
11508510 001	325U-60	Ø60	Galvanized	100	12	4.68
11508520 001	325U-80	Ø78	Galvanized	200	6	5.77



325 U

1 BEARING

Wheel with external support , U groove
 Galet avec support extérieur, gorge U
 Laufrolle mit Außenstützplatte und U-Rille
 Rueda con soporte exterior canal U
 Колесо с наружным суппортом с пазом U

326 W



2 BEARINGS

Wheel with external support, V groove
 Galet avec support extérieur, gorge V
 Laufrolle mit Außenstützplatte
 und V-Rille
 Rueda con soporte exterior canal V
 Колесо с наружным
 суппортом с пазом V



Code	Art.	Size	Finishing	Capacity Kg	Pcs/pack	Kg/pack
11509240 001	326V-100	Ø98	Galvanized	400	6	11.14

326 П



2 BEARINGS

Wheel with external support, U groove
 Galet avec support extérieur, gorge U
 Laufrolle mit Außenstützplatte
 und U-Rille
 Rueda con soporte exterior canal U
 Колесо с наружным
 суппортом с пазом U



Code	Art.	Size	Finishing	Capacity Kg	Pcs/pack	Kg/pack
11508740 001	326U-100	Ø98	Galvanized	400	6	11.16

327 W



1 BEARING

Wheel with external support, half-rounded groove
 Galet avec support extérieur, gorge demi-ronde
 Laufrolle mit Außenstützplatte und Rundrille
 Rueda con soporte exterior canal semirredondo
 Колесо с наружным суппортом
 с полукруглым пазом



Code	Art.	Size	Finishing	Capacity Kg	Pcs/pack	Kg/pack
11509510 001	327-60	Ø60	Galvanized	100	12	5.10
11509520 001	327-80	Ø78	Galvanized	200	6	5.56
11509525 001	327-80S	Ø78	Galvanized	200	6	5.03

328 W



2 BEARINGS

Wheel with external support, half-rounded groove
 Galet avec support extérieur, gorge demi-ronde
 Laufrolle mit Außenstützplatte und Rundrille
 Rueda con soporte exterior canal semirredondo
 Колесо с наружным суппортом
 с полукруглым пазом



Code	Art.	Size	Finishing	Capacity Kg	Pcs/pack	Kg/pack
11509740 001	328-100	Ø98	Galvanized	400	6	10.55

330 W



1 BEARING

Wheel with internal plate, V groove
 Galet avec platine extérieure, gorge V
 Laufrolle mit Außenplatten und V-Rille
 Rueda con placas canal V
 Колесо с пластинами с пазом V



Code	Art.	Size	Finishing	Capacity Kg	Pcs/pack	Kg/pack
11510510 001	330V-60	Ø60	Galvanized	100	12	4.04
11510515 001	330V-70	Ø68	Galvanized	170	6	3.36
11510520 001	330V-80	Ø78	Galvanized	180	6	4.44
11510530 001	330V-90	Ø88	Galvanized	190	6	6.00
11510540 001	330V-100	Ø98	Galvanized	200	6	7.85
11510550 001	330V-120	Ø117	Galvanized	220	2	4.32
11510560 001	330V-140	Ø137	Galvanized	240	2	6.05

330 П



1 BEARING

Wheel with internal plate, U groove
 Galet avec platine extérieure, gorge U
 Laufrolle mit Außenstützplatte
 und U-Rille
 Rueda con placas canal U
 Колесо с пластинами с пазом U



Code	Art.	Size	Finishing	Capacity Kg	Pcs/pack	Kg/pack
11510010 001	330U-60	Ø60	Galvanized	100	12	3.97
11510015 001	330U-70	Ø68	Galvanized	170	6	3.36
11510020 001	330U-80	Ø78	Galvanized	180	6	4.40
11510030 001	330U-90	Ø88	Galvanized	190	6	6.46
11510040 001	330U-100	Ø98	Galvanized	200	6	7.87
11510050 001	330U-120	Ø117	Galvanized	220	2	3.94
11510060 001	330U-140	Ø137	Galvanized	240	2	6.05

Code	Art.	Size	Finishing	Capacity Kg	Pcs/pack	Kg/pack
11510710 001	330Y-60	Ø60	Galvanized	100	12	4.00
11510715 001	330Y-70	Ø68	Galvanized	170	6	3.26
11510720 001	330Y-80	Ø78	Galvanized	180	6	4.33
11510730 001	330Y-90	Ø88	Galvanized	190	6	5.77
11510740 001	330Y-100	Ø98	Galvanized	200	6	7.65
11510750 001	330Y-120	Ø117	Galvanized	220	2	4.32
11510760 001	330Y-140	Ø137	Galvanized	240	2	5.90



330 W

1 BEARING

Wheel with internal plate, Y groove
Galet avec platine extérieure, gorge Y
Laufrolle mit Außenstützplatte und Y-Rille
Rueda con placas canal Y
Колесо с пластинами с пазом Y

Code	Art.	Size	Finishing	Capacity Kg	Pcs/pack	Kg/pack
11511010 001	332-60	Ø60	Galvanized	100	12	4.00
11511015 001	332-70	Ø68	Galvanized	170	6	3.30
11511020 001	332-80	Ø78	Galvanized	180	6	4.05
11511025 001	332-80S	Ø78	Galvanized	180	6	4.09
11511030 001	332-90	Ø88	Galvanized	190	6	5.69
11511035 001	332-90S	Ø88	Galvanized	190	6	5.74
11511040 001	332-100	Ø98	Galvanized	200	6	7.38
11511045 001	332-100S	Ø98	Galvanized	200	6	7.58
11511050 001	332-120	Ø117	Galvanized	220	2	4.00
11511060 001	332-140	Ø137	Galvanized	240	2	5.68



332 W

1 BEARING

Wheel with internal plate, half-rounded groove
Galet avec platine extérieure, gorge demi-ronde
Laufrolle mit Außenstützplatte und Rundrille
Rueda con placas canal semirredondo
Колесо с пластинами с полукруглым пазом

Code	Art.	Size	Finishing	Capacity Kg	Pcs/pack	Kg/pack
11512040 001	333V-100	Ø98	Galvanized	380	6	9.94
11512050 001	333V-120	Ø117	Galvanized	400	2	4.91
11512060 001	333V-140	Ø137	Galvanized	420	2	6.93



333 W

2 BEARINGS

Wheel with internal plate, V groove
Galet avec platine extérieure, gorge V
Laufrolle mit Außenstützplatte und V-Rille
Rueda con placas canal V
Колесо с пластинами с пазом V

Code	Art.	Size	Finishing	Capacity Kg	Pcs/pack	Kg/pack
11511540 001	333U-100	Ø98	Galvanized	380	6	9.27
11511550 001	333U-120	Ø117	Galvanized	400	2	4.64
11511560 001	333U-140	Ø137	Galvanized	420	2	6.23



333 U

2 BEARINGS

Wheel with internal plate, U groove
Galet avec platine extérieure, gorge U
Laufrolle mit Außenstützplatte und U-Rille
Rueda con placas canal U
Колесо с пластинами с пазом U

Code	Art.	Size	Finishing	Capacity Kg	Pcs/pack	Kg/pack
11512240 001	333Y-100	Ø98	Galvanized	380	6	9.73
11512250 001	333Y-120	Ø117	Galvanized	400	2	4.80
11512260 001	333Y-140	Ø137	Galvanized	420	2	6.84



333 W

2 BEARINGS

Wheel with internal plate, Y groove
Galet avec support extérieur, gorge Y
Laufrolle mit Außenstützplatte und Y-Rille
Rueda con placas canal Y
Колесо с пластинами с пазом Y

Code	Art.	Size	Finishing	Capacity Kg	Pcs/pack	Kg/pack
11512540 001	334-100	Ø98	Galvanized	380	6	9.24
11512550 001	334-120	Ø117	Galvanized	400	2	4.62
11512560 001	334-140	Ø137	Galvanized	420	2	6.57



334 W

2 BEARINGS

Wheel with internal plate, half-rounded groove
Galet avec support extérieur, gorge demi-ronde
Laufrolle mit Außenstützplatte und Rundrille
Rueda con placas canal semirredondo
Колесо с пластинами с полукруглым пазом

335 W

1 BEARING



Wheel with internal plate, V groove
Galet avec platine interne, gorge V
Laufrolle mit Innenstützplatte und V-Rille
Rueda con soporte interior canal V
Колесо с внутренним суппортом с пазом V

Code	Art.	Size	Finishing	Capacity Kg	Pcs/pack	Kg/pack
11513520 001	335V-80	Ø78	Galvanized	180	6	4.80
11513530 001	335V-90	Ø88	Galvanized	190	6	6.65
11513540 001	335V-100	Ø98	Galvanized	200	6	8.06
11513550 001	335V-120	Ø117	Galvanized	220	2	4.46
11513560 001	335V-140	Ø137	Galvanized	240	2	6.14

335 П

1 BEARING



Wheel with internal plate, U groove
Galet avec platine interne, gorge U
Laufrolle mit Außenstützplatte und Rundrille
Rueda con soporte interior canal U
Колесо с внутренним суппортом с пазом U

Code	Art.	Size	Finishing	Capacity Kg	Pcs/pack	Kg/pack
11513020 001	335U-80	Ø78	Galvanized	180	6	4.84
11513030 001	335U-90	Ø88	Galvanized	190	6	6.70
11513040 001	335U-100	Ø98	Galvanized	200	6	8.04
11513050 001	335U-120	Ø117	Galvanized	220	2	4.11
11513060 001	335U-140	Ø137	Galvanized	240	2	5.75

335 W

1 BEARING



Wheel with internal plate, Y groove
Galet avec platine interne, gorge Y
Laufrolle mit Außenstützplatte und Rundrille
Rueda con soporte interior canal U
Колесо с внутренним суппортом с пазом U

Code	Art.	Size	Finishing	Capacity Kg	Pcs/pack	Kg/pack
11513720 001	335Y-80	Ø78	Galvanized	180	6	4.71
11513730 001	335Y-90	Ø88	Galvanized	190	6	6.47
11513740 001	335Y-100	Ø98	Galvanized	200	6	7.79
11513750 001	335Y-120	Ø117	Galvanized	220	2	4.29
11513760 001	335Y-140	Ø137	Galvanized	240	2	6.02

336 W

2 BEARINGS



Wheel with internal plate, V groove
Galet avec platine interne, gorge V
Laufrolle mit innenstützplatte und V-Rille
Rueda con soporte interior canal U
Колесо с внутренним суппортом с пазом U

Code	Art.	Size	Finishing	Capacity Kg	Pcs/pack	Kg/pack
11514530 001	336V-90	Ø88	Galvanized	300	6	7.61
11514540 001	336V-100	Ø98	Galvanized	380	6	9.19
11514550 001	336V-120	Ø117	Galvanized	400	2	5.04
11514560 001	336V-140	Ø137	Galvanized	420	2	6.95
11514570 001	336V-160	Ø157	Galvanized	640	2	10.55
11514580 001	336V-200	Ø197	Galvanized	700	2	16.77

336 П

2 BEARINGS



Wheel with internal plate, U groove
Galet avec platine interne, gorge U
Laufrolle mit Außenstützplatte und Rundrille
Rueda con soporte interior canal U
Колесо с внутренним суппортом с пазом U

Code	Art.	Size	Finishing	Capacity Kg	Pcs/pack	Kg/pack
11514030 001	336U-90	Ø88	Galvanized	300	6	6.80
11514040 001	336U-100	Ø98	Galvanized	380	6	8.14
11514050 001	336U-120	Ø117	Galvanized	400	2	4.50
11514060 001	336U-140	Ø137	Galvanized	420	2	6.30
11514070 001	336U-160	Ø157	Galvanized	640	2	9.79
11514080 001	336U-200	Ø197	Galvanized	700	2	16.77

336 W

2 BEARINGS



Wheel with internal plate, Y groove
Galet avec platine interne, gorge Y
Laufrolle mit innenstützplatte und Y-Rille
Rueda con soporte interior canal Y
Колесо с внутренним суппортом с пазом Y

Code	Art.	Size	Finishing	Capacity Kg	Pcs/pack	Kg/pack
11514730 001	336Y-90	Ø88	Galvanized	300	6	7.21
11514740 001	336Y-100	Ø98	Galvanized	380	6	8.73
11514750 001	336Y-120	Ø117	Galvanized	400	2	4.93
11514760 001	336Y-140	Ø137	Galvanized	420	2	6.85
11514770 001	336Y-160	Ø157	Galvanized	640	2	10.45
11514780 001	336Y-200	Ø197	Galvanized	700	2	16.70

Code	Art.	Size	Finishing	Capacity Kg	Pcs/pack	Kg/pack
11515020 001	337-80	Ø78	Galvanized	180	6	4.40
11515025 001	337-80S	Ø78	Galvanized	180	6	4.53
11515030 001	337-90	Ø88	Galvanized	190	6	6.28
11515035 001	337-90S	Ø88	Galvanized	190	6	6.36
11515040 001	337-100	Ø98	Galvanized	200	6	7.60
11515045 001	337-100S	Ø98	Galvanized	200	6	7.78
11515050 001	337-120	Ø117	Galvanized	220	2	4.15
11515056 001	337-120S	Ø117	Galvanized	220	2	3,5
11515060 001	337-140	Ø137	Galvanized	240	2	5.79



1 BEARING

337 W

Wheel with internal plate, half-rounded groove
 Galet avec platine interne, gorge demi-ronde
 Laufrolle mit Rundrille und Innenstützplatte
 Rueda con soporte interior canal semirredondo
 Колесо с внутренним суппортом с полукруглым пазом

Code	Art.	Size	Finishing	Capacity Kg	Pcs/pack	Kg/pack
11515530 001	338-90	Ø88	Galvanized	300	6	7.16
11515540 001	338-100	Ø98	Galvanized	380	6	8.66
11515550 001	338-120	Ø117	Galvanized	400	2	4.73
11515560 001	338-140	Ø137	Galvanized	420	2	6.65
11515570 001	338-160	Ø157	Galvanized	640	2	10.11
11515580 001	338-200	Ø197	Galvanized	700	2	16.30



2 BEARINGS

338 W

Wheel with internal plate, half-rounded groove
 Galet avec platine interne, gorge demi-ronde
 Laufrolle mit Rundrille und Innenstützplatte
 Rueda con soporte interior canal semirredondo
 Колесо с внутренним суппортом с полукруглым пазом

Code	Art.	Size	Finishing	Capacity Kg	Pcs/pack	Kg/pack
11515621 001	339V-120	Ø117	Galvanized	1200	2	20.09
11515622 001	339V-160	Ø157	Galvanized	1920	2	30.50



2 BEARINGS

339 W

Grease gun twin wheels U groove
 Galets combinés avec graisseur, gorge U
 Verknüpfte Laufrollen mit U-Rille und Schmiemippel
 Ruedas combinadas canal U con engrasador
 Комбинированные колеса с пазом U с масляной

Code	Art.	Size	Finishing	Capacity Kg	Pcs/pack	Kg/pack
11515611 001	339U-120	Ø117	Galvanized	1200	2	20.14
11515612 001	339U-160	Ø157	Galvanized	1920	2	29.90



2 BEARINGS

339 W

Grease gun twin wheels U groove
 Galets combinés avec graisseur, gorge U
 Verknüpfte Laufrollen mit U-Rille und Schmiemippel
 Ruedas combinadas canal U con engrasador
 Комбинированные колеса с пазом U с масляной

Code	Art.	Size	Finishing	Capacity Kg	Pcs/pack	Kg/pack
11515641 001	339-120	Ø117	Galvanized	1200	2	20.52
11515642 001	339-160	Ø157	Galvanized	1920	2	30.44
19907301 001	339-250	Ø247	Galvanized	3000	1	43.00



2 BEARINGS

339 W

Grease gun twin wheels half-rounded groove
 Galets combinés avec graisseur, gorge demi-ronde
 Verknüpfte Laufrollen mit Rundrille und Schmiemippel
 Ruedas combinadas canal semirredondo con engrasador
 Комбинированные колеса с полукруглым пазом с масляной

Code	Art.	Size	Finishing	Capacity Kg	Pcs/pack	Kg/pack
11516010 001	340-60	Ø6 rope	Galvanized	100	12	2.28
11516020 001	340-80	Ø6 rope	Galvanized	200	12	4.73
11516040 001	340-100	Ø8 rope	Galvanized	220	10	7.60
11516050 001	340-120	Ø8 rope	Galvanized	240	8	9.25



1 BEARING

340 W

Wheel for rope, half-rounded groove and 1 bearing
 Galet pour corde, gorge demi-ronde et 1 roulement
 Rolle für seil, Rundrille und 1 Kugellager
 Rueda para cables canal semirredondo con 1 rodamiento
 Колесо для троса с полукруглым пазом с 1 подшипником

Code	Art.	Size	Finishing	Capacity Kg	Pcs/pack	Kg/pack
11517020	342-80	Ø6 rope	Nylon	50	12	1.80
11517030	342-90	Ø6 rope	Nylon	60	10	1.80
11517040	342-100	Ø5 rope	Nylon	70	10	1.87



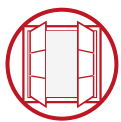
1 BEARING

342 W

Nylon wheel for rope, half-rounded groove and 1 bearing
 Galet pour corde en nylon, gorge demi-ronde et 1 roulement
 Nylon-rolle für seil, Rundrille und 1 Kugellager
 Rueda para cables de nylon canal semirredondo con 1 rodamiento
 Колесо для нейлонового троса с полукруглым пазом с 1 подшипником



Life
made
easy



Hinges for metal
frames

 **COMUNELLO****GATE**

400

Turned ball bearing
Roulement à billes tourné et scellé
Axial kugellager
Rodamiento de bolas axial
torneado y cementado
Шариковый подшипник осевой
обточенный и цементированный



Code	Art.	Size	Finishing	Capacity Kg	Pcs/pack	Kg/pack
12400503 001	400-9	Ø15	Galvanized		100	0.40
12400504 001	400-10	Ø17,5	Galvanized		100	0.60
12400505 001	400-11	Ø19	Galvanized		100	0.80
12400510 001	400-12	Ø20	Galvanized		100	0.90
12400515 001	400-14	Ø22	Galvanized		100	1.00
12400520 001	400-16,5	Ø27	Galvanized		100	1.50
12400525 001	400-20	Ø32	Galvanized		100	4.20

401S

Galvanized and sintered steel washer
Rondelle en acier zingué et fritté
Gesinterter Stahlzwischenring
Arandela de acero galvanizado
y sinterizado
Шайбы из оцинкованной
стали с агломерацией



Code	Art.	Size	Finishing	Capacity Kg	Pcs/pack	Kg/pack
15400712 001	401S-12	Ø20	Galvanized		50	0.45
15400714 001	401S-14	Ø22	Galvanized		50	0.55
15400720 001	401S-20	Ø28	Galvanized		50	0.75

401Z

Galvanized and sintered steel washer
Rondelle en acier zingué
Gesinterter Stahlzwischenring
Arandela de acero galvanizado
Шайба из оцинкованной стали



Code	Art.	Size	Finishing	Capacity Kg	Pcs/pack	Kg/pack
15400506 001	401Z-6	Ø9	Galvanized		200	0.20
15400508 001	401Z-8	Ø12	Galvanized		200	0.20
15400509 001	401Z-9	Ø13	Galvanized		200	0.20
15400510 001	401Z-10	Ø15	Galvanized		200	0.40
15400511 001	401Z-11	Ø15	Galvanized		200	0.40
15400512 001	401Z-12	Ø18	Galvanized		200	0.60
15400514 001	401Z-14	Ø19	Galvanized		200	0.60

402

Galvanized pin
Hinge with 2 wings and
extractable pivot
Paumelle avec 2 ailes et
pivot à déboîter
Anschweißband 2-teilig
mit lossem Zapfen
Pernio de 2 palas con eje extraíble
Шарнир с 2 полками с
вынимаемым штифтом



Code	Art.	Size	Finishing	Capacity Kg	Pcs/pack	Kg/pack
11604006	402-60	L=60 Ø5,7	Raw	50	40	1.52
11604008	402-80	L=83 Ø7,7	Raw	75	50	3.95
11604010	402-100	L=104 Ø8,7	Raw	100	50	5.70
11604012	402-120	L=122 Ø9,8	Raw	150	40	7.24
11604014	402-140	L=144 Ø10,7	Raw	200	40	9.44

Capacity per couple hinges, L/H=1

402Z

Hinge with 2 wings and
extractable pivot
Paumelle avec 2 ailes et
pivot à déboîter
Anschweißband 2-teilig
mit lossem Zapfen
Pernio de 2 palas con eje extraíble
Шарнир с 2 полками с
вынимаемым штифтом



Code	Art.	Size	Finishing	Capacity Kg	Pcs/pack	Kg/pack
11604006 001	402Z-60	L=60 Ø5,7	Galvanized	50	40	1.60
11604008 001	402Z-80	L=83 Ø7,7	Galvanized	75	50	3.95
11604010 001	402Z-100	L=104 Ø8,7	Galvanized	100	50	5.70
11604012 001	402Z-120	L=122 Ø9,8	Galvanized	150	40	7.24
11604014 001	402Z-140	L=144 Ø10,7	Galvanized	200	40	9.44

Capacity per couple hinges, L/H=1

405

Galvanized pin
Heavy hinge with 2 wings
and extractable pivot
Paumelle lourde avec 2
ailes et pivot à déboîter
Anschweißband 2-teilig
schwere
Ausführung mit lossem Zapfen
Pernio pesado de 2 palas
con eje extraíble
Тяжелый шарнир с 2 полками
с вынимаемым штифтом



Code	Art.	Size	Finishing	Capacity Kg	Pcs/pack	Kg/pack
11604514	405-140	L=145 Ø11,7	Raw	250	20	5.80
11604517	405-170	L=174 Ø11,7	Raw	250	20	6.98
11604520	405-200	L=205 Ø13,6	Raw	300	14	7.24

Capacity per couple hinges, L/H=1

Code	Art.	Size	Finishing	Capacity Kg	Pcs/pack	Kg/pack
11604514 001	405Z-140	L=145 Ø11,7	Galvanized	250	20	5.80
11604517 001	405Z-170	L=174 Ø11,7	Galvanized	250	20	6.98
11604520 001	405Z-200	L=205 Ø13,6	Galvanized	300	14	7.24

Capacity per couple hinges, L/H=1



405Z

Heavy hinge with 2 wings and extractable pivot
Paumelle lourde avec 2 ailes et pivot à déboîter
Anschweißband 2-teilig schwere Ausführung mit loseem Zapfen
Pernio pesado de 2 palas con eje extraíble
Тяжелый шарнир с 2 полками с вынимаемым штифтом

Code	Art.	Size	Finishing	Capacity Kg	Pcs/pack	Kg/pack
11605008	410-80	L=83 Ø7,7	Raw	75	50	3.90
11605010	410-100	L=104 Ø8,7	Raw	100	50	5.65
11605012	410-120	L=122 Ø9,8	Raw	150	40	7.20
11605014	410-140	L=144 Ø10,7	Raw	200	40	9.52

Capacity per couple hinges, L/H=1



410

Galvanized pin

Hinge with 3 wings and extractable pivot
Paumelle avec 3 ailes et pivot à déboîter
Anschweißband 3-teilig mit loseem Zapfen
Pernio de 3 palas con eje extraíble
Шарнир с 3 полками с вынимаемым штифтом

Code	Art.	Size	Finishing	Capacity Kg	Pcs/pack	Kg/pack
11605008 001	410Z-80	L=83 Ø7,7	Galvanized	75	50	3.90
11605010 001	410Z-100	L=104 Ø8,7	Galvanized	100	50	5.75
11605012 001	410Z-120	L=122 Ø9,8	Galvanized	150	40	7.28
11605014 001	410Z-140	L=144 Ø10,7	Galvanized	200	40	9.56

Capacity per couple hinges, L/H=1



410Z

Hinge with 3 wings and extractable pivot
Paumelle avec 3 ailes et pivot à déboîter
Anschweißband 3-teilig mit loseem Zapfen

Pernio de 3 palas con eje extraíble
Шарнир с 3 полками с вынимаемым штифтом

Code	Art.	Size	Finishing	Capacity Kg	Pcs/pack	Kg/pack
11607514	411-170	L=171	Raw	400	10	6.95

Capacity per couple hinges, L/H=1



411 Tris

Stainless steel pin

Anti theft 3 wings hinge with s/s pivot and plugs
Paumelle antivol à 3 ailes avec pivot et bouchons en inox
Einbruchssicheres Anschweißband 3-teilig mit Zapfen und Pfropfen aus Edelstahl
Pernio de 3 palas anti-fración con eje y tapones de acero inoxidable
Шарнир с 3 полками с защитой от взлома со штифтом и пробками из нержавеющей стали

Code	Art.	Size	Finishing	Capacity Kg	Pcs/pack	Kg/pack
11605514	415-140	L=145 Ø11,7	Raw	250	20	5.90
11605517	415-170	L=174 Ø11,7	Raw	250	20	7.00
11605520	415-200	L=205 Ø13,6	Raw	300	16	8.21

Capacity per couple hinges, L/H=1



415

Galvanized pin

Heavy hinge with 3 wings and extractable pivot
Paumelle lourde avec 3 ailes et pivot à déboîter
Anschweißband 3-teilig schwere Ausführung mit loseem Zapfen
Pernio pesado de 3 palas con eje extraíble
Тяжелый шарнир с 3 полками с вынимаемым штифтом

Code	Art.	Size	Finishing	Capacity Kg	Pcs/pack	Kg/pack
11605514 001	415Z-140	L=145 Ø11,7	Galvanized	250	20	9.90
11605517 001	415Z-170	L=174 Ø11,7	Galvanized	250	20	7.00
11605520 001	415Z-200	L=205 Ø13,6	Galvanized	300	16	8.21

Capacity per couple hinges, L/H=1



415Z

Heavy hinge with 3 wings and extractable pivot
Paumelle lourde avec 3 ailes et pivot à déboîter
Anschweißband 3-teilig schwere Ausführung mit loseem Zapfen
Pernio pesado de 3 palas con eje extraíble
Тяжелый шарнир с 3 полками с вынимаемым штифтом

420

Plug welded hinge with 2 wings
Paumelle à 2 ailes avec bouchon soudé
Anschweißband 2-teilig mit
Anschweißpfropfen
Pernio de 2 palas con tapón soldado
Шарнир с 2 полками с
привариваемой пробкой



Code	Art.	Size	Finishing	Capacity Kg	Pcs/pack	Kg/pack
11606006	420-60	L=64 Ø5,8	Raw	50	40	1.32
11606006 001	420-60	L=64 Ø5,8	Galvanized	50	40	1.32
11606008	420-80	L=89,5 Ø7,8	Raw	75	50	3.15
11606008 001	420-80	L=89,5 Ø7,8	Galvanized	75	50	3.15
11606010	420-100	L=110 Ø8,7	Raw	100	50	4.40
11606010 001	420-100	L=110 Ø8,7	Galvanized	100	50	4.40
11606012	420-120	L=130 Ø9,8	Raw	150	50	7.00
11606012 001	420-120	L=130 Ø9,8	Galvanized	150	50	7.00
11606014	420-140	L=152 Ø10,8	Raw	200	50	8.95
11606014 001	420-140	L=152 Ø10,8	Galvanized	200	50	8.95

Capacity per couple hinges, L/H=1

425

Heavy plug welded hinge with 2 wings
Paumelle lourde à 2 ailes
avec bouchon soudé
Anschweißband 2-teilig schwere
Ausführung mit Pfropfen
Pernio pesado de 2 palas
con tapón soldado
Тяжелый шарнир с 2 полками
с привариваемой пробкой



Code	Art.	Size	Finishing	Capacity Kg	Pcs/pack	Kg/pack
11606514	425-140	L=154 Ø11,8	Raw	250	20	4.48
11606514 001	425-140	L=154 Ø11,8	Galvanized	250	20	4.48
11606517	425-170	L=184,5 Ø11,8	Raw	250	20	5.22
11606517 001	425-170	L=184,5 Ø11,8	Galvanized	250	20	5.22
11606520	425-200	L=217,5 Ø13,8	Raw	300	20	7.60

Capacity per couple hinges, L/H=1

425PS

Heavy hinge with 2 wings and
disassembled galvanised pivot and plugs
Paumelle lourde à 2 ailes avec pivot
et bouchons zingués et démontés
Anschweißband 2-teilig schwere
Ausführung mit verzinkter
ausgebauter Zapfen und Pfropfen
Pernio de 2 palas pesado desmontado
eje y tapones galvanizados
Тяжелый демонтированный
шарнир с 2 полками со штифтом
и оцинкованными пробками



Code	Art.	Size	Finishing	Capacity Kg	Pcs/pack	Kg/pack
11606612	425PS-120	L=139 Ø11,9	Raw	150	50	13.10
11606614	425PS-140	L=154 Ø11,9	Raw	250	50	13.45
11606617	425PS-170	L=184,5 Ø11,9	Raw	250	50	13.50

Capacity per couple hinges, L/H=1

430DX

Plug welded hinge with 2 long wings
Paumelle à bouchon soudé
avec 2 ailes longues
Anschweißband 2-teilig mit
Anschweißpfropfen
Pernio de 2 palas largas
con tapón soldado
Шарнир с 2 длинными полками
с привариваемой пробкой



Code	Art.	Size	Finishing	Capacity Kg	Pcs/pack	Kg/pack
11607006	430DX-60	L=70 Ø8,3	Raw	100	20	3.30
11607006 001	430DX-60	L=70 Ø8,3	Galvanized	100	20	3.30
11607008	430DX-80	L=92 Ø9	Raw	100	20	3.14
11607008 001	430DX-80	L=92 Ø9	Galvanized	100	20	3.14
11607010	430DX-100	L=112 Ø9,8	Raw	150	20	4.04
11607010 001	430DX-100	L=112 Ø9,8	Galvanized	150	20	4.04
11607012	430DX-120	L=132 Ø11,3	Raw	250	20	5.28
11607012 001	430DX-120	L=132 Ø11,3	Galvanized	250	20	5.28
11607014	430DX-140	L=156 Ø11,8	Raw	250	10	3.95
11607014 001	430DX-140	L=156 Ø11,8	Galvanized	250	10	3.95
11607017	430DX-170	L=190 Ø13	Raw	300	10	6.16
11607017 001	430DX-170	L=190 Ø13	Galvanized	300	10	6.16
11607020	430DX-200	L=216 Ø13,9	Raw	350	10	8.40

Capacity per couple hinges, L/H=1

430SX

Plug welded hinge with 2 long wings
Paumelle à bouchon soudé
avec 2 ailes longues
Anschweißband 2-teilig mit
Anschweißpfropfen
Pernio de 2 palas largas
con tapón soldado
Шарнир с 2 длинными полками
с привариваемой пробкой



Code	Art.	Size	Finishing	Capacity Kg	Pcs/pack	Kg/pack
11607106	430SX-60	L=70 Ø8,3	Raw	100	20	3.30
11607106 001	430SX-60	L=70 Ø8,3	Galvanized	100	20	3.30
11607108	430SX-80	L=92 Ø9	Raw	100	20	3.14
11607108 001	430SX-80	L=92 Ø9	Galvanized	100	20	3.14
11607110	430SX-100	L=112 Ø9,8	Raw	150	20	4.04
11607110 001	430SX-100	L=112 Ø9,8	Galvanized	150	20	4.04
11607112	430SX-120	L=132 Ø11,3	Raw	250	20	5.28
11607112 001	430SX-120	L=132 Ø11,3	Galvanized	250	20	5.28
11607114	430SX-140	L=156 Ø11,8	Raw	250	10	3.95
11607114 001	430SX-140	L=156 Ø11,8	Galvanized	250	10	3.95
11607117	430SX-170	L=190 Ø13	Raw	300	10	6.05
11607117 001	430SX-170	L=190 Ø13	Galvanized	300	10	6.05
11607120	430SX-200	L=216 Ø13,9	Raw	350	10	8.40

Capacity per couple hinges, L/H=1

Code	Art.	Size	Finishing	Capacity Kg	Pcs/pack	Kg/pack
11607308	431-80	L=82 Ø8	Raw	100	50	4.60
11607338	431-80 Sp3	L=78 Ø8	Raw	100	50	6.20
11607310	431-100	L=98 Ø10	Raw	150	50	9.20
11607311	431-110	L=107 Ø10	Raw	150	40	10.76
11607312	431-120	L=119 Ø12	Raw	250	30	10.86

Capacity per couple hinges, L/H=1



431

Flat hinge with 2 wings and extractable pivot
Paumelle plate à 2 ailes avec pivot à déboîter
Flachband 2-teilig mit lösem Zapfen
Perno de 2 palas chatas con eje extraíble
Плоский шарнир с 2 полками с вынимаемым штифтом

Code	Art.	Size	Finishing	Capacity Kg	Pcs/pack	Kg/pack
11698010	435-30X30	L=66 30X30	Raw	250	4	1.80
11697010	435-40X30	L=66 40X30	Raw	250	4	2.50

Capacity per couple hinges, L/H=1



435

Heavy duty side hinges for security grilles
Paumelle latérale pour les balustrades double jonction
Seitlicher Anschweißband für Sicherheitsgeländer mit Doppelgelenk
Bisagra lateral para verjas de la seguridad de doble articulación
Боковая петля для защитных решеток с двойным соединением

Code	Art.	Size	Finishing	Capacity Kg	Pcs/pack	Kg/pack
11698020	436-30X30	L=56 30X30	Raw	250	4	1.90
11697020	436-40X30	L=56 40X30	Raw	250	4	2.60

Capacity per couple hinges, L/H=1



436

Heavy duty central hinges for security grilles with locking pin
Paumelle centrale pour les balustrades double jonction avec goupille de verrouillage
Seitlicher Anschweißband für Sicherheitsgeländer mit Doppelgelenk
Bisagra central para verjas de la seguridad de doble articulación con pasador de bloqueo
Центральная петля для защитных решеток с двойным соединением и стопорным штифтом

Code	Art.	Size	Finishing	Capacity Kg	Pcs/pack	Kg/pack
11698030	437-30X30	L=56 30X30	Raw	250	4	1.70
11697030	437-40X30	L=56 40X30	Raw	250	4	2.40

Capacity per couple hinges, L/H=1



437

Heavy duty centre hinges for security grilles with double junction
Paumelle centrale pour les balustrades double jonction
Seitlicher Anschweißband für Sicherheitsgeländer mit Doppelgelenk
Bisagra central para verjas de la seguridad de doble articulación
Центральная петля для защитных решеток с двойным соединением

Code	Art.	Size	Finishing	Capacity Kg	Pcs/pack	Kg/pack
11607509	440-90	L=98 Ø27	Raw	800	10	5.35

Capacity per couple hinges, L/H=1



440

Galvanized pin
Big hinge 2 open wings extractable pivot with washer
Paumelle grande 2 ailes ouvertes pivot à déboîter avec rondelle
Winkelband mit 2 offenen Flügeln schwere Ausführung loser Zapfen mit Unterlegscheibe
Perno grande de 2 palas abiertas eje extraíble con arandela
Большой шарнир с 2 открытыми полками с вынимаемым штифтом с шайбой

Code	Art.	Size	Finishing	Capacity Kg	Pcs/pack	Kg/pack
11608009	445-90	L=98 Ø27	Raw	800	10	5.36

Capacity per couple hinges, L/H=1



445

Galvanized pin
Big hinge 2 open wings extractable pivot with bearing
Paumelle grande 2 ailes ouvertes avec pivot à déboîter et roulement
Winkelband 2-teilig schwere Ausführung loser Zapfen mit Kugellager
Perno grande de 2 palas abiertas eje extraíble con rodamiento
Большой шарнир с 2 открытыми полками с вынимаемым штифтом с подшипником

450 Galvanized pin

Big hinge 2 closed wings
extractable pivot with washer
Paumelle grande 2 ailes fermées
pivot à déboîter avec rondelle
Winkelband mit 2 geschlossenen
Flügeln schwere Ausführung loser
Zapfen mit Unterlegscheibe
Pernio grande de 2 palas cerradas
eje extraíble con arandela
Большой шарнир с 2 закрытыми
полками с вынимаемым
штифтом с шайбой



Code	Art.	Size	Finishing	Capacity Kg	Pcs/pack	Kg/pack
11608509	450-90	L=98 Ø27	Raw	400	10	5.77

Capacity per couple hinges, L/H=1

455 Galvanized pin

Big hinge 2 closed wings
extractable pivot with bearing
Paumelle grande 2 ailes fermées
avec pivot à déboîter et roulement
Flachband 2-teilig schwere Ausführung
mit losem Zapfen und Kugellager
Pernio grande de 2 palas cerradas eje
extraíble con arandela y rodamiento
Большой шарнир с 2 закрытыми
полками с вынимаемым штифтом
с шайбой и подшипником



Code	Art.	Size	Finishing	Capacity Kg	Pcs/pack	Kg/pack
11609009	455-90	L=98 Ø27	Raw	400	10	5.36

Capacity per couple hinges, L/H=1

456

Big hinge 2 open wings
extractable pivot with washer
Paumelle grande 2 ailes ouvertes
avec pivot à déboîter et rondelle
Winkelband 2-teilig schwere Ausführung
mit losem Zapfen und Unterlegscheibe
Pernio grande de 2 palas largas
abiertas eje extraíble con arandela
Большой шарнир с 2 длинными
открытыми полками с вынимаемым
штифтом с шайбой



Code	Art.	Size	Finishing	Capacity Kg	Pcs/pack	Kg/pack
11609518	456-180	L=186 Ø27	Raw	800	4	4.17

Capacity per couple hinges, L/H=1

457 Galvanized pin

Big hinge 2 open wings
extractable pivot with bearing
Paumelle grande 2 ailes ouvertes
avec pivot à déboîter et roulement
Winkelband 2-teilig schwere Ausführung
mit losem Zapfen und Unterlegscheibe
Pernio grande de 2 palas abiertas
eje extraíble con rodamiento
Большой шарнир с 2 открытыми
полками с вынимаемым
штифтом с подшипником



Code	Art.	Size	Finishing	Capacity Kg	Pcs/pack	Kg/pack
11610018	457-180	L=186 Ø27	Raw	800	4	4.20

Capacity per couple hinges, L/H=1

458

Big hinge 2 closed wings
extractable pivot with washera
Paumelle grande 2 ailes fermées
avec pivot à déboîter et rondelle
Flachband 2-teilig schwere Ausführung
mit losem Zapfen und Unterlegscheibe
Pernio grande de 2 palas largas
cerradas eje extraíble con arandela
Большой шарнир с 2 длинными
закрытыми полками с вынимаемым
штифтом с шайбой



Code	Art.	Size	Finishing	Capacity Kg	Pcs/pack	Kg/pack
11610518	458-180	L=186 Ø27	Raw	800	4	4.25

Capacity per couple hinges, L/H=1

459 Galvanized pin

Big hinge 2 long closed wings
extractable pivot with bearing
Paumelle grande 2 ailes grandes et
fermées, pivot à déboîter avec roulement
Winkelband mit 2 langen geschlossenen
Flügeln schwere Ausführung mit
losem Zapfen, Kugellager
Pernio grande de 2 palas largas
cerradas eje extraíble con rodamiento
Большой шарнир с 2 длинными
закрытыми полками с подшипником



Code	Art.	Size	Finishing	Capacity Kg	Pcs/pack	Kg/pack
11611018	459-180	L=186 Ø27	Raw	800	4	4.26

Capacity per couple hinges, L/H=1

Code	Art.	Size	Finishing	Capacity Kg	Pcs/pack	Kg/pack
11611518	460-180	L=186 Ø27	Raw	800	4	4.20

Capacity per couple hinges, L/H=1

Galvanized pin **460**

Big hinge 3 open wings with washer
 Paumelle grande 3 ailes ouvertes
 pivot à déboîter avec rondelle
 Winkelband 3-teilig schwere Ausführung mit Unterlegscheiben
 Pernio grande de 3 palas abiertas
 eje extraíble con arandelas
 Большой шарнир с 3 открытыми полками с вынимаемым штифтом с шайбами

Code	Art.	Size	Finishing	Capacity Kg	Pcs/pack	Kg/pack
11612018	465-180	L=186 Ø27	Raw	800	4	4.26

Capacity per couple hinges, L/H=1

Galvanized pin **465**

Big hinge 3 open wings extractable pivot with bearing
 Paumelle grande 3 ailes ouvertes pivot à déboîter avec roulement
 Winkelband mit 3 offenen Flügeln schwere Ausführung mit losem Zapfen, Kugellager
 Pernio grande de 3 palas abiertas eje extraíble con rodamiento
 Большой шарнир с 3 открытыми полками с вынимаемым штифтом с подшипником

Code	Art.	Size	Finishing	Capacity Kg	Pcs/pack	Kg/pack
11612518	470-180	L=186 Ø27	Raw	800	4	4.25

Capacity per couple hinges, L/H=1

Galvanized pin **470**

Big hinge 3 closed wings extractable pivot with washer
 Paumelle grande 3 ailes fermées avec pivot à déboîter et rondelle
 Flachband 3-teilig schwere Ausführung mit losem Zapfen und Unterlegscheibe
 Pernio grande de 3 palas cerradas eje extraíble con arandela
 Большой шарнир с 3 закрытыми полками с вынимаемым штифтом с шайбой

Code	Art.	Size	Finishing	Capacity Kg	Pcs/pack	Kg/pack
11613018	475-180	L=186 Ø27	Raw	800	4	4.25

Capacity per couple hinges, L/H=1

Galvanized pin **475**

Big hinge 3 closed wings extractable pivot and bearing
 Paumelle grande 3 ailes fermées pivot à déboîter avec roulement
 Winkelband mit 3 geschlossenen Flügeln schwere Ausführung mit losem Zapfen, Kugellager
 Pernio grande de 3 palas cerradas eje extraíble con rodamiento
 Большой шарнир с 3 закрытыми полками с вынимаемым штифтом с подшипником

Code	Art.	Size	Finishing	Capacity Kg	Pcs/pack	Kg/pack
11613518	480-180	L=186 Ø27	Raw	800	4	4.10

Capacity per couple hinges, L/H=1

Galvanized pin **480**

Big hinge 4 open wings extractable pivot with washer
 Paumelle grande 4 ailes ouvertes avec pivot à déboîter et rondelle
 Winkelband 4-teilig schwere Ausführung mit losem Zapfen und Unterlegscheibe
 Pernio grande de 4 palas abiertas con eje extraíble con arandela
 Большой шарнир с 4 открытыми полками с вынимаемым штифтом с шайбой

Code	Art.	Size	Finishing	Capacity Kg	Pcs/pack	Kg/pack
11614018	482-180	L=186 Ø27	Raw	800	4	4.20

Capacity per couple hinges, L/H=1

Galvanized pin **482**

Big hinge 4 closed wings extractable pivot with bearing
 Paumelle grande 4 ailes fermées pivot à déboîter avec roulement
 Winkelband mit 4 geschlossenen Flügeln schwere Ausführung mit losem Zapfen, Kugellager
 Pernio grande de 4 palas cerradas eje extraíble con rodamiento
 Большой шарнир с 4 закрытыми полками с вынимаемым штифтом с подшипником

485 Galvanized pin

Big hinge 4 closed wings
extractable pivot with washers
Paumelle grande 4 ailes fermées
avec pivot à déboîter et rondelles
Flachband 4-teilig schwere Ausführung
mit losem Zapfen und Unterlegscheiben
Pernio grande de 4 palas cerradas
eje extraíble con arandelas
Большой шарнир с 4 закрытыми полками
с вынимаемым штифтом с шайбами



Code	Art.	Size	Finishing	Capacity Kg	Pcs/pack	Kg/pack
11614518	485-180	L=186 Ø27	Raw	800	4	4.10

Capacity per couple hinges, L/H=1

487 Galvanized pin

Big hinge 4 closed wings
extractable pivot with bearing
Paumelle grande 4 ailes fermées
pivot à déboîter avec roulement
Winkelband mit 4 geschlossenen
Flügeln schwere Ausführung mit
losem Zapfen und Kugellager
Pernio grande de 4 palas cerradas
eje extraíble con rodamiento
Большой шарнир с 4 закрытыми полками
с вынимаемым штифтом с подшипником



Code	Art.	Size	Finishing	Capacity Kg	Pcs/pack	Kg/pack
11615018	487-180	L=186 Ø27	Raw	800	4	4.25

Capacity per couple hinges, L/H=1

490

Drop hinge with steel pivot
Paumelle à goutte avec pivot en acier
Bandrolle mit Zapfen aus Stahl
Pernio grande gota de agua con eje de acero
Большой шарнир "капля" со
стальным штифтом

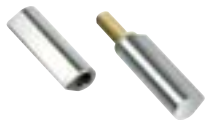


Code	Art.	Size	Finishing	Capacity Kg	Pcs/pack	Kg/pack
11615710	490T-100	L=98 Ø8	Raw	150	40	4.28
11615712	490T-120	L=118 Ø9	Raw	200	40	3.72
11647012	490-120	L=118 Ø9	Raw	200	40	6.56
11647014	490-140	L=139 Ø9	Raw	300	40	8.00

Capacity per couple hinges, L/H=1

492

Drop hinge with brass-covered, steel pivot
Paumelle à goutte avec pivot
en acier revêtu de laiton
Bandrolle mit Messing beschichtetem
Zapfen aus Stahl
Pernio gota de agua eje de
acero recubierto de latón
Шарнир "капля" со стальным
штифтом с латунным покрытием



Code	Art.	Size	Finishing	Capacity Kg	Pcs/pack	Kg/pack
11616210	492T-100	L=98 Ø8	Raw	100	40	4.32
11647112	492-120	L=118 Ø9	Raw	125	40	7.04
11616212	492T-120	L=118 Ø9	Raw	125	40	7.92
11647114	492-140	L=139 Ø9	Raw	180	40	8.08
11616214	492T-140	L=139 Ø9	Raw	180	40	9.32

Capacity per couple hinges, L/H=1

494

Drop Hinge With Steel Pivot And Washer
Paumelle à goutte avec pivot
en acier avec rondelle
Bandrolle mit Zapfen aus Stahl
mit Unterlegscheibe
Pernio gota de agua eje de
acero con arandela
Шарнир "капля" со стальным
штифтом с шайбой



Code	Art.	Size	Finishing	Capacity Kg	Pcs/pack	Kg/pack
11647210	494-100	L=100 Ø12	Raw	150	16	3.92
11616610	494T-100	L=100 Ø12	Raw	150	16	4.11
11647215	494-150	L=150 Ø12	Raw	250	16	5.42

Capacity per couple hinges, L/H=1

495

Drop Hinge With Steel Pivot And Bearing
Paumelle à goutte avec pivot
en acier avec roulement
Bandrolle mit Zapfen aus
Stahl mit Kugellager
Pernio gota de agua eje de
acero con rodamiento
Шарнир "капля" со стальным
штифтом с подшипником



Code	Art.	Size	Finishing	Capacity Kg	Pcs/pack	Kg/pack
11647310	495-100	L=100 Ø12	Raw	150	16	3.52
11615910	495T-100	L=100 Ø12	Raw	150	16	4.16
11647315	495-150	L=150 Ø12	Raw	250	16	5.12
11615915	495T-150	L=150 Ø12	Raw	250	16	6.18
19912001	SP-495PS-100	Ledge 20	Raw	150	10	2.54
19912005	SP-495PS-150	Ledge 20	Raw	250	10	3.95

Capacity per couple hinges, L/H=1

Code	Art.	Size	Finishing	Capacity Kg	Pcs/pack	Kg/pack
11647410	496-100	L=100 Ø12	Raw	150	16	3.92
11617610	496T-100	L=100 Ø12	Raw	150	16	4.21
11647415	496-150	L=150 Ø12	Raw	250	16	5.63
11617615	496T-150	L=150 Ø12	Raw	250	16	6.40

Capacity per couple hinges, L/H=1



496

Drop Hinge With Brass-Covered, Steel/pivot And Washer
 Paumelle à goutte avec pivot revêtu de laiton avec rondelle
 Bandrolle mit Messing beschichtetem Zapfen mit Unterlegsscheibe
 Pernio gota de agua eje recubierto de latón con arandela
 Шарнир "капля" со штифтом с латунным покрытием с шайбой

Code	Art.	Size	Finishing	Capacity Kg	Pcs/pack	Kg/pack
11648010	497-100	L=100 Ø12	Raw	150	16	4.24
11615810	497T-100	L=100 Ø12	Raw	150	10	2.60
11615810 001	497T-100	L=100 Ø12	Galvanized	150	10	2.60
11648015	497-150	L=150 Ø12	Raw	250	16	5.78
11615815	497T-150	L=150 Ø12	Raw	250	16	6.32
11648010 001	497Z-100	L=150 Ø12	Galvanized	250	16	4.24
11648015 001	497Z-150	L=150 Ø12	Galvanized	250	16	5.76
19912240	497PS-100	L=100 Ø12	Raw	150	16	4.24
19912245	497PS-150	L=150 Ø12	Raw	250	16	5.78

Capacity per couple hinges, L/H=1



497

Drop hinge with brass pivot and bearing
 Paumelle à goutte avec pivot en laiton avec rondelle
 Bandrolle mit Zapfen aus Messing mit Kugellager
 Pernio gota de agua eje latón con rodamiento
 Шарнир "капля" с латунным штифтом с подшипником

Code	Art.	Size	Finishing	Capacity Kg	Pcs/pack	Kg/pack
11648110	498-100	L=100 Ø12	Raw	150	16	4.16
11616710	498T-100	L=100 Ø12	Raw	150	16	4.19
11648115	498-150	L=150 Ø12	Raw	250	16	5.65
11616715 001	498T-150	L=150 Ø12	Galvanized	250	16	6.30
11648110 001	498Z-100	L=100 Ø12	Galvanized	150	16	4.16
11648115 001	498Z-150	L=150 Ø12	Galvanized	250	16	5.65

Capacity per couple hinges, L/H=1



PATENTED 498

Drop hinge with brass-covered, steel pivot and bearing
 Paumelle à goutte avec pivot en acier revêtu de laiton avec roulement
 Bandrolle mit Messing beschichtetem Zapfen aus Stahl mit Kugellager
 Pernio gota de agua con eje de acero recubierto de latón con rodamiento
 Шарнир "капля" со стальным штифтом с латунным покрытием с подшипником

Code	Art.	Size	Finishing	Capacity Kg	Pcs/pack	Kg/pack
11618515	500-150	L=146-163 Ø14	Raw	300	10	3.80

Capacity per couple hinges, L/H=1



500

Turned drop hinge, 7mm adjustable, with steel pivot
 Paumelle à goutte tournée, réglable 7mm. avec pivot en acier
 Formgepresstes und 7 mm-verstellbares Tropfenband mit Zapfen aus Stahl
 Pernio gota de agua torneada eje de acero regulable 7 mm
 Шарнир "капля" обточенный с регулируемым стальным штифтом 7 мм

Code	Art.	Size	Finishing	Capacity Kg	Pcs/pack	Kg/pack
11650010	501-100	96-103	Sandblasted	150	40	0,159
11650012	501-120	116-123	Sandblasted	225	40	0,191
11650014	501-140	136-143	Sandblasted	260	10	0,266
11650016	501-160	156-163	Sandblasted	300	10	0,311

Capacity per couple hinges, L/H=1



QUALITY SANDBLASTED FINISH 501

Turned drop hinge, 7mm adjustable, with steel pivot
 Paumelle à goutte tournée, réglable 7mm. avec pivot en acier
 Formgepresstes und 7 mm-verstellbares Tropfenband mit Zapfen aus Stahl
 Pernio gota de agua torneada eje de acero regulable 7 mm
 Шарнир "капля" обточенный с регулируемым стальным штифтом 7 мм

Code	Art.	Size	Finishing	Capacity Kg	Pcs/pack	Kg/pack
11619015	505-150	L=145 Ø14	Raw	600	10	7.06

Capacity per couple hinges, L/H=1



505

Big hinge long wing steel pivot with washer
 Paumelle grande aile longue réversible pivot en acier avec rondelle
 Scharnier mit langem Flügel, Kugellager und Zapfen aus Stahl
 Pernio pala larga reversible con arandela eje de acero
 Реверсивный шарнир с длинной полкой с шайбой и стальным штифтом

Code	Art.	Size	Finishing	Capacity Kg	Pcs/pack	Kg/pack
11619515	510-150	L=145 Ø14	Raw	600	10	7.05
11619515 001	510Z-150	L=145 Ø14	Galvanized	600	10	7.05

Capacity per couple hinges, L/H=1



510

Big hinge long wing steel pivot with bearing
 Paumelle grande aile longue réversible pivot en acier avec roulement
 Scharnier mit langem Flügel, Kugellager und Zapfen aus Stahl
 Pernio grande pala larga reversible con rodamiento eje de acero
 Реверсивный большой шарнир с длинной полкой с подшипником и стальным штифтом

515

Hinge, 7mm adjustable, with long wing and steel pivot
 Paumelle réglable 7mm, avec aile longue et pivot en acier
 7 mm-verstellbares Scharnier mit langem Flügel und Zapfen aus Stahl
 Pernio regulable 7 mm pala larga eje de acero
 Регулируемый шарнир 7 мм длинная полка стальной штифт



Code	Art.	Size	Finishing	Capacity Kg	Pcs/pack	Kg/pack
11620015	515-150	L=138-145 Ø14	Raw	600	10	7.37

Capacity per couple hinges, L/H=1

520

Hinge with reversible long wing and brass pivot
 Paumelle avec aile longue réversible et pivot en laiton
 Umkehrbares Scharnier mit langem Flügel und Zapfen aus Messing
 Pernio pala larga reversible eje de latón
 Реверсивный шарнир с длинной полкой с латунным штифтом



Code	Art.	Size	Finishing	Capacity Kg	Pcs/pack	Kg/pack
11620515	520-150	L=145 Ø14	Raw	450	10	7.03

Capacity per couple hinges, L/H=1

525

Big hinge long and drop wing with bearing
 Paumelle grande aile longue réversible avec roulement
 Scharnier mit langem Flügel und Tropfenflügel, Zapfen aus Stahl und Kugellager
 Pernio grande pala larga reversible y pala gota de agua eje de acero con rodamiento
 Реверсивный большой шарнир с длинной полкой и полкой "капля" с подшипником и стальным штифтом



Code	Art.	Size	Finishing	Capacity Kg	Pcs/pack	Kg/pack
11621015	525-150	L=149 Ø14	Raw	300	10	5.65

Capacity per couple hinges, L/H=1

530

Hinge with reversible long wing and brass pivot
 Paumelle avec aile longue réversible et pivot en laiton
 Umkehrbares Scharnier mit langem Flügel und Zapfen aus Messing
 Pernio pala larga reversible eje de latón
 Реверсивный шарнир с длинной полкой с латунным штифтом



Code	Art.	Size	Finishing	Capacity Kg	Pcs/pack	Kg/pack
11621515	530-150	L=138-145 Ø14	Raw	300	10	5.26

Capacity per couple hinges, L/H=1

540

Adjustable Hinge right or left for blast doors
 Paumelle réglable pour portes blindées
 Verstellbares Scharnier
 Bisagra ajustable para puertas blindadas
 Регулируемая петля для противозрывных дверей



Code	Art.	Size	Finishing	Capacity Kg	Pcs/pack	Kg/pack
11621615	540DX	L=146-154 Ø14	Raw	350	10	6.80
11621605	540SX	L=146-154 Ø14	Raw	350	10	6.80

Capacity per couple hinges, L/H=1

541

Adjustable Hinge to be fixed for blast doors
 Paumelle réglable pour portes blindées
 Verstellbares Scharnier
 Bisagra ajustable a fijar para puertas blindadas
 Регулируемая петля для противозрывных дверей



Code	Art.	Size	Finishing	Capacity Kg	Pcs/pack	Kg/pack
11621620	541DX	L=146-154 Ø14	Raw	350	10	7.50
11621610	541SX	L=146-154 Ø14	Raw	350	10	7.50

Capacity per couple hinges, L/H=1

Code	Art.	Size	Finishing	Capacity Kg	Pcs/pack	Kg/pack
11621705	542-70	L=152-159 Ø14	Raw	350	10	6.90

Capacity per couple hinges, L/H=1

**542-70**

Adjustable Hinge right or left,
to be fixed for blast doors
Paumelle réglable réversible
pour portes blindées
Verstellbares Umkehrbares Scharnier
Bisagra reversible ajustable
para puertas blindadas
Регулируемая петля для
противовзрывных дверей

Code	Art.	Size	Finishing	Capacity Kg	Pcs/pack	Kg/pack
11621710	543-70	L=152-159 Ø14	Raw	350	10	7.50

Capacity per couple hinges, L/H=1

**543-70**

Adjustable Hinge right or left,
to be fixed for blast doors
Paumelle réglable réversible
pour portes blindées
Verstellbares Umkehrbares Scharnier
Bisagra reversible ajustable a
fijar para puertas blindadas
Регулируемая петля для
противовзрывных дверей

Code	Art.	Size	Finishing	Capacity Kg	Pcs/pack	Kg/pack
11621805	544-15	L=146-154 Ø14	Raw	350	10	6.10

Capacity per couple hinges, L/H=1

**544**

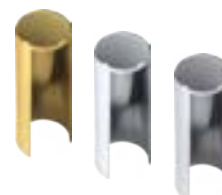
Adjustable Hinge right or
left for blast doors
Paumelle réglable pour portes blindées
Verstellbares Scharnier
Bisagra ajustable para
puertas blindadas
Регулируемая петля для
противовзрывных дверей

Code	Art.	Size	Finishing	Capacity Kg	Pcs/pack	Kg/pack
11601005	545-0	Ø20	Brassed		20	0.08
11601010	545-C	Ø20	Chromed		20	0.08
11601015	545-CS	Ø20	Satin chrome		20	0.08

**545**

Cover for hinges 495-
496-497-498 L 150
Couverture pour paumelles
495-496-497-498 L 150
Abdeckung für scharnier 495-
496-497-498 L 150
Cubierta cubreperno 495-
496-497-498 L 150
Накладка на петли 495-
496-497-498 L 150

Code	Art.	Size	Finishing	Capacity Kg	Pcs/pack	Kg/pack
12100905	546-0	Ø22	Brassed		20	0.08
12100910	546-C	Ø22	Chromed		20	0.08
12100915	546-CS	Ø22	Satin chrome		20	0.08

**546**

Cover for hinges 575-
576-577-578 L 150
Couverture pour paumelles
575-576-577-578 L 150
Abdeckung für scharnier 575-
576-577-578 L 150
Cubierta bisagra 575-
576-577-578 L 150
Накладка на петли 575-
576-577-578 L 150

Code	Art.	Size	Finishing	Capacity Kg	Pcs/pack	Kg/pack
12100950	547-DX-M	Ø22	Brown		20	0.13
12100960	547-SX-M	Ø22	Brown		20	0.13
12100955	547-DX-B	Ø22	White		20	0.13
12100965	547-SX-B	Ø22	White		20	0.13

**547**

Cover for hinges 540-541-542-543
Couverture pour paumelles
540-541-542-543
Abdeckung für scharnier
540-541-542-543
Cubierta cubreperno 540-541-542-543
Накладка на петли 540-541-542-543

548

Cover for hinges 540-541-542-543
 Couverture pour paumelles
 540-541-542-5430
 Abdeckung für scharnier
 540-541-542-543
 Cubierta bisagra 540-541-542-543
 Накладка на петли 540-541-542-543



Code	Art.	Size	Finishing	Capacity Kg	Pcs/pack	Kg/pack
12100970	548-27,5-M	Ø22	Brown		20	0.12
12100980	548-25,5-M	Ø22	Brown		20	0.12
12100975	548-27,5-B	Ø22	White		20	0.12
12100985	548-25,5-B	Ø22	White		20	0.12

550

Galvanized pin

Big hinge with 2 wings
 Grande paumelle avec 2 ailes
 Maxi-Scharnier 2-teilig
 Maxi-pernio de 2 palas
 Максишарнир с 2 полками



Code	Art.	Size	Finishing	Capacity Kg	Pcs/pack	Kg/pack
11622030	550-300	L=305 Ø32	Raw	800	4	8.45

Capacity per couple hinges, L/H=1

551

Galvanized pin

Big hinge with 3 wings
 Grande paumelle avec 3 ailes
 Maxi-Scharnier 3-teilig
 Maxi-pernio de 3 palas
 Максишарнир с 3 полками



Code	Art.	Size	Finishing	Capacity Kg	Pcs/pack	Kg/pack
11622530	551-300	L=305 Ø32	Raw	1000	4	8.31

Capacity per couple hinges, L/H=1

552

Galvanized pin

Big hinge with 4 wings
 Grande paumelle avec 4 ailes
 Maxi-Scharnier 4-teilig
 Maxi-pernio de 4 palas
 Максишарнир с 4 полками



Code	Art.	Size	Finishing	Capacity Kg	Pcs/pack	Kg/pack
11623030	552-300	L=305 Ø32	Raw	1300	4	8.29

Capacity per couple hinges, L/H=1

560

Drop hinge with steel pivot and washer
 Paumelle à goutte avec pivot
 en acier avec rondelle
 Bandrolle mit Zapfen aus Stahl
 mit Unterlegscheibe
 Pernio gota de agua eje de
 acero con arandela
 Шарнир "капля" со стальным
 штифтом с шайбой



Code	Art.	Size	Finishing	Capacity Kg	Pcs/pack	Kg/pack
11628506	560T-60	L=60 Ø6	Raw	75	40	1.56
11628506 001	560T-60	L=60 Ø6	Galvanized	75	40	1.56
11647608	560-80	L=80 Ø7	Raw	110	50	4.05
11647608 001	560Z-80	L=80 Ø7	Galvanized	110	50	4.05
11647610	560-100	L=100 Ø9	Raw	150	40	5.96
11628510	560T-100	L=100 Ø9	Raw	150	40	6.68
11647612	560-120	L=118 Ø9	Raw	225	40	6.92
11628512	560T-120	L=118 Ø9	Raw	225	40	8.12
11647614	560-140	L=138 Ø12	Raw	260	20	6.74
11628514	560T-140	L=138 Ø12	Raw	260	20	7.40
11628516	560-160	L=156 Ø12	Raw	300	10	4.20
11628518	560-180	L=175 Ø12	Raw	330	10	4.74

Capacity per couple hinges, L/H=1

Code	Art.	Size	Finishing	Capacity Kg	Pcs/pack	Kg/pack
11647710	564-100	L=100 Ø9	Raw	150	50	7.50
11615911	564T-100	L=100 Ø9	Raw	150	50	8.50
11647712	564-120	L=118 Ø9	Raw	225	40	7.00
11615912	564T-120	L=118 Ø9	Raw	225	40	8.20
11647714	564-140	L=138 Ø12	Raw	260	20	6.20
11615914	564T-140	L=138 Ø12	Raw	260	20	7.54
11615916	564-160	L=156 Ø12	Raw	300	10	4.30
11615918	564-180	L=175 Ø12	Raw	330	10	4.77

Capacity per couple hinges, L/H=1



564

Drop hinge with steel pivot and bearing
 Paumelle à goutte avec pivot en acier avec roulement
 Bandrolle mit Zapfen aus Stahl mit Kugellager
 Pernio gota de agua eje de acero con rodamiento
 Шарнир "капля" со стальным штифтом с подшипником

Code	Art.	Size	Finishing	Capacity Kg	Pcs/pack	Kg/pack
11615604	570-40	L=40 Ø6	Raw	52	40	1.20
11615606	570-60	L=60 Ø6	Raw	75	40	1.32
11615608	570-80	L=80 Ø9	Raw	110	40	3.32
11615610	570-100	L=100 Ø9	Raw	150	40	3.88
11615612	570-120	L=119 Ø9	Raw	225	40	6.88
11615614	570-140	L=139 Ø9	Raw	300	40	7.76

Capacity per couple hinges, L/H=1



570

Drop hinge "Futura" with steel pin
 Paumelle "Futura" avec pivot en acier
 Bandrolle „Futura“ mit Zapfen aus Stahl
 Pernio "Futura" eje de acero
 Шарнир "Futura" стальной штифт

Code	Art.	Size	Finishing	Capacity Kg	Pcs/pack	Kg/pack
11616104	572-40	L=40 Ø6	Raw	52	40	1.20
11616106	572-60	L=60 Ø6	Raw	75	40	1.36
11616108	572-80	L=80 Ø9	Raw	110	40	3.16
11616110	572-100	L=100 Ø9	Raw	150	40	3.92
11616112	572-120	L=119 Ø9	Raw	225	40	6.84
11616114	572-140	L=139 Ø9	Raw	300	40	8.04

Capacity per couple hinges, L/H=1



572

Drop hinge "Futura" with brass pin
 Paumelle "Futura" avec pivot en laiton
 Bandrolle „Futura“ mit Zapfen aus Messing
 Pernio "Futura" eje de latón
 Шарнир "Futura" латунный штифт

Code	Art.	Size	Finishing	Capacity Kg	Pcs/pack	Kg/pack
11617110	574-100	L=98 Ø14	Raw	150	16	4.32
11617115	574-150	L=150 Ø14	Raw	300	16	6.51

Capacity per couple hinges, L/H=1



574

Drop hinge "Futura" with steel pin and washer
 Paumelle "Futura" avec pivot en acier et rondelle
 Bandrolle „Futura“ mit Stift aus Stahl und Unterlegsscheibe
 Pernio "Futura" eje de acero con arandela
 Шарнир "Futura" со стальным штифтом с шайбой

Code	Art.	Size	Finishing	Capacity Kg	Pcs/pack	Kg/pack
11617210	575-100	L=98 Ø14	Raw	150	16	4.80
11617215	575-150	L=150 Ø14	Raw	300	16	6.51

Capacity per couple hinges, L/H=1



575

Drop hinge "Futura" with steel pin and bearing
 Paumelle "Futura" avec pivot en acier et bague à bille
 Bandrolle „Futura“ mit Stift aus Stahl und Kugellager
 Pernio "Futura" eje de acero con rodamiento
 Шарнир "Futura" со стальным штифтом с подшипником

Code	Art.	Size	Finishing	Capacity Kg	Pcs/pack	Kg/pack
11617310	576-100	L=100 Ø14 - 22x27	Raw	110	10	3.00
11617314	576-140	L=142 Ø10 - 18x22	Raw	150	16	6.08
11617315	576-150	L=150 Ø14 - 22x27	Raw	180	16	6.51

Capacity per couple hinges, L/H=1



576

Drop hinge "Futura" with brass bearing pin and washer
 Paumelle "Futura" avec pivot roulement en laiton et rondelle
 Bandrolle "Futura" mitt kugellager stift aus messing und unterlegsscheibe
 Pernio "Futura" eje con cojinete de latón con arandela
 Шарнир "Futura" с контактный покрытием из латуни шайбой

577

Drop hinge "Futura" with brass pin and bearing
Paumelle "Futura" avec pivot en laiton et bague à bille
Bandrolle „Futura“ mit Stift aus Messing und Kugellager
Pernio "Futura" eje de latón con rodamiento
Шарнир "Futura" с латунным штифтом с подшипником



Code	Art.	Size	Finishing	Capacity Kg	Pcs/pack	Kg/pack
11648310	577-100	L=100 Ø14 - 22x27	Raw	110	16	4.62
11648314	577-140	L=142 Ø10 - 18x22	Raw	150	16	4.14
11648315	577-150	L=150 Ø14 - 22x27	Raw	180	16	6.08
11648315 001	577Z-150	L=150 Ø14 - 22x27	Galvanized	180	16	6.08
11617915	577PS-150	L=150 Ø14 - 22x27	Raw	180	16	6.51

Capacity per couple hinges, L/H=1

578

Drop hinge "futura" with reinforced, brass-covered pivot and bearing
Paumelle Futura avec pivot renforcé et revêtu de laiton avec roulement
Bandrolle "Futura" mit verstärktem und mit Messig beschichtetem Zapfen mit Kugellager
Pernio "Futura" eje reforzado y recubierto de latón con rodamiento
Шарнир "Futura" с укрепленным штифтом с латунным покрытием с подшипником



Code	Art.	Size	Finishing	Capacity Kg	Pcs/pack	Kg/pack
11648410	578-100	L=100 Ø14 - 22x27	Raw	110	16	4.42
11648414	578-140	L=142 Ø10 - 18x22	Raw	150	16	4.00
11648415	578-150	L=150 Ø14 - 22x27	Raw	180	16	6.29

Capacity per couple hinges, L/H=1

NEW
580

QUALITY SANDBLASTED FINISH

Drop hinge with steel pivot and brass washer
Paumelle à goutte avec pivot en acier avec rondelle en laiton
Bandrolle mit Zapfen aus Stahl mit Unterlegscheibe aus Messing
Bisagra gota de agua eje de acero con arandela de latón
Шарнир "капля" со стальным штифтом с шайбойс латунными шайбами



Code	Art.	Size	Finishing	Capacity Kg	Pcs/pack	Kg/pack
11658006	580T-60	L=60 Ø6	Sandblasted	75	40	1.56
11658008	580T-80	L=80 Ø7	Sandblasted	110	50	4.05
11658010	580T-100	L=100 Ø9	Sandblasted	150	40	7.08
11658012	580T-120	L=118 Ø9	Sandblasted	225	40	8.12
11658014	580T-140	L=138 Ø12	Sandblasted	260	20	7.40
11658016	580T-160	L=156 Ø12	Sandblasted	300	10	4.20
11658018	580T-180	L=175 Ø12	Sandblasted	330	10	5.14
11658020	580T-200	L=175 Ø14	Sandblasted	400	10	5.14

Capacity per couple hinges, L/H=1

NEW
584

QUALITY SANDBLASTED FINISH

Drop hinge with steel pivot and bearing
Paumelle à goutte avec pivot en acier avec roulement
Bandrolle mit Zapfen aus Stahl mit Kugellager
Bisagra gota de agua eje de acero con rodamiento
Шарнир "капля" со стальным штифтом с подшипником



Code	Art.	Size	Finishing	Capacity Kg	Pcs/pack	Kg/pack
11658410	584T-100	L=100 Ø9	Sandblasted	150	40	8.50
11658412	584T-120	L=118 Ø9	Sandblasted	225	40	8.20
11658414	584T-140	L=138 Ø12	Sandblasted	260	20	7.54
11658416	584T-160	L=156 Ø12	Sandblasted	300	10	4.30
11658418	584T-180	L=175 Ø12	Sandblasted	330	10	5.17
11658420	584T-200	L=175 Ø14	Sandblasted	400	10	5.17

Capacity per couple hinges, L/H=1

590

Threaded peg for armoured doors
Piquet taraudé pour portes blindées
Sicherheitsdorn mit Gewinde für gepanzerte Türen
Pivote roscado para puertas blindadas
Резьбовой колышек для бронированных дверей



Code	Art.	Size	Finishing	Capacity Kg	Pcs/pack	Kg/pack
10703005 001	590	M18 L=30	Galvanized		100	3.10

591

Hinge for transom windows
Paumelle vasistas
Scharnier für Klappfenster
Bisagra para abatible
Петля для фрамуги



Code	Art.	Size	Finishing	Capacity Kg	Pcs/pack	Kg/pack
10703015 001	591-16	L=17 Ø16	Galvanized		100	2.20
10703020 001	591-18	L=17 Ø18	Galvanized		100	2.90
10703025 001	591-20	L=17 Ø20	Galvanized		100	3.60

Code	Art.	Size	Finishing	Capacity Kg	Pcs/pack	Kg/pack
11623505	600-65	67x68, 40°	Raw		40	4.08
11623510	600-85	90x92, 48°	Raw		20	3.14

**600**

Hinge for transom windows
Paumelle vasistas
Scharnier für Klappfenster
Bisagra para abatible
Петля для фрамуги

Code	Art.	Size	Finishing	Capacity Kg	Pcs/pack	Kg/pack
11624005	606-65		Raw		40	4.84
11624010	606-85		Raw		25	5.40

**606**

Compass hinge for transom windows
Paumelle à compas pour vasistas
Scharnier für Klappfenster
Bisagra compás para abatible
Компасная петля для фрамуги

Code	Art.	Size	Finishing	Capacity Kg	Pcs/pack	Kg/pack
11805010 001	607-30	L30-40 Ø30	Galvanized		50	4.40
11805005 001	607-35	L30-40 Ø35	Galvanized		50	5.80

**607**

Adjustable spacer for grate
Entretoises réglables pour grille
Verstellbar Abstandsstück
Espaciador ajustable para rejilla

Code	Art.	Size	Finishing	Capacity Kg	Pcs/pack	Kg/pack
11805020 001	608-30	L23-33 Ø30	Galvanized		50	4.10
11805015 001	608-35	L23-33 Ø35	Galvanized		50	5.30

**608**

Adjustable spacer for grate
Entretoises réglables pour grille
Verstellbar Abstandsstück
Espaciador ajustable para rejilla

Code	Art.	Size	Finishing	Capacity Kg	Pcs/pack	Kg/pack
11805030 001	609-30	L45-65 Ø30	Galvanized		50	8.30
11805025 001	609-35	L45-65 Ø35	Galvanized		50	12.20

**609**

Adjustable spacer for grate
Entretoises réglables pour grille
Verstellbar Abstandsstück
Espaciador ajustable para rejilla

Code	Art.	Size	Finishing	Capacity Kg	Pcs/pack	Kg/pack
12207505 001	615-10	24x10, R=6	Galvanized		500	3.00
12207510 001	615-12	26x12, R=9	Galvanized		500	3.50

**615**

Cover-angle for windows
Couvre-coin pour fenêtres
Winkelbedeckung für Fenster
Cubre-esquina para ventanas
Уголок для окон



Bolts and other accessories

 **COMUNELLO****GATE**

620

Galvanised latch
Verrou zingué
Verzinkter Riegel
Cerrojo Galvanizado
Оцинкованный засов



Code	Art.	Size	Finishing	Capacity Kg	Pcs/pack	Kg/pack
11700505 001	620	☒	Galvanized		50	2.05

625

Zinked key
Clé en zamak
Schlüssel aus Zamak
Llave de zamak
Ключик зама



Code	Art.	Size	Finishing	Capacity Kg	Pcs/pack	Kg/pack
11701005 001	625	☒	Galvanized		50	1.10
11701010 001	625	△	Galvanized		50	1.15

627

Galvanised lever latch
Verrou à levier zingué
Riegel mit Hebel verzinkt
Cerrojo con maneta galvanizado
Засов с рычагом оцинкованный



Code	Art.	Size	Finishing	Pcs/pack	Kg/pack
11701105 001	627P	Piccolo	Galvanized	20	1.28
11701110 001	627G	Grande	Galvanized	20	2.72

628

Aluminium key for latch
Clé en aluminium pour verrou
Aluminium Schlüssel für Riegel
Llave en latón para cerrojo
Алюминий ключ для защелки



Code	Art.	Size	Finishing	Pcs/pack	Kg/pack
11701205	628			20	0.44

630

Catch for transom windows
Loqueteau pour vasistas
Schnappschluss für Klappfenster
Cierre para abatible
Собачка для фрамуги



Code	Art.	Size	Finishing	Pcs/pack	Kg/pack
11701505 001	630	Stroke 12.4	Galvanized	50	3.50

635

Catch for transom windows
Loqueteau pour vasistas
Schnappschluss für Klappfenster
Cierre para abatible
Собачка для фрамуги



Code	Art.	Size	Finishing	Pcs/pack	Kg/pack
11702005	635	Stroke 14,2	Raw	50	4.25

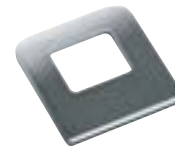
640

Catch for transom windows
Loqueteau pour vasistas
Schnappschluss für Klappfenster
Cierre para abatible
Собачка для фрамуги



Code	Art.	Size	Finishing	Pcs/pack	Kg/pack
11702505	640	Stroke 16,7	Raw	25	4.10

Code	Art.	Size	Finishing	Pcs/pack	Kg/pack
11703005	645	for Art. 630	Raw	200	4.80

**645**

Staple for art.630
Gâche pour art.630
Befestigungsklammer für Art. 630
Cerradero para art. 630
Скоба для арт. 630

Code	Art.	Size	Finishing	Pcs/pack	Kg/pack
11703505	650	for Art. 630-635-640	Raw	200	6.20

**650**

Gâche pour art.630-635-640
Befestigungsklammer für Art. 630-635-640
Cerradero para arts. 630 – 635 – 640
Скоба для арт. 630 – 635 – 640

Code	Art.	Size	Finishing	Pcs/pack	Kg/pack
11704005	655	for Art. 630-635-640	Raw	200	3.60

**655**

Staple for art.630 -635-640
Gâche pour art.630-635-640
Befestigungsklammer für Art. 630-635-640
Cerradero para arts. 630 – 635 – 640
Скоба для арт. 630 – 635 – 640

Code	Art.	Size	Finishing	Pcs/pack	Kg/pack
10904005 001	660DX		Galvanized	20	2.98

**660DX**

Lever bolt
Poignée de blocage
Fensterverschluss
Manilla de bloqueo
Ручка с блокировкой

Code	Art.	Size	Finishing	Pcs/pack	Kg/pack
10904010 001	660SX		Galvanized	20	2.98

**660SX**

Lever bolt
Poignée de blocage
Fensterverschluss
Manilla de bloqueo
Ручка с блокировкой

Code	Art.	Size	Finishing	Pcs/pack	Kg/pack
10904505 001	662		Galvanized	20	4.54

**662**

Reversible lever bolt
Poignée de blocage réversible
Fensterverschluss doppelseitig
Manilla de bloqueo reversible
Реверсивная ручка с блокировкой

Code	Art.	Size	Finishing	Pcs/pack	Kg/pack
11801005 001	670		Galvanized	6	2.17

**670**

Lever handle
Béquille à levier
Hebel.Drücher
Tuerca de bloqueo
Ручка рычага

671

Bended pull handle dia.15mm
Poignée courbée dia.15mm
Gebogener Stossgriff Durchm.15 mm
Tirador curvo Ø 15 mm
Изогнутая ручка Ø15 мм



Code	Art.	Size	Finishing	Pcs/pack	Kg/pack
11000400 503	671P	L=215 Ø15	RAL9005	10	6.40
11000401 503	671G	L=265 Ø15	RAL9005	10	7.10

673

Bolt to be welded
Verrou à souder
Stossriegel zum Anschweißen
Pasador para soldar
Привариваемая цепь



Code	Art.	Size	Finishing	Pcs/pack	Kg/pack
11900505 001	673		Galvanized	25	4.15

674

Die-cast alloy handle
Béquille en zamac moulée
sous pression
Torgriff aus Druckguss-Zamak
Tirador de zamak fundido a presión
Ручка из литого сплава замка



Code	Art.	Size	Finishing	Pcs/pack	Kg/pack
10905006 503	674	L=162	RAL9005	20	4.16

675

Bended pull handle dia.15mm
Poignée courbée dia.15mm
Gebogener Stossgriff Durchm.15 mm
Tirador curvado Ø 15 mm
Ручка гнутая Ø 15 мм



Code	Art.	Size	Finishing	Pcs/pack	Kg/pack
11000505 503	675P	L=215 Ø15	RAL9005	10	6.10
11000510 503	675G	L=265 Ø15	RAL9005	10	6.45

677

Straight pull handle dia.15mm
Poignée droite dia.15mm
Gerader Stossgriff Durchm. 15mm
Tirador recto Ø 15 mm
Ручка прямая Ø 15 мм



Code	Art.	Size	Finishing	Pcs/pack	Kg/pack
11001005 503	677P	L=215 Ø15	RAL9005	10	4.53
11001010 503	677G	L=265 Ø15	RAL9005	10	5.42

678

Bended pull handle
Poignée courbée
Gebogener rohrförmiger Stossgriff
Tirador tubular curvado
Ручка трубчатая гнутая



Code	Art.	Size	Finishing	Pcs/pack	Kg/pack
11001505 503	678P	L=234 Ø20	RAL9005	10	4.21
11001510 503	678G	L=351 Ø28	RAL9005	10	8.96

Code	Art.	Size	Finishing	Pcs/pack	Kg/pack
11002505 503	679P	L=234 Ø20	RAL9005	10	3.20
11002510 503	679G	L=351 Ø28	RAL9005	10	6.70

**679**

Straight pull handle
Poignée droite
Rohrförmiger gerader Stossgriff
Tirador tubular recto
Ручка трубчатая прямая

Code	Art.	Size	Finishing	Pcs/pack	Kg/pack
11203005 001	680	Rod 14X14	Galvanized	5	4.53

**680**

"Car" lever bolt internal bars 14x14mm
Crémone à levier "Car" tringles
intérieures 14x14mm
Treibriegel "Car" Innenstange
14x14mm
Falleba "Car" varillas
externas 14x14 mm
Болтовой рычаг "Car"
наружные штыри 14x14 мм

Code	Art.	Size	Finishing	Pcs/pack	Kg/pack
11203505 001	682	Rod 14X14	Galvanized	5	5.00

**682**

"Car" lever bolt external bars 14x14mm
Crémone à levier "Car" tringles
extérieures 14x14mm
Treibriegel "Car" mit Zylinder und
Außenstangen 14x14 mm
Falleba "Car" con cilindro
varillas externas 14x14 mm
Болтовой рычаг "Car" с цилиндром
наружные штыри 14x14 мм

Code	Art.	Size	Finishing	Pcs/pack	Kg/pack
10205505 001	683	L=1500	Galvanized	1	1.18
10205510 001	683	L=2000	Galvanized	1	1.57

**683**

Bar for lever bolt art.686 10X10mm
Tringle pour crémonne
art.686 10X10mm
Stange für Treibriegel
art.686 10X10mm
Varilla para falleba art. 686 10x10 mm
Стержень для болтового
рычага арт.686 10x10 мм

Code	Art.	Size	Finishing	Pcs/pack	Kg/pack
11204005 700	684		Grigio	5	3.55

**684**

"Bon" lever bolt with cylinder
Crémones à levier "Bon" avec cylindre
Treibriegel "Bon" mit Zylinder
Falleba "Bon" con cilindro
Болтовой рычаг "Bon" с цилиндром

Code	Art.	Size	Finishing	Pcs/pack	Kg/pack
11204805 503	685	Rod Ø6	RAL9005	10	5.00

**685**

Lever bolt internal bars dia.6mm
Crémone à levier tringles
intérieures dia 6mm
Treibriegel für Innenstange
Durchm. 6mm
Falleba para varillas internas Ø6 mm
Болтовой рычаг для
внутренних штырей Ø6 мм

686

Lever bolt for external bars 10x10mm
 Crémone à levier pour tringles extérieures 10x10mm
 Treibriegel für Außenstange Durchm. 10x10mm
 Falleba para varillas externas 10x10 mm
 Болтовой рычаг для наружных стержней 10x10 мм



Code	Art.	Size	Finishing	Pcs/pack	Kg/pack
11204705 503	686	Rod 10X10	RAL9005	10	5.00

687

Holed bar 14x14 mm for lever bolt art.680-682
 Tringle percée 14x14mm pour crémones art.680-682
 Stange mit Bohrungen 14x14mm für Treibriegel art.680-682
 Varilla perforada 14x14 mm para falleba arts. 680-682
 Стержень с отверстиями 14x14 мм для болтового рычага арт.680-682



Code	Art.	Size	Finishing	Pcs/pack	Kg/pack
10206005 001	687	L=1500	Galvanized	1	2.31
10206010 001	687	L=2000	Galvanized	1	3.08

688

Rod for locks
 Tringle pour serrures
 Stange für Schlösser
 Varilla para cerraduras



Code	Art.	Size	Finishing	Pcs/pack	Kg/pack
10206510 001	688	L=1200	Galvanized	50	10.50

689

Rod tip for locks
 Pointe de Tringle pour serrures
 Spitze für SchlösserStange
 Punta de varilla para cerraduras



Code	Art.	Size	Finishing	Pcs/pack	Kg/pack
10206515 001	689-8		Galvanized	50	1.60
10206520 001	689-10		Galvanized	50	2.35
10206525 001	689-12		Galvanized	50	3.30
10206530 001	689-14		Galvanized	50	4.45

700Z

Flush mounted bolt with 2 locking and brass lever
 Verrou à bascule avec 2 sorties et levier bichromaté
 Kantenriegel mit Doppel-Bewegung und Hebel aus Messing
 Pasador doble de embutir manilla de latón
 Цепь встраиваемая двойная рычаг из латуни



Code	Art.	Size	Finishing	Pcs/pack	Kg/pack
11901005 001	700Z	Stroke 13	Galvanized	10	3.21

704

Flush mounted bolt with 1 locking, galvanised lever
 Verrou à bascule avec 1 sortie et levier zingué
 Kantenriegel mit Einzel-Bewegung und Hebel verzinkt
 Cerrojo empotrado para bloquear la puerta al cerrarse, barra galvanizada
 Цепь встраиваемая одинарная рычаг из Оцинкованная



Code	Art.	Size	Finishing	Pcs/pack	Kg/pack
11901206 001	704-16	Stroke 16	Galvanized	20	2.08
11901211 001	704-20	Stroke 16	Galvanized	20	2.10
11901216 001	704-24	Stroke 16	Galvanized	20	2.24
11901215 001	704-24	Stroke 16	Galvanized	20	2.26

Code	Art.	Size	Finishing	Pcs/pack	Kg/pack
11901605 001	705-16	Stroke 16	Galvanized	20	2.02
11901610 001	705-20	Stroke 16	Galvanized	20	2.20
11901615 001	705-24	Stroke 16	Galvanized	20	2.34

**705**

Flush mounted bolt with 1 locking, brass lever
 Verrou à bascule avec 1 sortie et levier bichromaté
 Kantenriegel mit Einzel-Bewegung und Hebel aus Messing
 Pasador de embutir manilla de latón
 Цепь встраиваемая одинарная рычаг из латуни

Code	Art.	Size	Finishing	Pcs/pack	Kg/pack
11901805 001	706	Stroke 30	Galvanized	6	1.80

**706**

Flush mounted bolt for armoured doors with 1 locking and nickel-plate brass lever stroke 30 mm
 Verrou à bascule pour portes blindées avec 1 sortie et levier en laiton nickelé course 30 mm
 Kantenriegel für gepanzerte Türe mit Einzel-Bewegung und Hebel aus nickelplattiertem Messing 30 mm Hub
 Pasador para puertas blindadas manilla de latón niquelado carrera 30 mm
 Цепь для бронированных дверей одинарная рычаг из латуни никелированный ход 30 мм

Code	Art.	Size	Finishing	Pcs/pack	Kg/pack
11901905 001	707	Stroke 15	Galvanized	6	2.15

**707**

Flush mounted bolt for armoured doors with 2 lockings and nickel-plate brass lever stroke 15 mm
 Verrou à bascule pour portes blindées avec 2 sorties et levier en laiton nickelé course 15 mm
 Kantenriegel für gepanzerte Türe mit Doppel-Bewegung und Hebel aus nickelplattiertem Messing 15 mm Hub
 Pasador doble para puertas blindadas manilla de latón niquelado carrera 15 mm
 Цепь для бронированных дверей двойная рычаг из латуни никелированный ход 15 мм

Code	Art.	Size	Finishing	Pcs/pack	Kg/pack
11901705 001	708	Stroke 21	Galvanized	6	2.87

**708**

Flush mounted bolt for armoured doors with 2 lockings and nickel-plate brass lever stroke 21 mm
 Verrou à bascule pour portes blindées avec 2 sorties et levier en laiton nickelé course 21 mm
 Kantenriegel für gepanzerte Türe mit Doppel-Bewegung und Hebel aus nickelplattiertem Messing 21 mm Hub
 Pasador doble para puertas blindadas manilla de latón niquelado carrera 21 mm
 Цепь для бронированных дверей двойная рычаг из латуни никелированный ход 21 мм

Code	Art.	Size	Finishing	Pcs/pack	Kg/pack
11902005 001	710-130		Galvanized	10	2.04
11902010 001	710-300		Galvanized	10	3.94
11902015 001	710-500		Galvanized	10	5.99

**710**

∇ 10

Square bolt
 Verrou carré
 Stangenriegel mit viereckiger Spitze
 Pasador punta cuadrada
 Цепь с квадратным наконечником

Code	Art.	Size	Finishing	Pcs/pack	Kg/pack
11902505 001	712-130		Galvanized	10	1.95
11902510 001	712-300		Galvanized	10	3.89
11902515 001	712-500		Galvanized	10	5.99

**712**

∅ 10

Round bolt
 Verrou avec pointe ronde
 Stangenriegel mit runder Spitze
 Pasador punta redonda
 Цепь с круглым наконечником

714

Ø 14

Square bolt
 Verrou avec pointe carrée
 Stangenriegel mit viereckiger Spitze
 Pasador punta cuadrada
 Цепь с квадратным наконечником



Code	Art.	Size	Finishing	Pcs/pack	Kg/pack
11903005 001	714-330		Galvanized	5	3.67
11903010 001	714-660		Galvanized	5	6.51

716

Ø14

Round bolt
 Verrou avec pointe ronde
 Stangenriegel mit runder Spitze
 Pasador punta redonda
 Цепь с круглым наконечником



Code	Art.	Size	Finishing	Pcs/pack	Kg/pack
11903505 001	716-330		Galvanized	5	3.65
11903510 001	716-660		Galvanized	5	6.50

719

Ø19

Round bolt
 Verrou avec pointe ronde
 Stangenriegel mit runder Spitze
 Pasador punta redonda
 Цепь с круглым наконечником



Code	Art.	Size	Finishing	Pcs/pack	Kg/pack
11903905 001	719		Galvanized	2	4.24

720

Round-pointed bolt with lever
 Verrou à levier avec pointe arrondie
 Stangenriegel mit abgerundetem Hebelspitze
 Pasador de manilla punta redondeada
 Цепь с рычагом с круглым наконечником



Code	Art.	Size	Finishing	Pcs/pack	Kg/pack
11904005 001	720-350	Stroke 32	Galvanized	10	3.16
11904010 001	720-450	Stroke 32	Galvanized	10	3.67
11904015 001	720-600	Stroke 32	Galvanized	10	4.39
11904020 001	720-800	Stroke 32	Galvanized	10	5.41

725

Heavy bolt with lever
 Verrou lourd à levier
 Stangenriegel mit großem Hebel
 Pasador de manilla pesado
 Тяжелая цепь с рычагом



Code	Art.	Size	Finishing	Pcs/pack	Kg/pack
11904505 001	725-450	Stroke 38	Galvanized	10	7.76
11904510 001	725-600	Stroke 38	Galvanized	10	9.66
11904515 001	725-800	Stroke 38	Galvanized	10	12.23

732Z

Automatic bolt for 2 leaf gates
 Verrous autobloquants
 Automatisch Riegel
 Cerraduras autoblocantes
 Самоблокирующиеся замки



Code	Art.	Size	Finishing	Pcs/pack	Kg/pack
11904705 001	732Z	Stroke 21	Galvanized	6	2.53

Code	Art.	Size	Finishing	Pcs/pack	Kg/pack
11905005 001	735-150	Stroke 50	Galvanized	10	2.00
11905010 001	735-200	Stroke 50	Galvanized	10	2.63
11905015 001	735-250	Stroke 50	Galvanized	10	3.18
11905020 001	735-300	Stroke 50	Galvanized	10	3.87
11905025 001	735-400	Stroke 50	Galvanized	10	5.10
11905030 001	735-500	Stroke 50	Galvanized	10	6.35
11905035 001	735-600	Stroke 50	Galvanized	10	7.12
11905040 001	735-800	Stroke 50	Galvanized	10	10.20

**735**

Medium bolt to be welded
 Verrou moyen à souder
 Stangenriegel zum
 Anschweißen medium
 Pasador mediano para soldar
 Средняя привариваемая цепь

Code	Art.	Size	Finishing	Pcs/pack	Kg/pack
11905205 001	737-150	Stroke 40	Galvanized	10	2.29
11905210 001	737-200	Stroke 55	Galvanized	10	3.01
11905215 001	737-250	Stroke 55	Galvanized	10	3.75
11905220 001	737-300	Stroke 55	Galvanized	10	4.50
11905225 001	737-400	Stroke 55	Galvanized	10	6.02
11905230 001	737-500	Stroke 55	Galvanized	10	6.53
11905235 001	737-600	Stroke 55	Galvanized	10	9.08
11905240 001	737-800	Stroke 55	Galvanized	10	12.15

**737**

Ø12mm
 Bolt to be welded round bar dia.12mm
 Verrou à souder tringle ronde dia.12mm
 Stossriegel mit abgerundeter
 Stange zum Anschweißen
 Pasador para soldar varilla
 redonda Ø 12 mm
 Привариваемая цепь круглый
 стержень Ø 12 мм

Code	Art.	Size	Finishing	Pcs/pack	Kg/pack
11905505 001	740-150	Stroke 40	Galvanized	10	1.80
11905510 001	740-200	Stroke 40	Galvanized	10	2.24
11905515 001	740-250	Stroke 40	Galvanized	10	2.90
11905520 001	740-300	Stroke 40	Galvanized	10	3.44
11905525 001	740-400	Stroke 40	Galvanized	10	4.38
11905530 001	740-500	Stroke 40	Galvanized	10	5.36
11905535 001	740-600	Stroke 40	Galvanized	10	6.58
11905540 001	740-800	Stroke 40	Galvanized	10	8.50

**740**

Ø14mm
 Light bolt
 Verrou léger
 Kleiner Stossriegel
 Pasador ligero 14 mm
 Легкая цепь 14 мм

Code	Art.	Size	Finishing	Pcs/pack	Kg/pack
11906005 001	745-200	Stroke 50	Galvanized	6	3.50
11906010 001	745-250	Stroke 50	Galvanized	6	4.45
11906015 001	745-300	Stroke 50	Galvanized	6	5.25
11906020 001	745-400	Stroke 50	Galvanized	6	6.84
11906025 001	745-500	Stroke 50	Galvanized	6	8.26
11906030 001	745-600	Stroke 50	Galvanized	6	10.20
11906035 001	745-800	Stroke 50	Galvanized	6	13.27

**745**

Ø25mm
 Heavy bolt
 Verrou lourd
 Grosser Stossriegel
 Pasador pesado 25 mm
 Тяжелая цепь 25 мм

Code	Art.	Size	Finishing	Pcs/pack	Kg/pack
11906500 001	750-100	Stroke 42	Galvanized	10	2.70
11906505 001	750-150	Stroke 42	Galvanized	10	2.68
11906510 001	750-200	Stroke 42	Galvanized	10	3.44

**750**

Ø16mm
 Medium padlock-bolt
 Verrou porte-cadenas moyen
 Hangschlossriegel medium
 Pasador portacandado mediano 16 mm
 Цепь для замка средняя 16 мм

Code	Art.	Size	Finishing	Pcs/pack	Kg/pack
11906705 005	752-130	Stroke 43	Bronzed	10	3.05
11906710 005	752-145	Stroke 71	Bronzed	10	3.79
11906715 005	752-170	Stroke 93	Bronzed	10	4.74
11906720 005	752-195	Stroke 118	Bronzed	10	5.61

**752**

Ø12
 Padlock-bolt with round rod
 Verrou porte-cadenas tringle ronde
 Hangschlossriegel mit
 abgerundeter Stange
 Pasador portacandado
 varilla redonda Ø 12
 Цепь для замка круглый
 стержень Ø 12

755

☞ 25mm

Heavy padlock-bolt
 Verrou porte-cadenas lourd
 Hangschlossriegel gross
 Pasador portacandado pesado 25 mm
 Цепь для замка тяжелая 25 мм



Code	Art.	Size	Finishing	Pcs/pack	Kg/pack
11907005 001	755-200	Stroke 70	Galvanized	4	3.56
11907010 001	755-300	Stroke 70	Galvanized	4	4.75
11907015 001	755-400	Stroke 100	Galvanized	4	6.02
11907020 001	755-500	Stroke 100	Galvanized	4	7.54

760

Ø14

Padlock-bolt with round rod d. 14 mm
 Verrou porte-cadenas tringle
 ronde dia. 14mm
 Hangschlossriegel mit
 abgerundeter Stange d. 14 mm
 Pasador portacandado
 varilla redonda Ø 14
 Цепь для замка круглый
 стержень Ø 14



Code	Art.	Size	Finishing	Pcs/pack	Kg/pack
11907505 001	760-180		Galvanized	10	4.15
11907510 001	760-215		Galvanized	10	4.93
11907515 001	760-270		Galvanized	10	6.09

800

☞ 18mm

Bolt to be screwed
 Verrou à visser
 Stossriegel zum Anschrauben
 Pasador para atornillar 18 mm
 Навинчивающаяся цепь 18 мм



Code	Art.	Size	Finishing	Pcs/pack	Kg/pack
11908005 001	800-200	Stroke 30	Galvanized	10	2.30
11908010 001	800-250	Stroke 30	Galvanized	10	2.87
11908015 001	800-300	Stroke 30	Galvanized	10	3.54
11908020 001	800-400	Stroke 30	Galvanized	10	4.77
11908025 001	800-500	Stroke 30	Galvanized	10	6.04
11908030 001	800-600	Stroke 30	Galvanized	10	7.22
11908035 001	800-800	Stroke 30	Galvanized	10	9.79

805

☞ 16mm

Transverse light bolt
 Verrou transversal léger
 Horizontalstossriegel klein
 Pasador transversal ligero 16 mm
 Легкая поперечная цепь 16 мм



Code	Art.	Size	Finishing	Pcs/pack	Kg/pack
11908505 005	805-80	Stroke 22	Bronzed	10	1.23
11908510 005	805-120	Stroke 40	Bronzed	10	1.78
11908515 005	805-160	Stroke 58	Bronzed	10	2.32
11908520 005	805-200	Stroke 78	Bronzed	10	2.83

810

☞ 16mm

Transverse medium bolt
 Verrou transversal moyen
 Horizontalstossriegel medium
 Pasador transversal mediano 16 mm
 Средняя поперечная цепь 16 мм



Code	Art.	Size	Finishing	Pcs/pack	Kg/pack
11909005 005	810-150	Stroke 34	Bronzed	10	2.00
11909010 005	810-200	Stroke 40	Bronzed	10	2.57
11909015 005	810-250	Stroke 72	Bronzed	10	3.10
11909020 005	810-300	Stroke 80	Bronzed	10	3.55
11909025 005	810-400	Stroke 120	Bronzed	10	4.64

820

☞ 25mm

Transverse heavy bolt 25 mm
 Verrou transversal lourd 25 mm
 Horizontalstossriegel gross 25 mm
 Pasador transversal pesado 25 mm
 Тяжелая поперечная цепь 25 мм



Code	Art.	Size	Finishing	Pcs/pack	Kg/pack
11909505 005	820-200	Stroke 40	Bronzed	4	2.39
11909510 005	820-300	Stroke 70	Bronzed	4	3.44
11909515 005	820-400	Stroke 100	Bronzed	4	4.54
11909520 005	820-500	Stroke 100	Bronzed	4	5.85

Code	Art.	Size	Finishing	Pcs/pack	Kg/pack
11910005 005	825-150	Stroke 40	Bronzed	10	2.19
11910010 005	825-200	Stroke 40	Bronzed	10	2.93
11910015 005	825-250	Stroke 40	Bronzed	10	3.62
11910020 005	825-300	Stroke 40	Bronzed	10	4.33
11910025 005	825-400	Stroke 40	Bronzed	10	5.70
11910030 005	825-500	Stroke 40	Bronzed	10	7.00
11910035 005	825-600	Stroke 40	Bronzed	10	8.43
11910040 005	825-800	Stroke 40	Bronzed	10	11.07

**825**

∅ 16mm

Vertical bolt
Verrou vertical moyen
Vertikaler Stossriegel medium
Pasador vertical mediano 16 mm
Средняя вертикальная цепь 16 мм

Code	Art.	Size	Finishing	Pcs/pack	Kg/pack
12002005 005	827		Bronzed	50	1.25

**827**

Strike for bolt art. 825
Gâche pour verrou art. 825
Schliesskloben für
Stossriegel Artikel 825
Encuentro para pasador art. 825
Упор для цепи арт. 825

Code	Art.	Size	Finishing	Pcs/pack	Kg/pack
11910505 005	835-200	Stroke 55	Bronzed	4	2.74
11910510 005	835-300	Stroke 55	Bronzed	4	3.97
11910515 005	835-400	Stroke 55	Bronzed	4	5.29
11910520 005	835-500	Stroke 55	Bronzed	4	6.60
11910525 005	835-600	Stroke 55	Bronzed	4	7.89
11910530 005	835-800	Stroke 55	Bronzed	4	10.50

**835**

Heavy vertical bolt
Verrou vertical lourd
Vertikaler Stossriegel gross
Pasador vertical pesado 25 mm
Тяжелая вертикальная цепь 25 мм

Code	Art.	Size	Finishing	Pcs/pack	Kg/pack
12002505 005	837		Bronzed	50	3.75

**837**

Strike for bolt art. 835
Gâche pour verrou art. 835
Schliesskloben für
Stossriegel Artikel 835
Encuentro para pasador art. 835
Упор для цепи арт. 835

Code	Art.	Size	Finishing	Pcs/pack	Kg/pack
11911005 001	840-200	Stroke 28	Galvanized	10	3.02
11911010 001	840-300	Stroke 28	Galvanized	10	4.42
11911015 001	840-400	Stroke 28	Galvanized	10	5.80
11911020 001	840-500	Stroke 28	Galvanized	10	7.08
11911025 001	840-600	Stroke 28	Galvanized	10	8.46
11911045 001	840-1000	Stroke 28	Galvanized	10	13.68

**840**

Bolt to be screwed
Verrou à visser
Gekröpfter Stossriegel
zum Anschrauben
Pasador para atornillar
curvado
Навинчивающаяся цепь гнутая

Code	Art.	Size	Finishing	Pcs/pack	Kg/pack
11911505 001	840D-200	Stroke 28	Galvanized	10	2.88
11911510 001	840D-300	Stroke 28	Galvanized	10	4.27
11911515 001	840D-400	Stroke 28	Galvanized	10	5.50
11911520 001	840D-500	Stroke 28	Galvanized	10	7.00
11911525 001	840D-600	Stroke 28	Galvanized	10	8.38

**840D**

Bolt to be screwed
Verrou à visser
Stossriegel zum Anschrauben
Pasador para atornillar
Навинчивающаяся цепь

852

Strike for bolt art.800
Gâche pour verrou art. 800
Schliesskloben für
Stossriegel Artikel 800
Encuentro para pasador art. 800
Упор для цепи арт. 800



Code	Art.	Size	Finishing	Pcs/pack	Kg/pack
12003005 001	852		Galvanized	50	1.00

855

Strike for bolt art.735
Gâche pour verrou art. 735
Schliesskloben für
Stossriegel Artikel 735
Encuentro para pasador art. 735
Упор для цепи арт. 735



Code	Art.	Size	Finishing	Pcs/pack	Kg/pack
12003505 001	855		Galvanized	50	1.45

857

Strike for bolt art.740
Gâche pour verrou art. 740
Schliesskloben für
Stossriegel Artikel 740
Encuentro para pasador art. 740
Упор для цепи арт. 740



Code	Art.	Size	Finishing	Pcs/pack	Kg/pack
12004005 001	857		Galvanized	50	2.90

866

Shutter stop to be fixed, triangle shape, adjustable, double rubber pads
Arrêt de vent à fixer double réglage court, double caoutchouc
Fensterblendefeststeller mit doppelter Regelung zu befestigen, kurz, Doppelgummi
Traba-postigo para fijar regulable a triángulo, doble goma
Стопор затвора должен быть фиксированным, треугольной формы, регулируемые, двойные резиновые накладки



Code	Art.	Size	Finishing	Pcs/pack	Kg/pack
15700005 503	866-05		RAL9005	20	4.90
15700010 503	866-10		RAL9005	20	5.20

867

Shutter stop to be fixed, triangle shape, adjustable, double rubber pads
Arrêt de vent à fixer double réglage court, double caoutchouc
Fensterblendefeststeller mit doppelter Regelung zu befestigen, kurz, Doppelgummi
Traba-postigo para fijar regulable a triángulo, doble goma
Стопор затвора должен быть фиксированным, треугольной формы, регулируемые, двойные резиновые накладки



Code	Art.	Size	Finishing	Pcs/pack	Kg/pack
15700015 503	867-05		RAL9005	20	5.70

868

Shutter stop to be fixed, double adjustment, short, double rubber pads
Arrêt de vent à fixer double réglage court, double caoutchouc
Fensterblendefeststeller mit doppelter Regelung zu befestigen, kurz, Doppelgummi
Traba-postigo para fijar doble regulación corto, doble goma
Стопор затвора должен быть фиксированным, треугольной формы, регулируемые, двойные резиновые накладки



Code	Art.	Size	Finishing	Pcs/pack	Kg/pack
15700020 503	868-05		RAL9005	20	5.40
15700025 503	868-15		RAL9005	20	6.00

Code	Art.	Size	Finishing	Pcs/pack	Kg/pack
15700030 503	869-05		RAL9005	20	6.30
15700035 503	869-15		RAL9005	20	6.40

**869**

Shutter stop to be fixed, double adjustment, long, double rubber pads
 Arrêt de vent à fixer double réglage long, double caoutchouc
 Fensterblendefeststeller, mit doppelter Regelung zu befestigen lang, Doppelgummi
 Traba-postigo para fijar doble regulación largo, doble goma
 Стопор затвора должен быть фиксированным, треугольной формы, регулируемые, двойные резиновые накладки

Code	Art.	Size	Finishing	Pcs/pack	Kg/pack
15700040 503	871-05		RAL9005	20	4.50
15700045 503	871-10		RAL9005	20	4.80

**871**

"Ometto" shutter stop to be fixed, adjustable, short
 Arrêt de vent à fixer réglable "Ometto" court
 Fensterblendefeststeller einstellbar zu befestigen, "Ometto" kurz
 Traba-postigo para fijar regulable "Ometto" corto
 Регулируемый ветрозащитный упор "Ometto"

Code	Art.	Size	Finishing	Pcs/pack	Kg/pack
15700050 503	873-05		RAL9005	20	4.25
15700055 503	873-10		RAL9005	20	4.55

**873**

"Pigna" shutter stop to be fixed, adjustable
 Arrêt de vent à fixer réglable "Pigna"
 Fensterblendefeststeller einstellbar zu befestigen "Pigna"
 Traba-postigo para fijar regulable "Pigna"
 Регулируемый ветрозащитный упор "Pigna"

Code	Art.	Size	Finishing	Pcs/pack	Kg/pack
15700060 503	874-05		RAL9005	20	2.00

**874**

Snap locking plastic shutter stop
 Arrêt de vent à enclenchement
 Auslösender Fensterblendefeststeller
 Traba-postigo con resorte
 Пластиковый затвор с защелкой

Code	Art.	Size	Finishing	Pcs/pack	Kg/pack
15700065 503	875-05		RAL9005	20	10.00
15700070 503	875-10		RAL9005	20	13.00

**875**

Shutter stop
 Arrêt de vent
 Fensterladen
 Traba-postigo
 Затвор

Code	Art.	Size	Finishing	Pcs/pack	Kg/pack
15700075 503	876-05		RAL9005	20	3.60

**876-05**

Roller shutter stop
 Arrêt de vent
 Balkenfensterladenfeststeller
 Traba-persiana
 Затвор

876-10

Shim for Roller shutter stop
 Epaisseur pour arrêt de vent
 Distanzstück für
 Balkonfensterladenfeststeller
 Espaciador para Traba-persiana
 Толщина для затвора



Code	Art.	Size	Finishing	Pcs/pack	Kg/pack
15700080	503	876-10	RAL9005	20	0.20

877

Magnetic shutter stop kit
 Kit bloque-volet magnétique
 Garnitur Jalousiehalter mit Magnet
 Kit para traba magnética
 Комплект магнитных затворов



Code	Art.	Size	Finishing	Pcs/pack	Kg/pack
15700085	503	877	RAL9005	12	5.50

877S

Shim for magnetic shutter stop
 Epaisseur pour bloque-volet magnétique
 Distanzstück für magnetischen
 Jalousiehalter
 Espesor para traba magnética
 Толщина для магнитных затворов



Code	Art.	Size	Finishing	Pcs/pack	Kg/pack
15700090	503	877S	RAL9005	100	0.50

878

Brass covering hole
 Bouchon en laiton
 Messingbolzen
 Alojamiento de latón
 Латунный колпачок



Code	Art.	Size	Finishing	Pcs/pack	Kg/pack
15800005	878-06		Brass	100	1.10
15800010	878-08		Brass	100	1.20
15800015	878-10		Brass	100	1.70
15800020	878-12		Brass	100	1.90
15800025	878-14		Brass	100	2.50
15800030	878-16		Brass	50	1.50
15800035	878-18		Brass	50	1.20
15800040	878-20		Brass	50	1.30
15800045	878-22		Brass	50	1.50

879

Anti-dust well in brass
 with return spring
 Bouchon antipoussière en laiton
 avec ressort de retour
 Staubbolzen aus Messing
 mit Rückholfeder
 Nicho antipolvo en bronce
 con resorte de retorno
 Латунный пылезащитный колпачок
 с возвратной пружиной

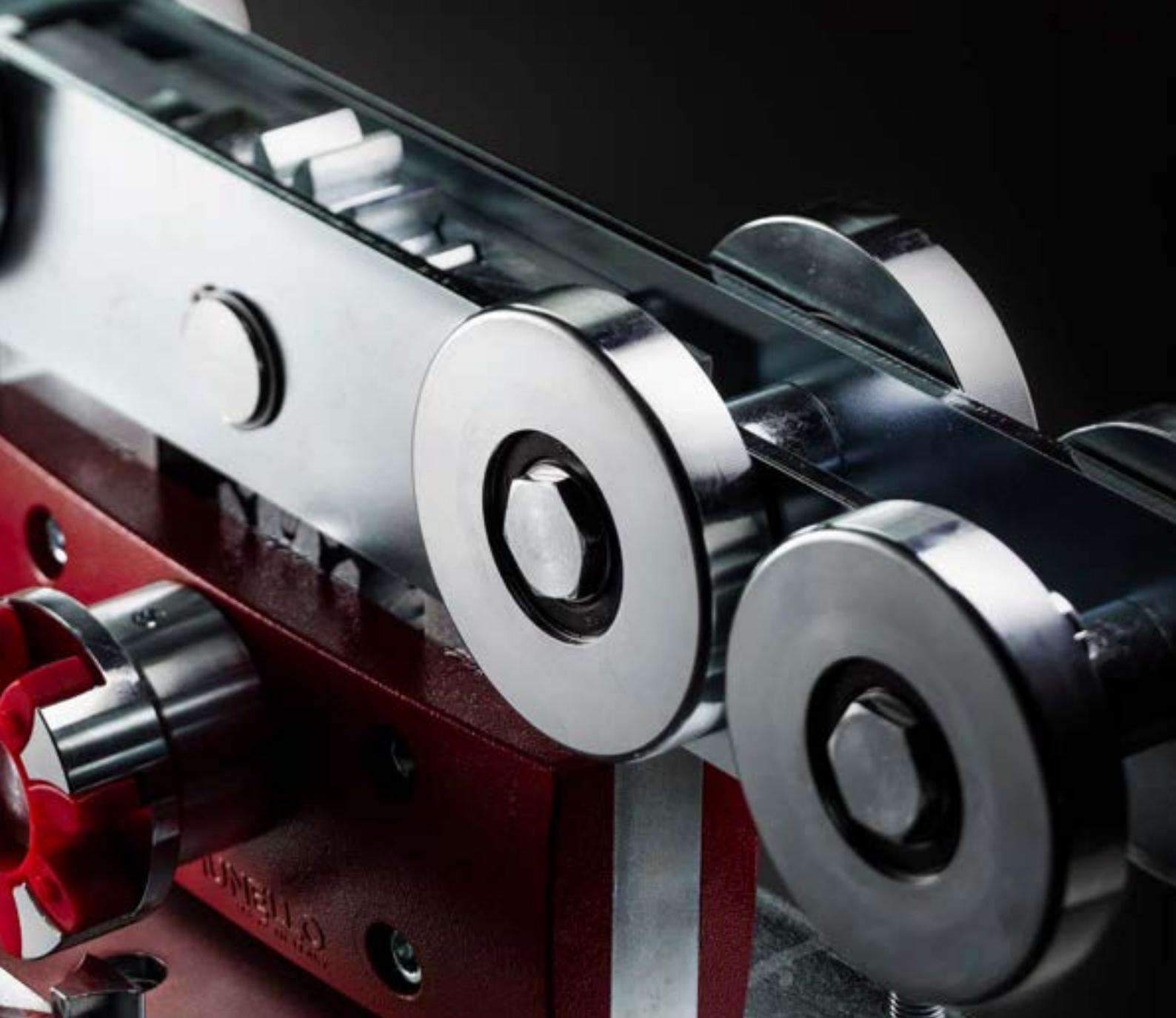


Code	Art.	Size	Finishing	Pcs/pack	Kg/pack
15800505	879-06		Brass	100	1.10
15800510	879-08		Brass	100	1.20
15800515	879-10		Brass	100	1.70
15800520	879-12		Brass	100	1.90
15800525	879-14		Brass	100	2.50
15800530	879-16		Brass	50	1.50
15800535	879-18		Brass	50	1.20
15800540	879-20		Brass	50	1.30
15800545	879-22		Brass	50	1.50





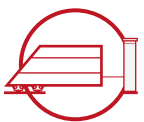
Life
made
easy



PATENT
PENDING

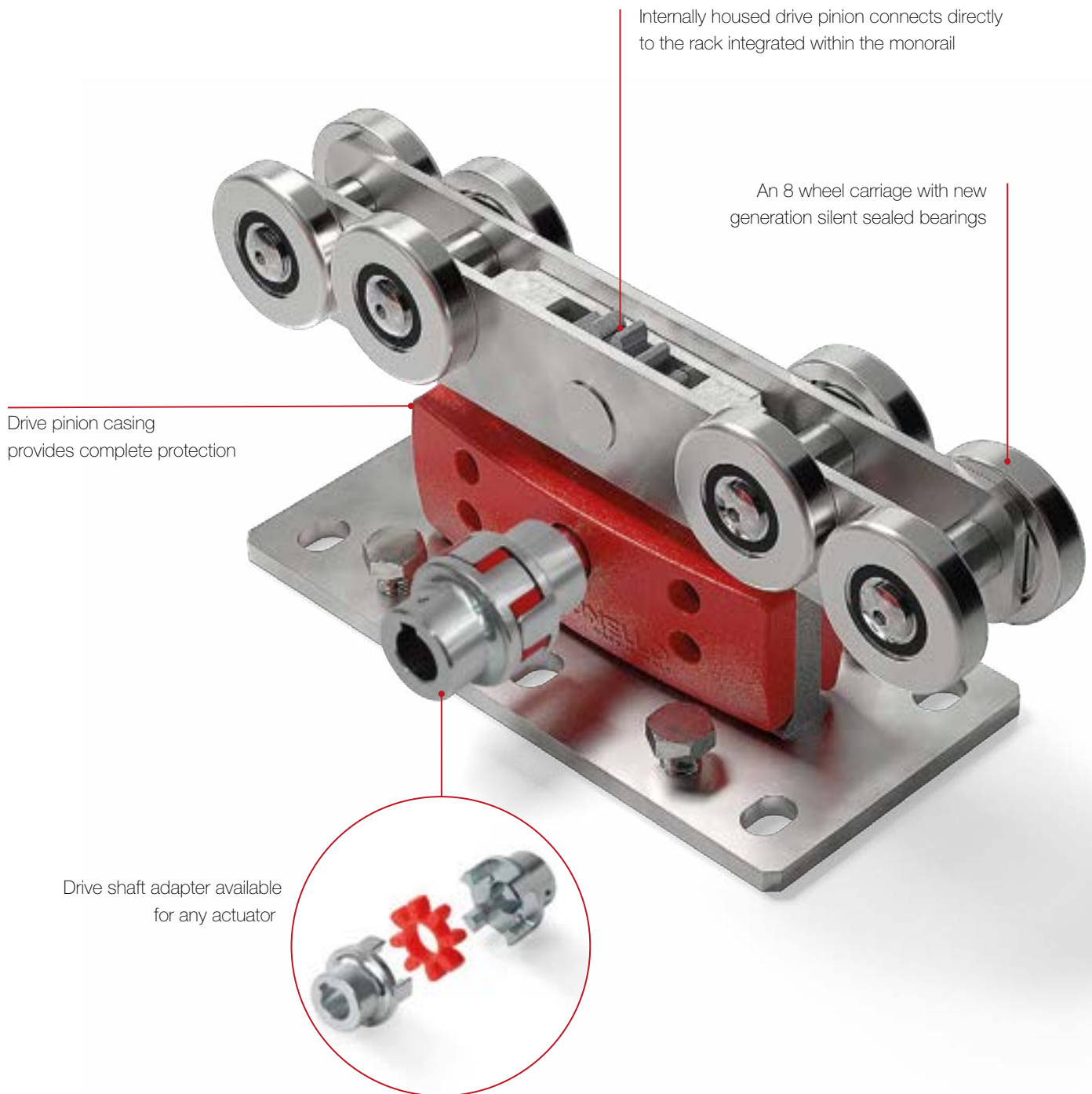
Integrator

The all new cantilever system with
integrated transmission gears and
protected internal rack.



 **COMUNELLO****GATE**

CGS-500.8P



FEATURES

- Noiseless bearings of new generation shielded to protect against dust suitable for temperatures from -30° C to + 80° C
- Self-balancing
- 8 support wheels for each carriage
- Longitudinal alignment on 16 wheels
- Central rotation stiffened pin

Mini



Monorail **CGS-345M**
+ Integrator pre-drilled rack **CG-50M**



For cantilever gates up to
7 m / 500 kg
INTEGRATOR MINI
CGS-500.8M
ACTUATORS **FORT**
400 24V - 500 230V



Piccolo



Monorail **CGS-345P**
+ Integrator pre-drilled rack **CG-50P**



For cantilever gates up to
8 m / 800 kg
INTEGRATOR PICCOLO
CGS-500.8P
ACTUATORS **FORT**
600/800/1000 24V
800/1000/1500 230V



Grande



Monorail **CGS-345G**
+ Integrator pre-drilled rack **CG-50G**



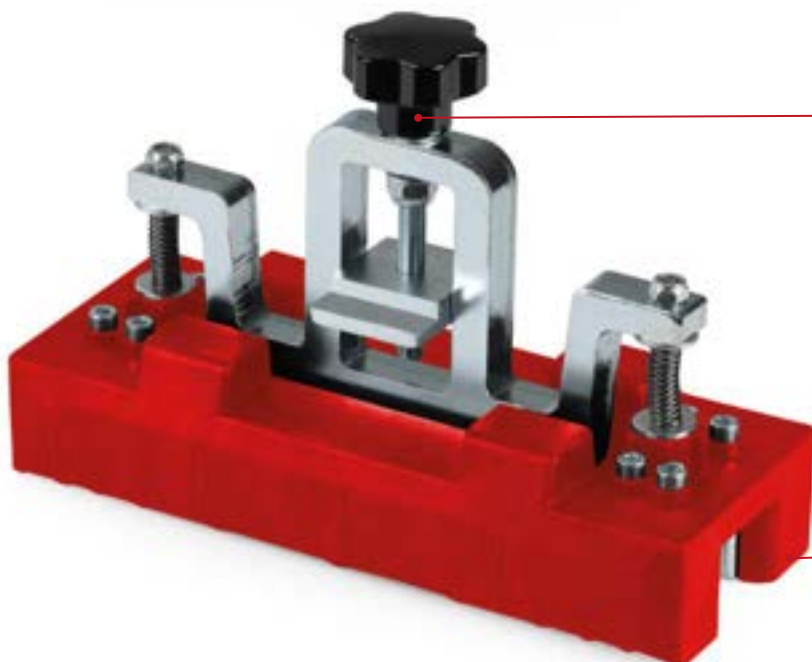
For cantilever gates up to
16 m / 1200 kg
INTEGRATOR GRANDE
CGS-500.8G
ACTUATORS **FORT**
2500 230V - 3500 380V



The Integrator rack centering device

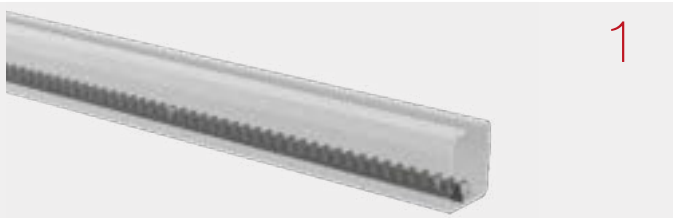


The Integrator centering guide quickly and simply centres the rack along its length by sliding in position inside the monorail. The central slot in the guide base holds the rack and the screw adjustment blocks everything in position so that the pre-drilled holes on the rack can be used as a guide for drilling into the monorail. When a second piece of rack is required just position the guide between the two pieces and tighten the blocking screw, this will perfectly align the teeth between the two racks.



Tightening knob that applies clamping pressure to block the rack in position.

Centering guide with rack centering channel.



1

Position the first piece of track inside the monorail.

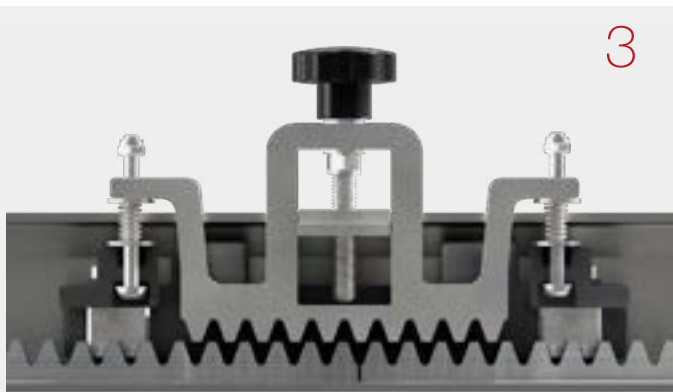
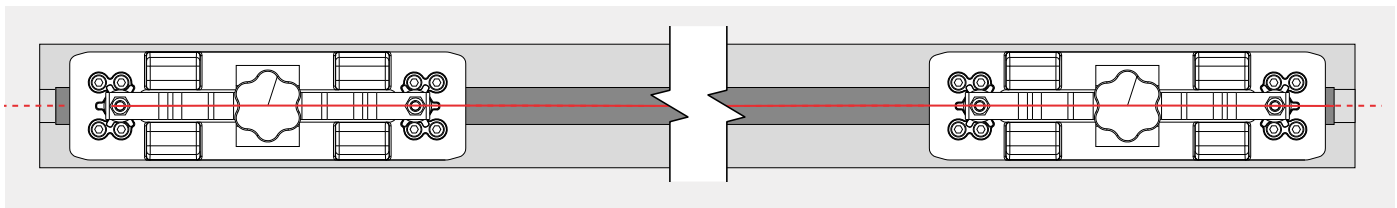


The 2 template guides, one positioned at each end of the track, will centre the track lengthways within the monorail.



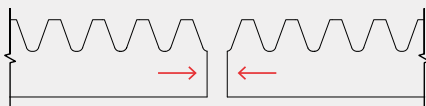
2

Using the pre-drilled rack as a guide drill fixing holes in the monorail. Fix the rack to the monorail.



3

Insert the second piece of rack



4

Position the template guide between the two pieces of rack and by tightening the template guide the rack teeth are registered correctly. Using the pre-drilled rack as a guide drill fixing holes in the monorail.



Watch the video for more information

NEW

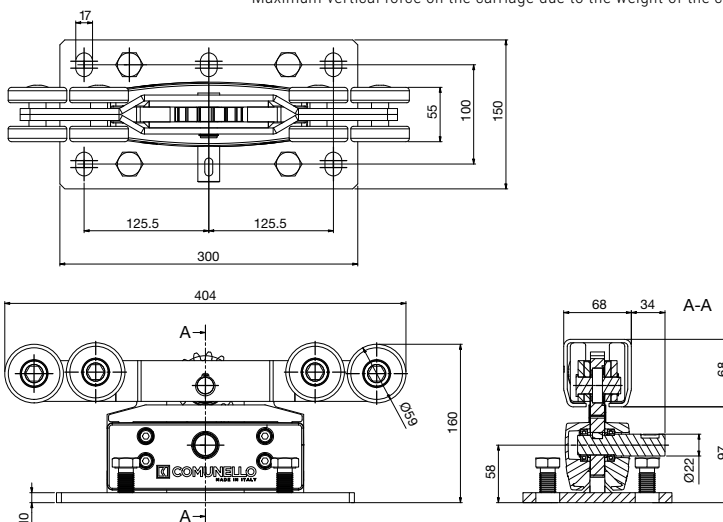
CGS-500.8 M

Integrator kit, Mini version - Master & Slave
 Kit système Integrator, version Mini - Master & Slave
 Kit Integrator, Mini Ausführung - Master & Slave
 Kit sistema Integrator, versión Mini - Master & Slave
 Комплект Integrator, версия Mini - Master & Slave



Code	Art.	Size	Finishing	Capacity Kg	Pcs/pack	Kg/pack
10131500 001	CGS-500.8 M	Mini	Galvanized	1200 *	1	21,50

Maximum vertical force on the carriage due to the weight of the cantilevered gate



NEW

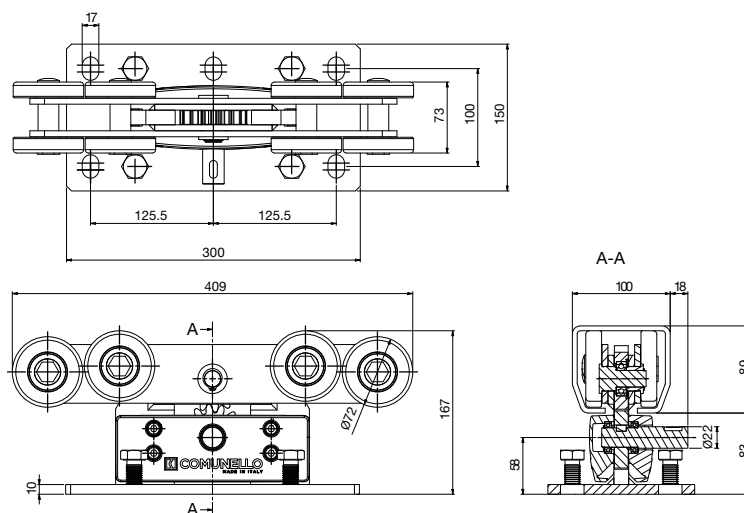
CGS-500.8 P

Integrator kit, Piccolo version - Master & Slave
 Kit système Integrator, version Piccolo - Master & Slave
 Kit Integrator, Piccolo Ausführung - Master & Slave
 Kit sistema Integrator, versión pequeña - Master & Slave
 Комплект Integrator, версия Piccolo - Master & Slave



Code	Art.	Size	Finishing	Capacity Kg	Pcs/pack	Kg/pack
10131501 001	CGS-500.8 P	Piccolo	Galvanized	2000 *	1	26,50

Maximum vertical force on the carriage due to the weight of the cantilevered gate



NEW

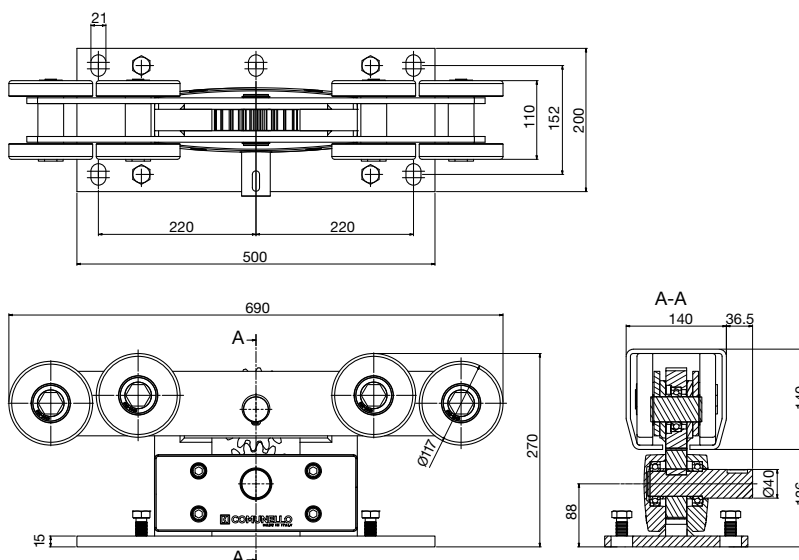
CGS-500.8 G

Integrator kit, Grande version - Master & Slave
 Kit système Integrator, version Grande - Master & Slave
 Kit Integrator, Grande Ausführung - Master & Slave
 Kit sistema Integrator, versión Grande - Master & Slave
 Комплект Integrator, версия Grande - Master & Slave



Code	Art.	Size	Finishing	Capacity Kg	Pcs/pack	Kg/pack
10131502 001	CGS-500.8 G	Grande	Galvanized	4000 *	1	97,00

Maximum vertical force on the carriage due to the weight of the cantilevered gate



Code	Art.	Size	Finishing	Pcs/pack	Kg/pack
10131600 001	CG-58	Mini - Piccolo	Galvanized	1	0,40

COMUNELLO AUTOMATION

To automate the Mini and Piccolo Integrator system with Comunello actuators (Fort 400/500/600/800/1000/1500) see item "Electromechanical limit switch" AC-206 in the Comunello Automation division. On demand available adapters for any brand of actuator.



NEW
CG-58

Automation adapter for Integrator kit, Mini and Piccolo version / Ranger
Adaptateur d'automatisation pour kit de Integrator, version Mini et Piccolo / Ranger
Automatisierung Adapter für Integrator Kits, Mini und Piccolo Ausführung / Ranger
Adaptador de automatización para kit de integrador, versión Mini y pequeña / Ranger
Автоматический адаптер для комплектов Integrator, версии Mini и Piccolo / Ranger

Code	Art.	Size	Finishing	Pcs/pack	Kg/pack
10131601 001	CG-58 G	Grande	Galvanized	1	2,70

COMUNELLO AUTOMATION

To automate the Grande Integrator system with Comunello actuators (Fort 2500/3500) see item "Electromechanical limit switch" AC-207 in the Comunello Automation division. On demand available adapters for any brand of actuator.



NEW
CG-58G

Automation adapter for Integrator kit, Grande version
Adaptateur d'automatisation pour kit de Integrator, version Grande / Ranger
Automatisierung Adapter für Integrator Kits, Grande Ausführung / Ranger
Adaptador de automatización para kit de integrador, versión Grande / Ranger
Автоматический адаптер для комплектов Integrator, версия Grande / Ranger

Code	Art.	Size	Finishing	Pcs/pack	Kg/pack
11400410 001	CG-50 M	Mini	Galvanized	1	2,00



NEW
CG-50 M

Rack kit M4 - 15 x 15 x 1500 with fixing screws
Kit de crémaillère M4 15 x 15 x 1500 avec vis de fixation
Zahnstange Kit M4 15 x 15 x 1500 mit Befestigungsschrauben
Kit cremallera M4 15 x 15 x 1500 con tornillos de fijación
Комплект зубчатой рейки M4 15 x 15 x 1500 с крепежными винтами

Code	Art.	Size	Finishing	Pcs/pack	Kg/pack
11400411 001	CG-50 P	Piccolo	Galvanized	1	4,60



NEW
CG-50 P

Rack kit M4 22 x 22 x 1500 with fixing screws
Kit de crémaillère M4 22 x 22 x 1500 avec vis de fixation
Zahnstange Kit M4 22 x 22 x 1500 mit Befestigungsschrauben
Kit cremallera M4 22 x 22 x 1500 con tornillos de fijación
Комплект зубчатой рейки M4 22 x 22 x 1500 с крепежными винтами

Code	Art.	Size	Finishing	Pcs/pack	Kg/pack
11400412 001	CG-50 G	Grande	Galvanized	1	5,60



NEW
CG-50 G

Rack kit M6 - 30 x 30 x 1000 with fixing screws
Kit de crémaillère M6 30 x 30 x 1000 avec vis de fixation
Zahnstange Kit M6 30 x 30 x 1000 mit Befestigungsschrauben
Kit cremallera M6 30 x 30 x 1000 con tornillos de fijación
Комплект зубчатой рейки M6 30 x 30 x 1000 с крепежными винтами

Code	Art.	Size	Finishing	Pcs/pack	Kg/pack
10131103 001	CG-55 M	Mini	Galvanized	1 (pair)	2,20
10131104 001	CG-55 P	Piccolo	Galvanized	1 (pair)	2,70
10131105 001	CG-55 G	Grande	Galvanized	1 (pair)	4,20



NEW
CG-55

Rack centering device Kit for monorail
Kit d'appareil centralisant pour monorail
Zahnstange Befestigung Schablone Kit für Einschienenbahn
Kit de dispositivo de centrado de cremallera para el monoriel
Комплект шаблонов выравнивания рейки для монорельса версии

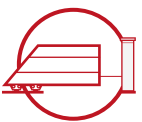


Life
made
easy



PATENT
PENDING

Bullet



Taking cantilever gates to new levels of simplicity,
these innovative mono carriages are the easiest
and fastest to install ever.

 **COMUNELLO****GATE**

The adjustable, precise, rapid installation mono carriage. Configuration made easy.

CGS-600.18

CGA-600.10
ALUMINIUM

5 nylon wheel carriage head with new generation silent sealed bearings

Space between gate and floor reduced to 75 mm for the MINI versions and 85 mm for the SMALL versions

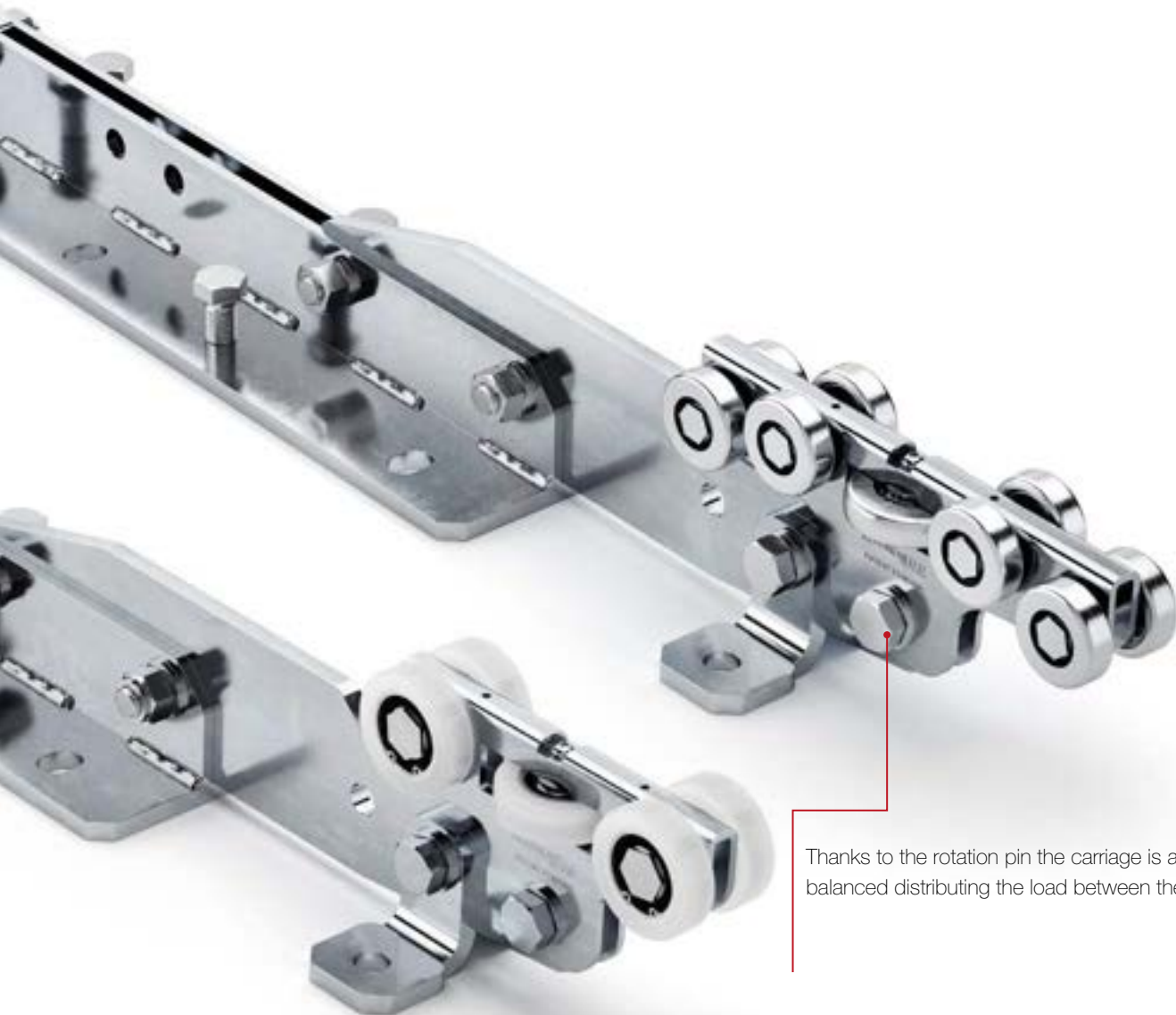


Bullet mono-carriage	H mm
CGS-600.18 M	75
CGS-600.18 P	85
CGA-600.10 M	75
CGA-600.10 P	85

Internationally patented carriage body structure

9 Wheel carriage head with new generation silent sealed bearings

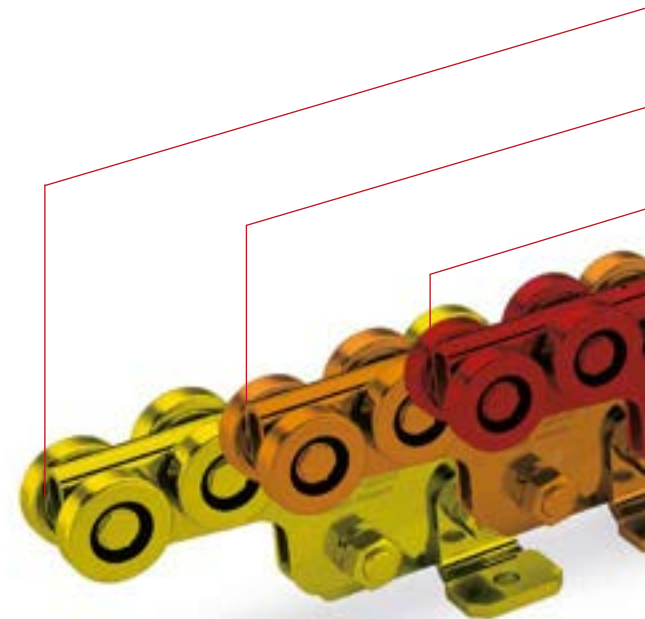
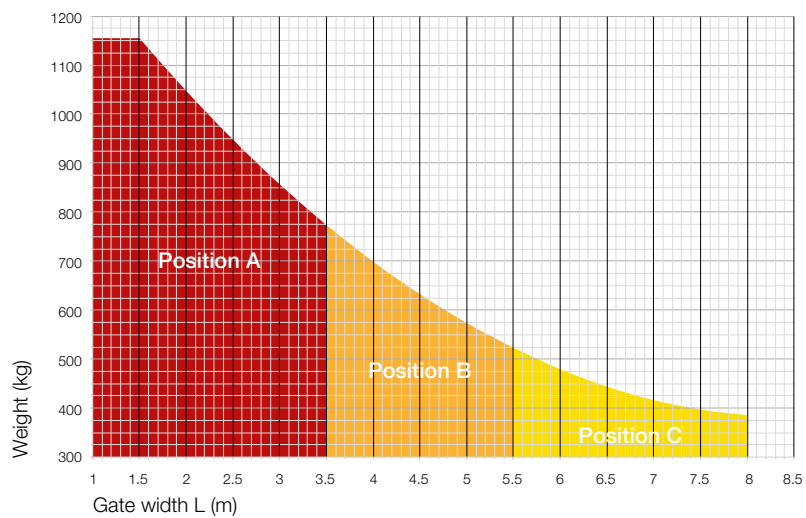
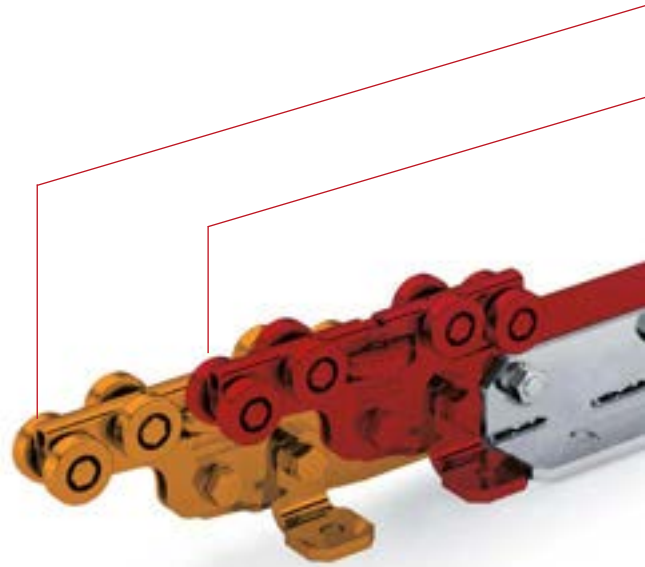
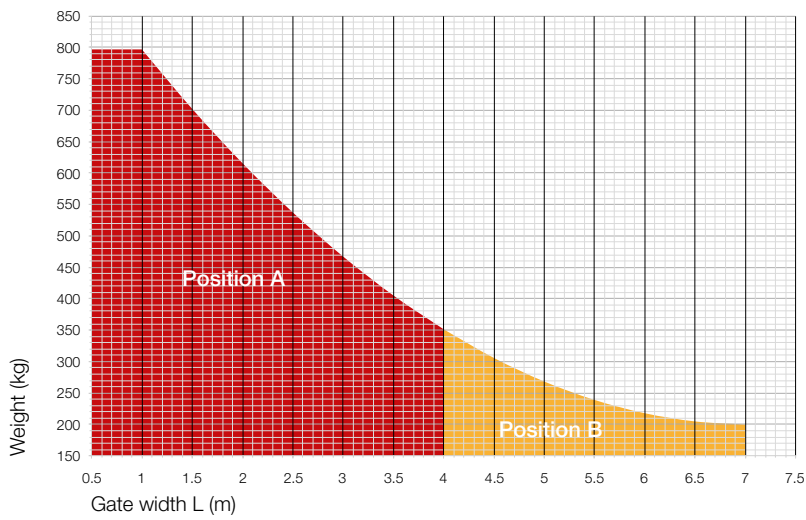
The disalignment between the four center wheels and the four external wheels allows the full load of the gate to be exchanged from the external wheels to the internal wheels when opening and closing

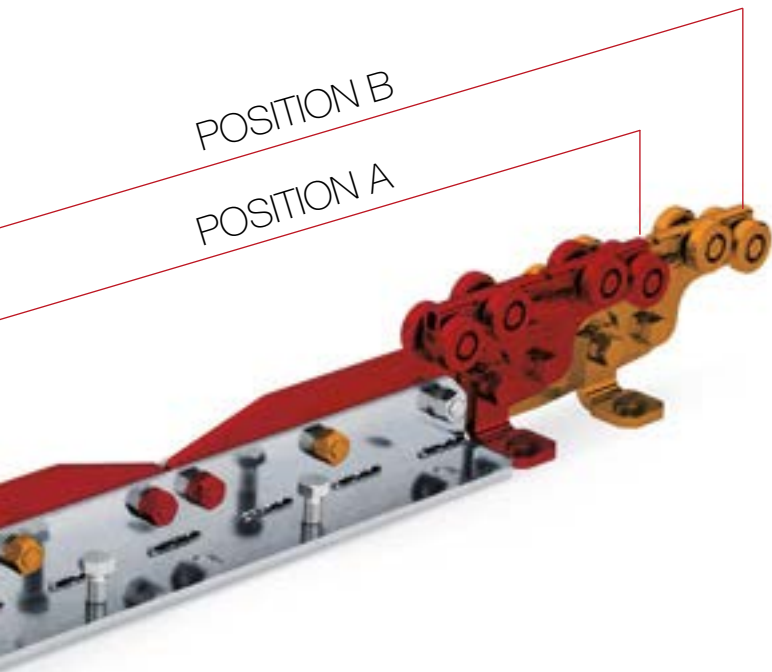


Thanks to the rotation pin the carriage is automatically balanced distributing the load between the wheels

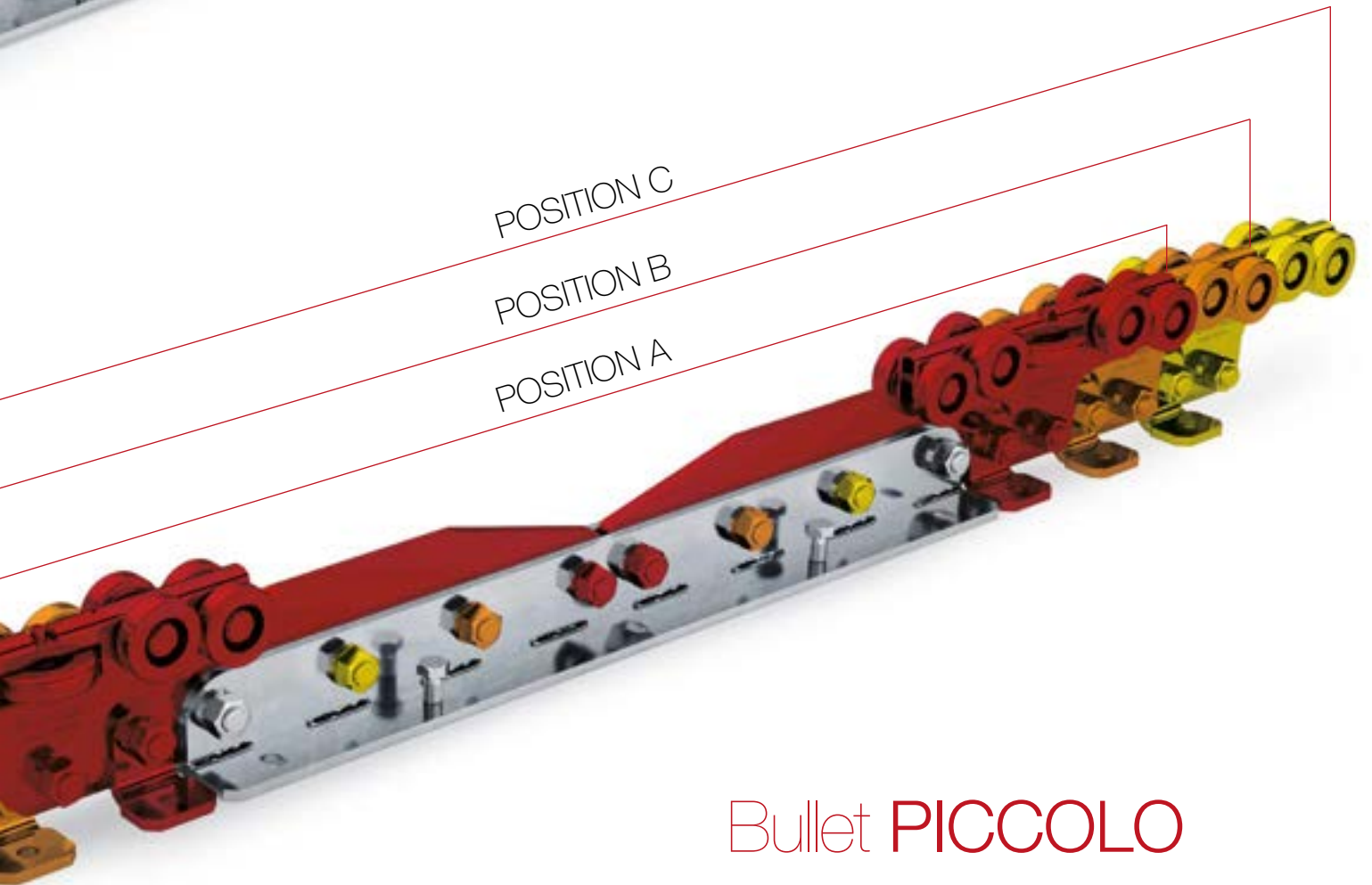
Bullet. Simplified and precise installation

Select the required carriage length and simply position the mono carriage.





Bullet MINI



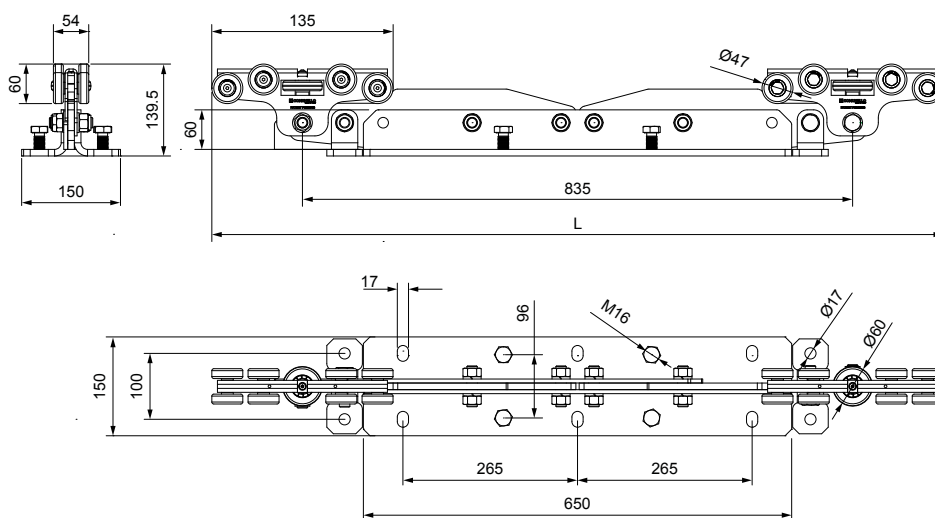
Bullet PICCOLO

Bullet MINI

PATENT PENDING

CGS-600.18 M

Adjustable Mini cantilever carriage with 18 wheels, Bullet system
 Chariot autoportant adjustable Mini avec 18 roues, système Bullet
 Einstellbar Mini Laufwagen mit 18 Rädern, Bullet System
 Carro ajustable autoportante Mini con 18 ruedas, sistema Bullet
 Регулируемая 18-ти колесная тележка Mini, система Bullet

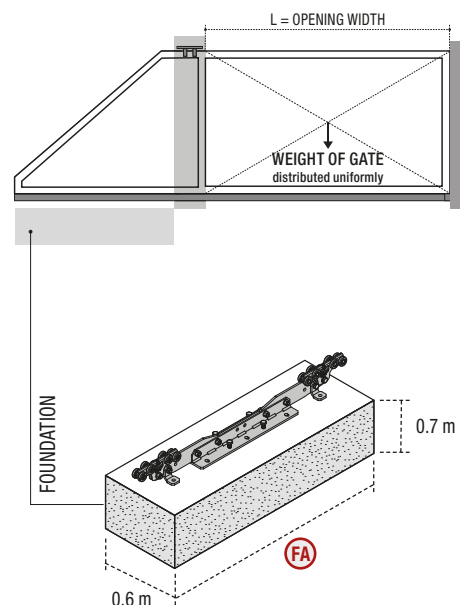


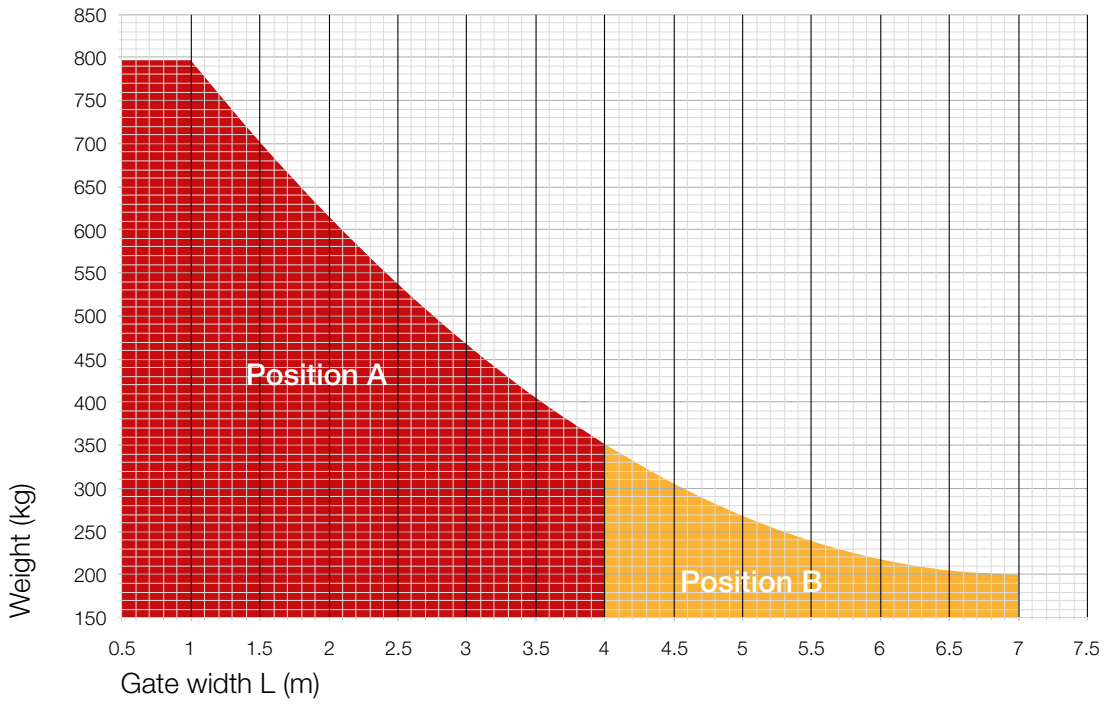
CODE	ART.	Size	L position A	L position B	Box info	
					Pcs per pack	Kg
10130404 001	CGS-600.18 M	Mini	1110	1390	1	29

Minimum dimensions of the reinforced concrete casting

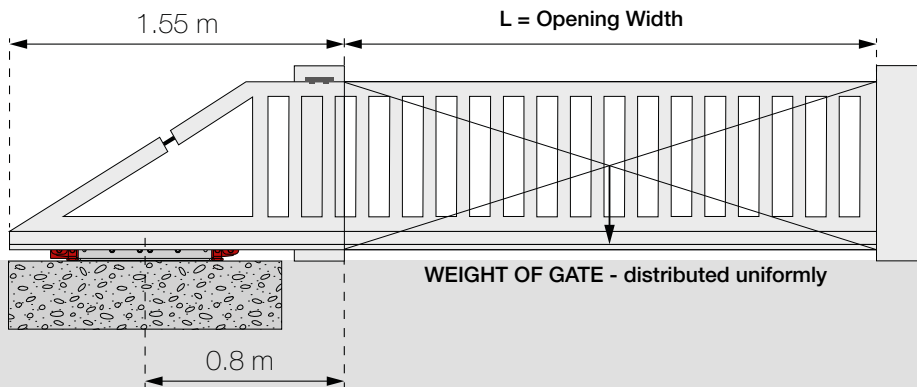
FOUNDATION CALCULATOR

Weight (Kg)	POSITION A			POSITION B		
	L=2 m FA (m)	L=3 m FA (m)	L=4 m FA (m)	L=5 m FA (m)	L=6 m FA (m)	L=7 m FA (m)
100	1.1	1.1	1.1	1.1	1.1	1.2
150	1.1	1.1	1.1	1.2	1.3	1.4
200	1.1	1.1	1.2	1.4	1.5	1.7
250	1.1	1.2	1.4	1.6		
300	1.1	1.3	1.5			
350	1.3	1.5	1.7			
400	1.4	1.7				
450	1.5	1.8				
500	1.7					
550	1.8					
600	2.0					

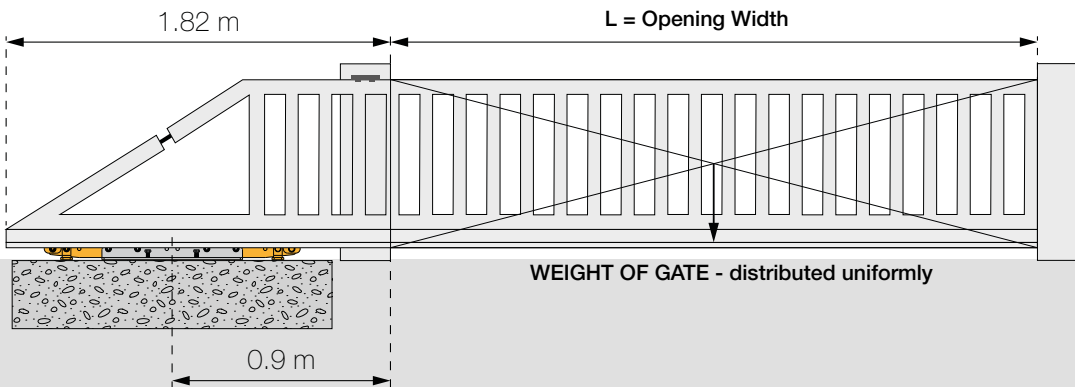




Bullet MINI - Position A



Bullet MINI - Position B



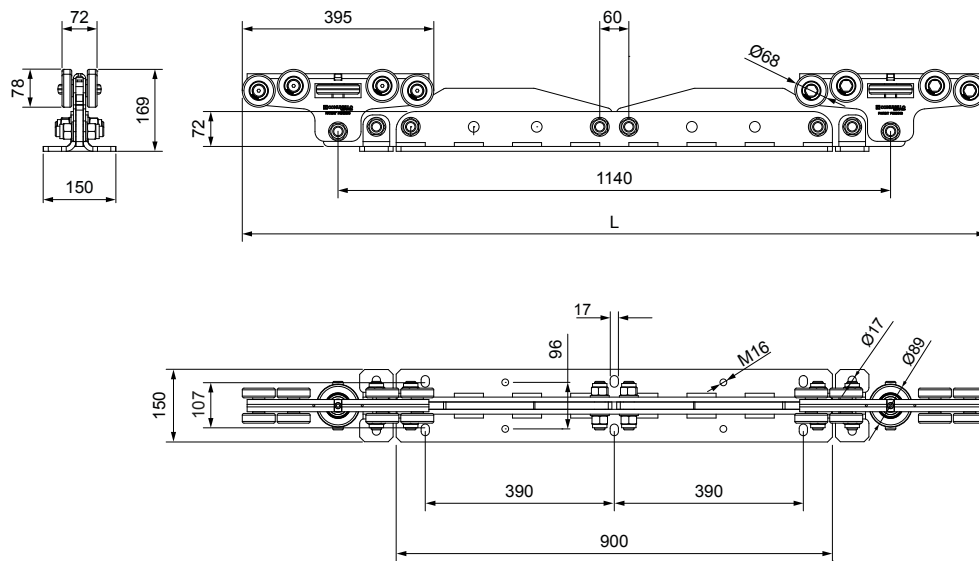
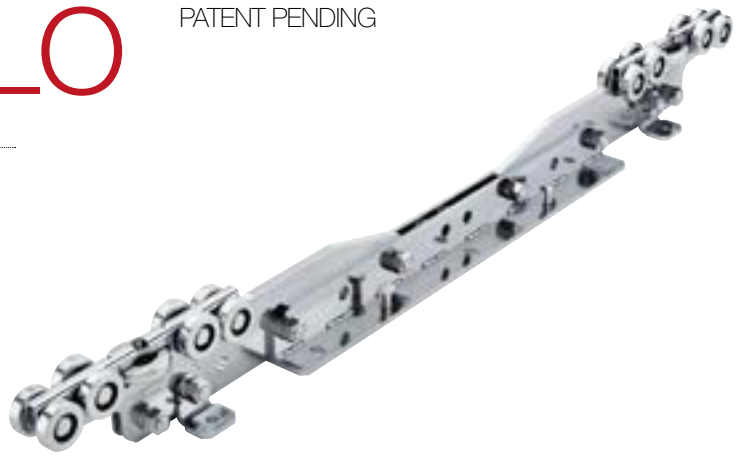
The automation must be installed at the centre of the mono carriage<

Bullet PICCOLO

PATENT PENDING

CGS-600.18 P

Adjustable Piccolo cantilever carriage with 18 wheels, Bullet system
 Chariot autoportant ajustable Piccolo avec 18 roues, système Bullet
 Einstellbar Piccolo Laufwagen mit 18 Rädern, Bullet System
 Carro ajustable autoportante pequeño con 18 ruedas, sistema Bullet, por puertas en aluminio
 Регулируемая 18-ти колесная тележка Piccolo, система Bullet

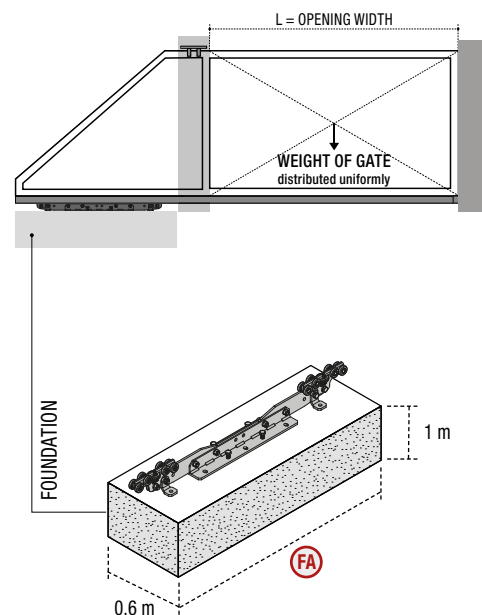


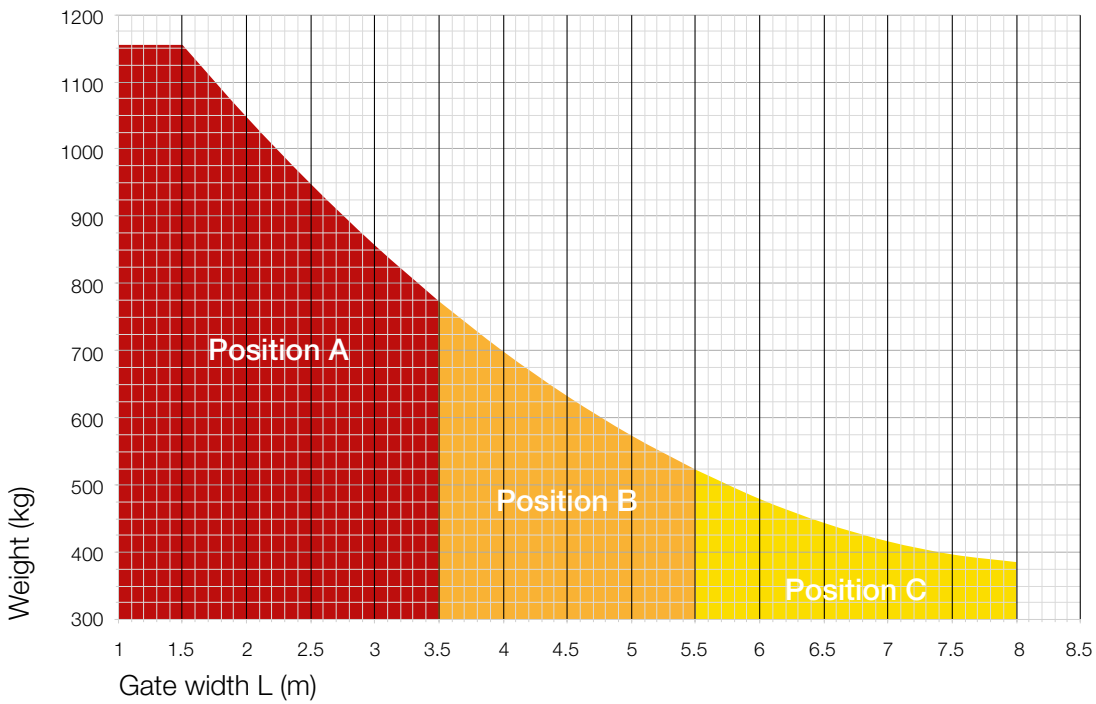
CODE	ART.	Size	L position A	L position B	L position C	Box info	
						Pcs per pack	Kg
10130405 001	CGS-600.18 P	Piccolo	1535	1795	2055	1	54.5

Minimum dimensions of the reinforced concrete casting

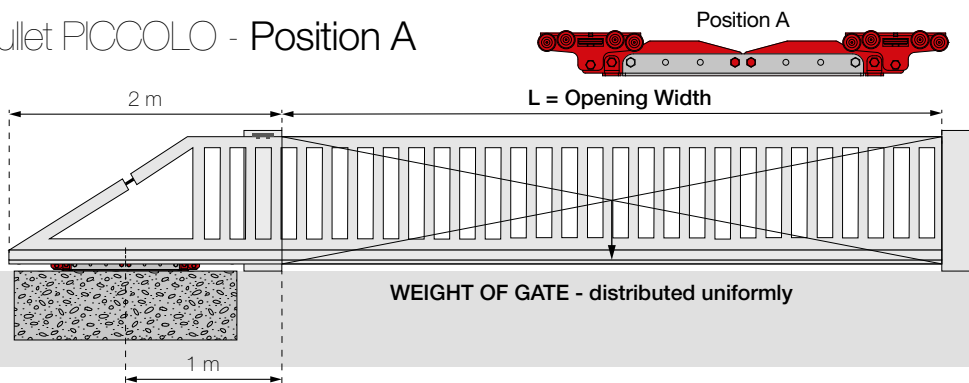
FOUNDATION CALCULATOR

Weight (Kg)	POSITION A		POSITION B			POSITION C		
	L=2 m FA (m)	L=3 m FA (m)	L=4 m FA (m)	L=5 m FA (m)	L=6 m FA (m)	L=7 m FA (m)	L=8 m FA (m)	
100	1.3	1.3	1.3	1.3	1.3	1.3	1.3	
150	1.3	1.3	1.3	1.3	1.3	1.3	1.3	
200	1.3	1.3	1.3	1.3	1.3	1.3	1.5	
250	1.3	1.3	1.3	1.3	1.3	1.5	1.6	
300	1.3	1.3	1.3	1.3	1.5	1.6	1.8	
350	1.3	1.3	1.3	1.4	1.6	1.8	2.0	
400	1.3	1.3	1.4	1.6	1.7	1.9		
450	1.3	1.3	1.5	1.7	1.9			
500	1.3	1.4	1.6	1.8				
550	1.3	1.5	1.7	2.0				
600	1.3	1.6	1.8					
650	1.4	1.7	2.0					
700	1.5	1.8	2.1					
750	1.6	1.9						
800	1.7	2.0						
850	1.8							
900	1.9							
950	2.0							
1000	2.1							
1050	2.3							

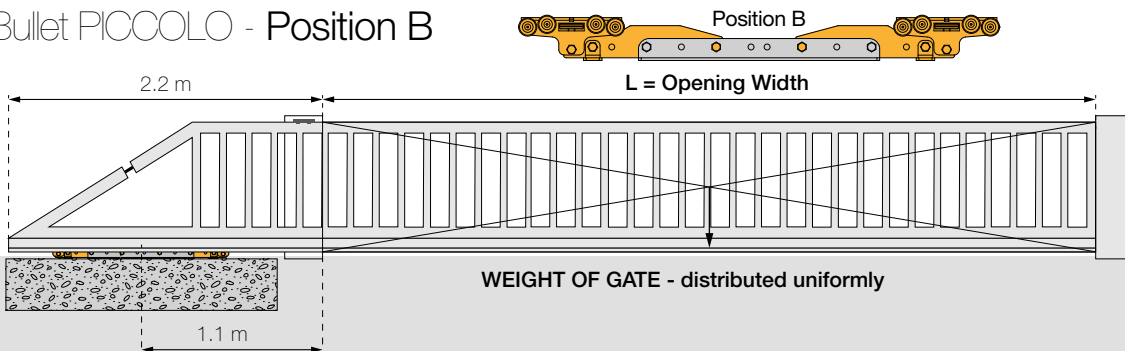




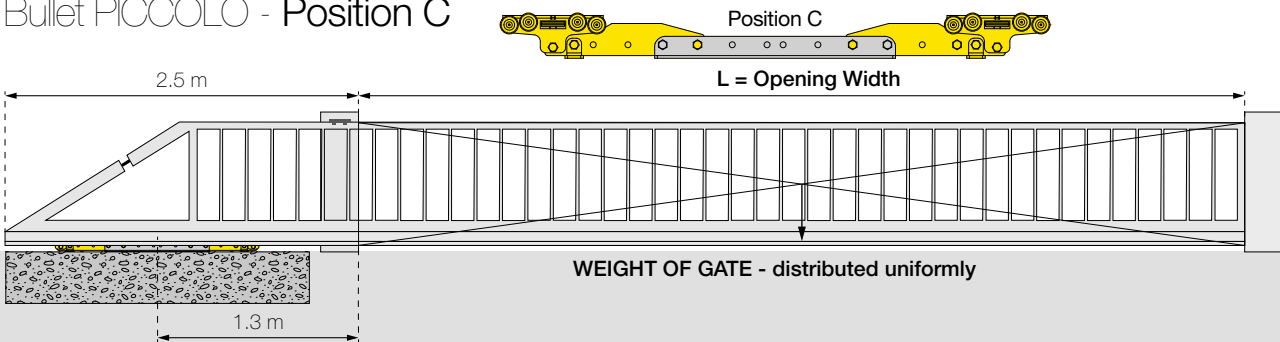
Bullet PICCOLO - Position A



Bullet PICCOLO - Position B



Bullet PICCOLO - Position C



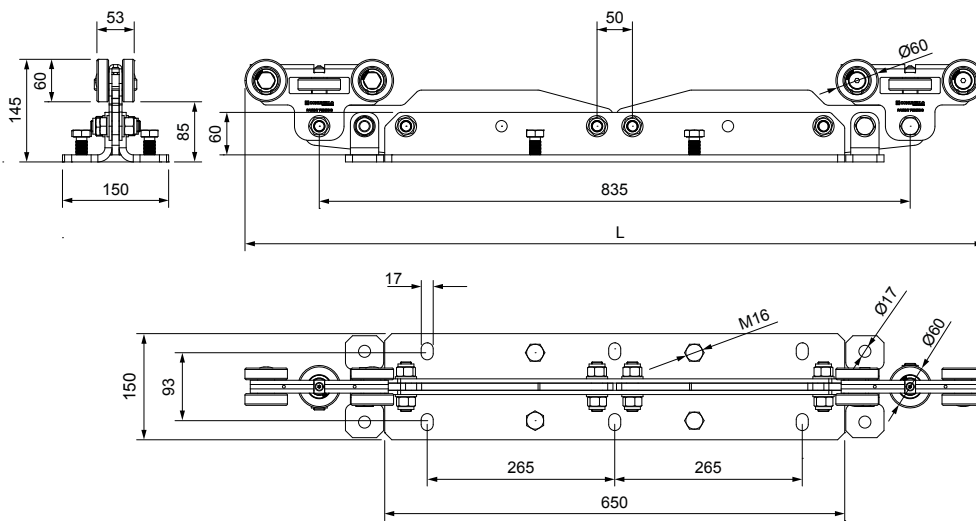
The automation must be installed at the centre of the mono carriage

Bullet MINI Aluminium

PATENT PENDING

CGA-600.10 M

Adjustable Mini cantilever carriage with 10 wheels, Bullet system, for aluminium gate
 Chariot autoportant ajustable Mini avec 10 roues, système Bullet, pour portail en aluminium
 Einstellbar Mini Laufwagen mit 10 Rädern, Bullet System für die Aluminium Serie
 Carro ajustable autoportante Mini con 10 ruedas, sistema Bullet, por puertas en aluminio
 Регулируемая тележка Bullet Mini с 10 колесами для люминиевой серии

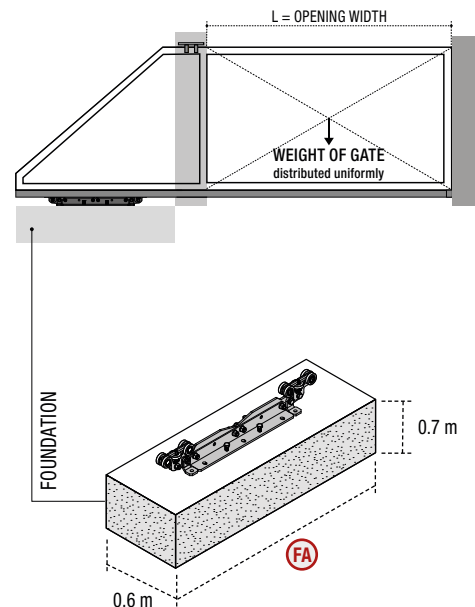


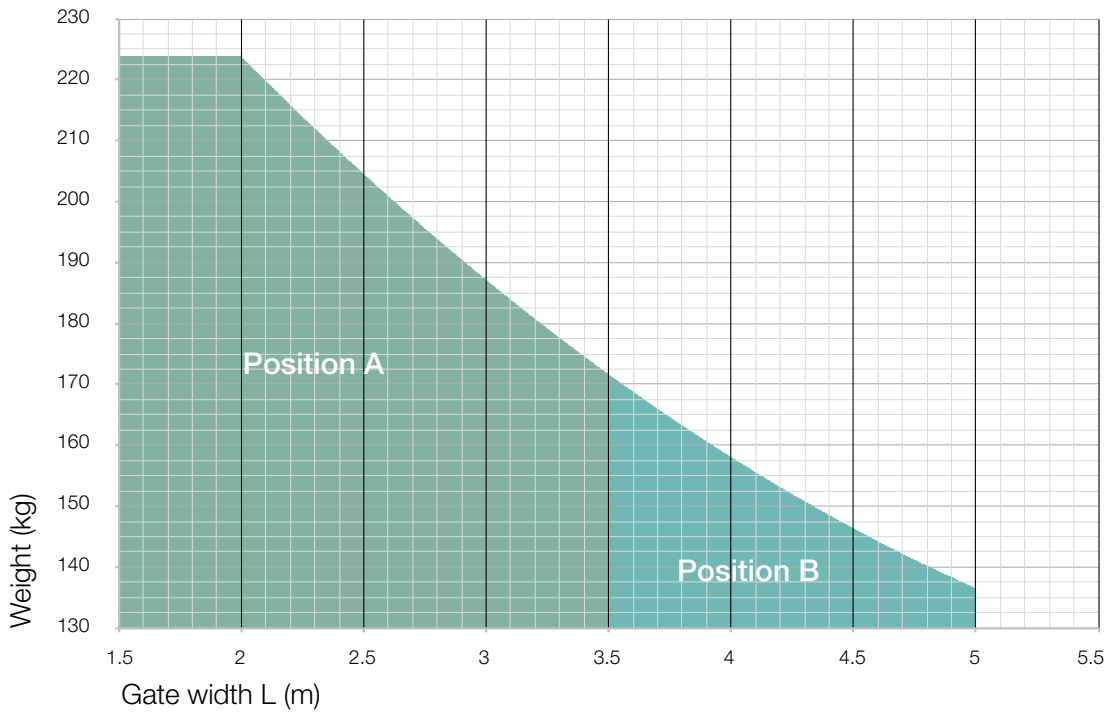
CODE	ART.	Size	L position A	L position B	Box info	
					Pcs per pack	Kg
10130406 001	CGA-600.10 M	Mini	1045	1315	1	27

Minimum dimensions of the reinforced concrete casting

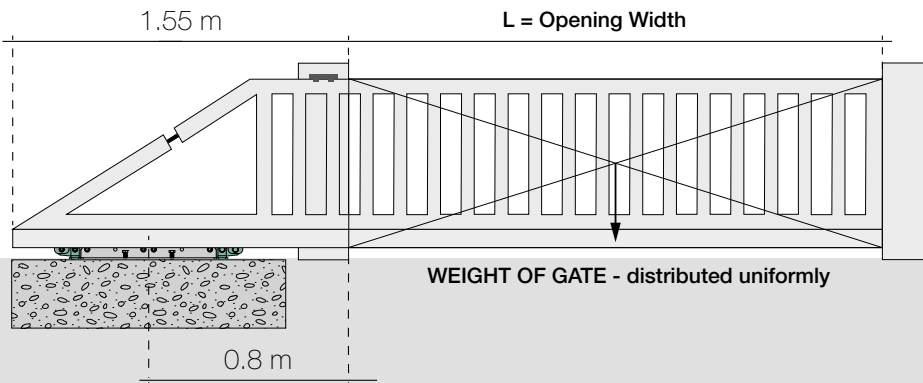
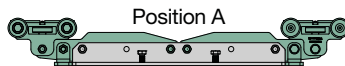
FOUNDATION CALCULATOR

	POSITION A				POSITION B		
	L=2 m	L=2.5 m	L=3 m	L=3.5 m	L=4 m	L=4.5 m	L=5 m
Weight (Kg)	FA (m)	FA (m)	FA (m)	FA (m)	FA (m)	FA (m)	FA (m)
100	1.1	1.1	1.1	1.1	1.1	1.1	1.1
125	1.1	1.1	1.1	1.1	1.1	1.2	1.2
150	1.1	1.1	1.1	1.1	1.1	1.2	
175	1.1	1.1	1.1	1.2			
200	1.1	1.1					
225	1.1						

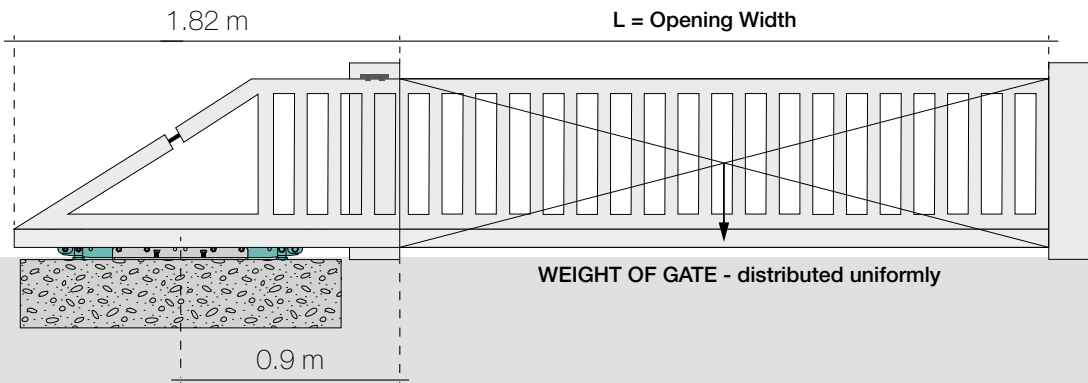




Bullet MINI - Position A



Bullet MINI - Position B



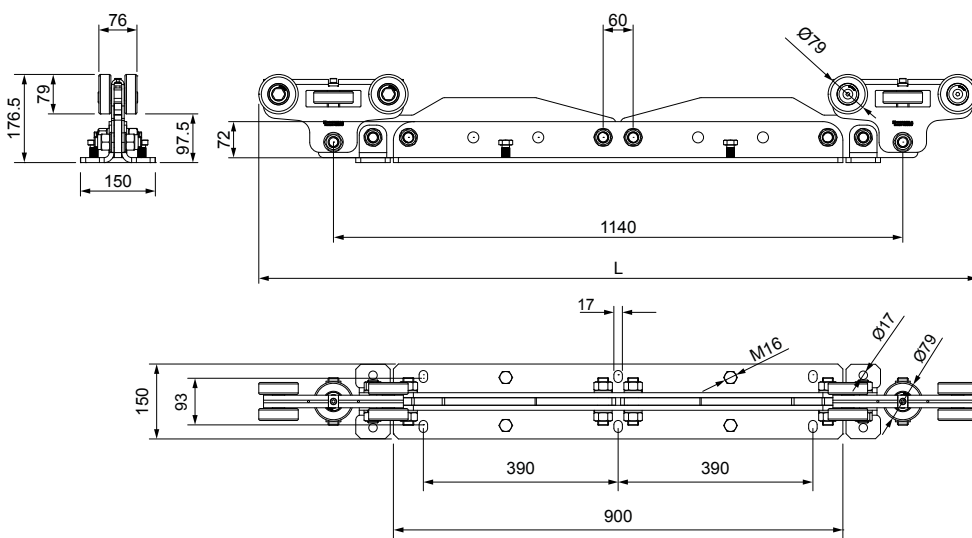
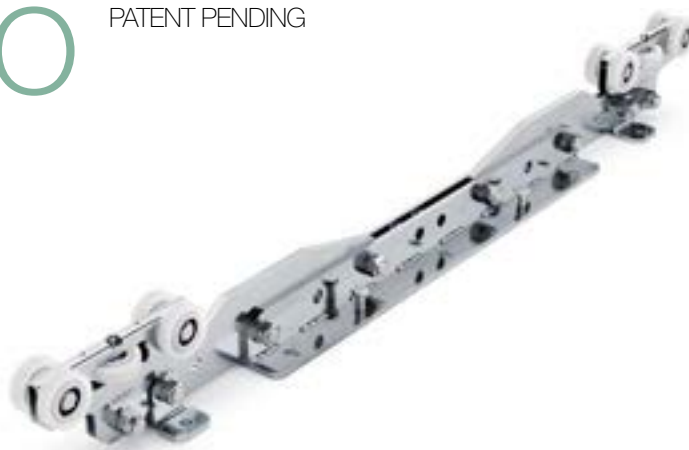
The automation must be installed at the centre of the mono carriage

Bullet PICCOLO Aluminium

PATENT PENDING

CGA-600.10 P

Adjustable Piccolo cantilever carriage with 10 wheels, Bullet system, for aluminium gate
 Chariot autoportant ajustable Piccolo avec 10 roues, système Bullet, pour portail en aluminium
 Einstellbar Piccolo Laufwagen mit 10 Rädern, Bullet System für die Aluminium Serie
 Carro ajustable autoportante pequeño con 10 ruedas, sistema Bullet, por puertas en aluminio
 Регулируемая тележка Bullet Piccolo с 10 колесами для люминиевой серии

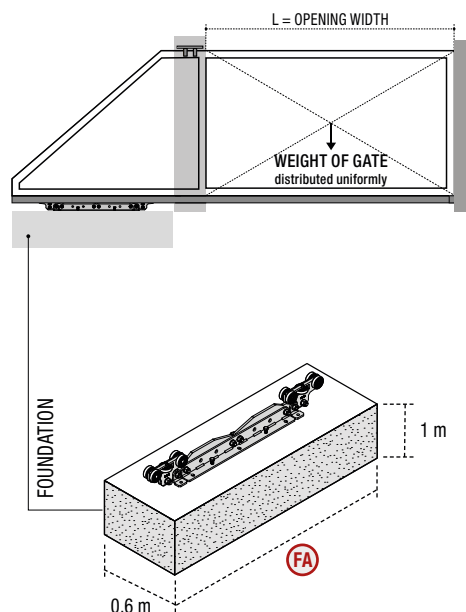


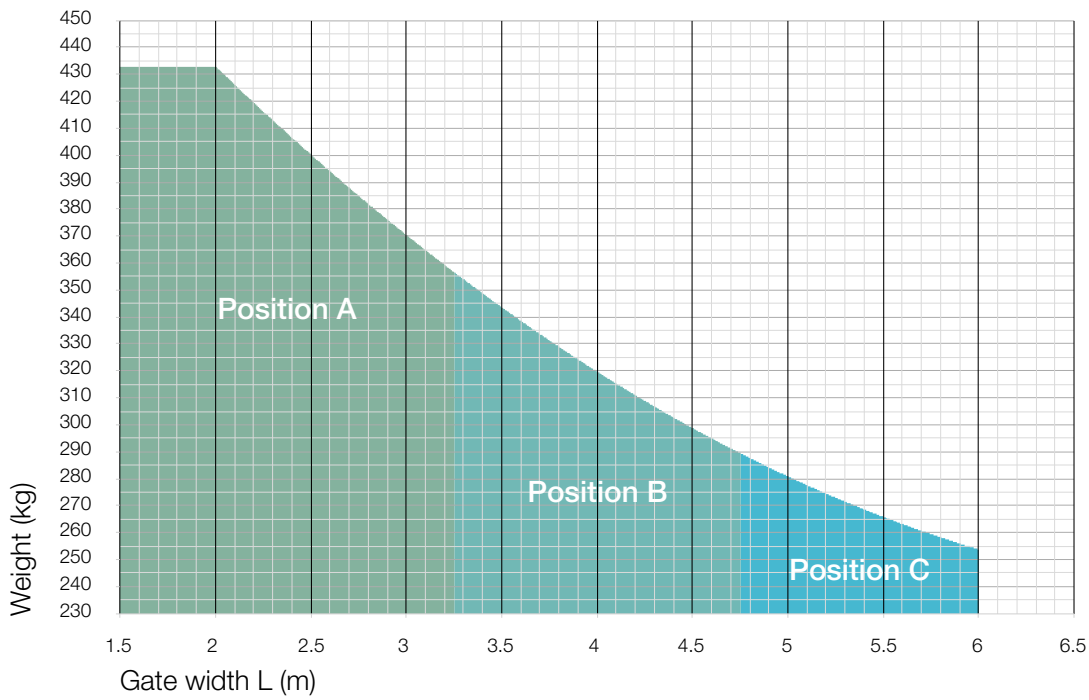
CODE	ART.	Size	L position A	L position B	L position C	Box info	
10130407 001	CGA-600.10 P	Piccolo	1439	1699	1959	Pcs per pack	Kg
						1	49

Minimum dimensions of the reinforced concrete casting

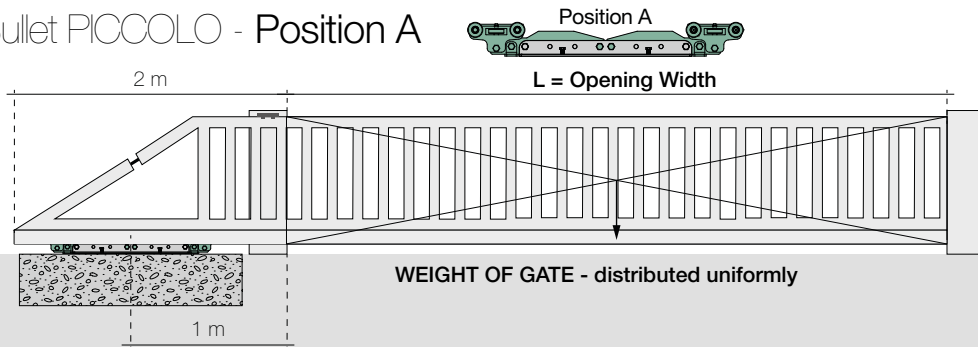
FOUNDATION CALCULATOR

	POSITION A			POSITION B			POSITION C		
	L=2 m	L=2.5 m	L=3 m	L=3.5 m	L=4 m	L=4.5 m	L=5 m	L=5.5 m	L=6 m
Weight (Kg)	FA (m)	FA (m)	FA (m)	FA (m)	FA (m)	FA (m)	FA (m)	FA (m)	FA (m)
100	1.3	1.3	1.3	1.3	1.3	1.3	1.3	1.3	1.3
125	1.3	1.3	1.3	1.3	1.3	1.3	1.3	1.3	1.3
150	1.3	1.3	1.3	1.3	1.3	1.3	1.3	1.3	1.3
175	1.3	1.3	1.3	1.3	1.3	1.3	1.3	1.3	1.3
200	1.3	1.3	1.3	1.3	1.3	1.3	1.3	1.3	1.3
225	1.3	1.3	1.3	1.3	1.3	1.3	1.3	1.3	1.3
250	1.3	1.3	1.3	1.3	1.3	1.3	1.3	1.3	1.3
275	1.3	1.3	1.3	1.3	1.3	1.3	1.3	1.3	1.3
300	1.3	1.3	1.3	1.3	1.3				
325	1.3	1.3	1.3	1.3					
350	1.3	1.3	1.3						
375	1.3	1.3							
400	1.3	1.3							
425	1.3								

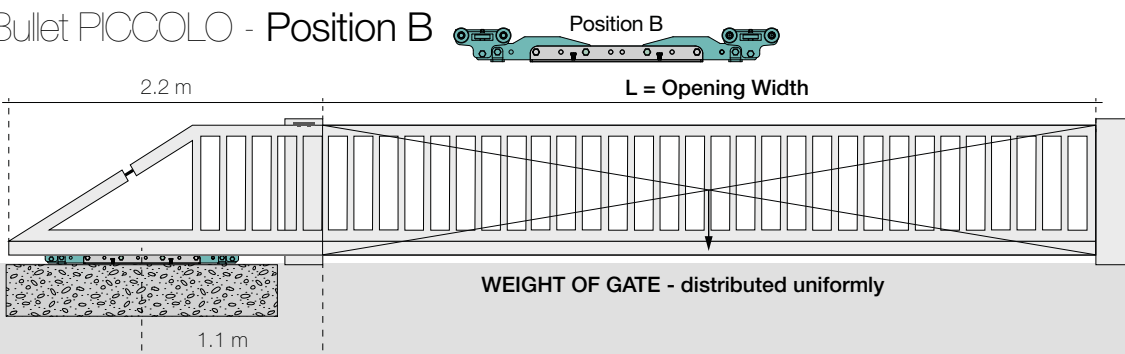




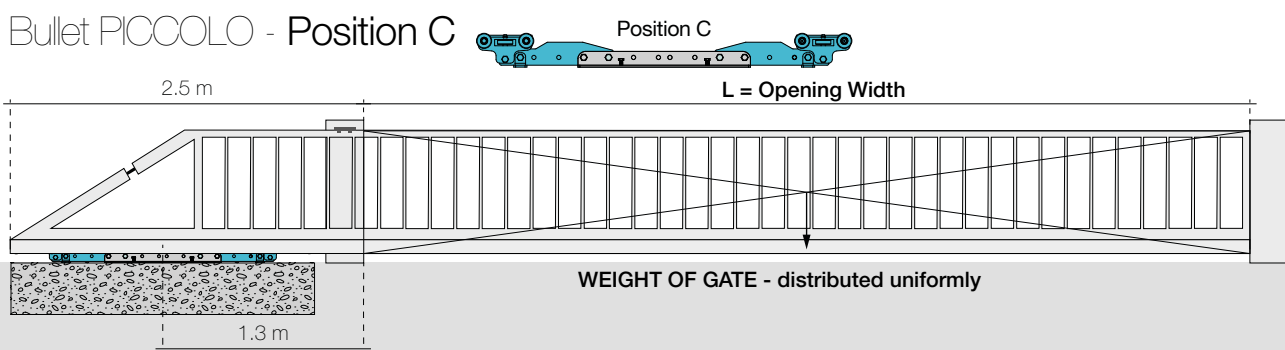
Bullet PICCOLO - Position A



Bullet PICCOLO - Position B



Bullet PICCOLO - Position C



The automation must be installed at the centre of the mono carriage

NEW

CGS-600.18

Adjustable cantilever carriage with 16 wheels, Bullet system
 Chariot autoportant ajustable avec 16 roues, système Bullet
 Einstellbar Laufwagen mit 16 Rädern, Bullet System
 Carro ajustable autoportante con 16 ruedas, sistema Bullet
 Регулируемая 16-ти колесная тележка, система Bullet

Code	Art.	Size	Finishing	Pcs/pack	Kg/pack
10130404 001	CGS-600.18 M	Mini	Galvanized	1	29,00
10130405 001	CGS-600.18 P	Piccolo	Galvanized	1	54,50

PATENT PENDING

Since the capacity is influenced by weight and length, to know the capacities of different carrages, refer to the [technical sheets](#)



Bullet MINI



Bullet PICCOLO

NEW

CGA-600.10

Adjustable cantilever carriage with 10 wheels, Bullet system, for aluminium gate
 Chariot autoportant ajustable avec 10 roues, système Bullet, pour portail en aluminium
 Einstellbar Laufwagen mit 10 Rädern, Bullet System für die Aluminium Serie
 Carro ajustable autoportante con 10 ruedas, sistema Bullet, por puertas en aluminio
 Регулируемая тележка Bullet с 10 колесами для алюминиевой серии

Code	Art.	Size	Finishing	Pcs/pack	Kg/pack
10130406 001	CGA-600.10 M	Mini	Galvanized	1	27,00
10130407 001	CGA-600.10 P	Piccolo	Galvanized	1	49,00

PATENT PENDING

Since the capacity is influenced by weight and length, to know the capacities of different carrages, refer to the [technical sheets](#)



Bullet MINI Aluminium



Bullet PICCOLO Aluminium



Code	Art.	Size	Finishing	Pcs/pack	Kg/pack
10131015 001	CG-06 M	Mini	Galvanized	1	3,80
10131020 001	CG-06 P	Piccolo	Galvanized	1	5,20



NEW
CG-06

Fixing plate for carriage, Bullet system
 Plaque de fixation pour chariot, système Bullet
 Klemmplatte für Laufwagen, Bullet System
 Placa de fijación a cementar para carro, sistema Bullet
 Контрплита для тележек, система Bullet

Code	Art.	Size	Finishing	Pcs/pack	Kg/pack
10130515 001	CG-65	L=380 M16	Galvanized	6	0,75



NEW
CG-65

Threaded tie rods for Mini and Piccolo carriages, Bullet system
 Tirants filetés pour chariots Mini et Piccolo, système Bullet
 Gewindestange für Mini und Piccolo Laufwagen, Bullet System
 Anclajes roscados por carros Mini y Piccolo, sistema Bullet
 Резьбовое анкерное крепление для тележек Mini и Piccolo, система Bullet

Compatible Accessories

Support for rack



ART.
264
266

Tracks



ART.
CGS-345M
CGS-345P
CGA-345M
CGA-345P

Racks



ART.
260-22x22
262-30x12
261-26x20

End cup



ART.
CG-25M
CG-25P
CG-30M
CG-30P
CG-35P

Bottom end cup



ART.
CGS-346M
CGS-346P

Guide plates



ART.
CG-251
252-200
232-30
232-40

Tension bar



ART.
CG-40

Wall bracket



ART.
CG-15M
CG-15P

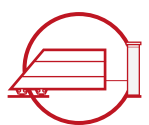
End stopper for monorail



ART.	ART.
CGS-347M	CG-20P
CGS-347P	CGA-20M
CGA-347M	CGA-20P
CGA-347P	CG-21M
CG-20M	CG-21P



Life
made
easy



Cantilever Gates Hardware

 **COMUNELLO****GATE**

New series of 9-wheel trolleys for cantilever gates.
4.000 kg capacity, for openings up to **16 meters**



CGS-WB-350.9

FEATURES

- Monoblock steel body that ensure strenght to the structure
- Noiseless shielded bearings of new generation to protect against dust. Suitable for temperatures from -30 ° C to + 80 ° C
- Wheels positioned on 2 different levels in order to load the wheels alternately
- Alignment central wheel
- Thanks to central rotation pivot the carriages are self-balancing
- Adjustment screws for planarity
- Sturdy base with adjustment slots: the positioning adjustment is allowed even after installation



New carriage for heavy cantilever gates.
20.000 KG capacity, for openings up to **30 meters**



CGS-450.9-20K

FEATURES

- 35 mm thick monoblock steel body
- High capacity shielded bearing to ensure high load performance
- All components are made of high quality steel
- Alignment central wheel to ensure stability during movement
- Adjustment screws for planarity
- Very strong base with adjustable slots

MONOBLOC
BODY

CANTILEVER GATE SYSTEM

Wheels

150 SERIES



Kit for cantilever residential gates up to 6 meters and 600kg. Available in the "MINI" versions for gates up to 3m / 300k and "PICCOLO" for gates up to 6m / 600kg.

CGS-150.5



CGA-150.5 Aluminium



250 SERIES



Carriages with multiplate body for residential and industrial cantilever gates. 5-wheel and 8 wheels versions available in the "MINI", "PICCOLO", "GRANDE" sizes.

CGS-250.5



CGS-250.8



350/450 SERIES



Top series of Comunello with monobloc body for residential and industrial self-supporting gates. 5, 8 and 9 wheels versions available in the "MINI", "PICCOLO", "GRANDE" and "XL" sizes.

CGS-350.5



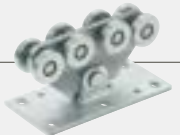
CGA-350.5 Aluminium



CGi-350.5 S. Steel



CGS-350.8



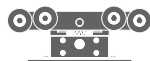
CGS-350.9



CGS-450.9



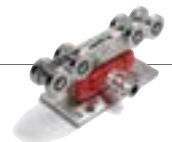
500 SERIES



Integrator

New cantilever system with integrated transmission gears and protected internal rack. Totally compatible with Comunello cantilever systems.

CGS-500.8



600 SERIES



Bullet

New revolutionary mono carriage cantilever system that simplifies both the configuration and installation.

CGS-600.18



CGA-600.10 Aluminium



Residential

Industrial

KIT CGS-150-300K

KIT CGS-150-600K

KIT CGA-150-300K

KIT CGA-150-600K

188

CGS - 250.5 M

CGS - 250.5 P

CGS - 250.5 G

CGS - 250.8 M

CGS - 250.8 P

CGS - 250.8 G

CGS - 350.5 M

CGS - 350.5 P

CGS - 350.5 G

CGS - 350.5XL

CGA - 350.5 M

CGA - 350.5 P

CGi - 350.5 P

CGS - 350.8 M

CGS - 350.8 P

CGS - 350.8 G

CGS-WB-350.9P

CGS-WB-350.9G

190

191

CGS-450.9-20K

192

CGS - 500.8 M

CGS - 500.8 P

CGS - 500.8 G

158

CGS - 600.18 M

CGS - 600.18 P

CGA - 600.10 M

CGA - 600.10 P

166

150 SERIES



KIT CANTILEVER UP TO 300 KG



KIT CGA-150-300K

PATENTED

Kit per cancelli autoportanti fino a 3m e 300Kg di peso
 Kit for cantilever gates, weight up to 3 m and 300 kg
 Kit pour portails autoportants jusqu'à 3m et 300 kilos de poids
 Kit für selbsttragende Tore mit Gewicht bis 3m und 300 kg
 Kit para puertas autoportantes de hasta 3 m y 300 kg de peso
 Комплект для самонесущих ворот до 3 м и 300 кг веса

Code	Art.	Size	Finishing	Capacity Kg	Pcs/pack	Kg/pack
19912494	KIT CGA 150-300K 3M	Mini	Galvanized	700 *	1	8.50

CGA 150.5M	CGS 347M	CGA 346M	CGA 20M
2 mini	1	1	1

KIT CGS-150-300K

PATENTED

Kit per cancelli autoportanti fino a 3m e 300Kg di peso
 Kit for cantilever gates, weight up to 3 m and 300 kg
 Kit pour portails autoportants jusqu'à 3m et 300 kilos de poids
 Kit für selbsttragende Tore mit Gewicht bis 3m und 300 kg
 Kit para puertas autoportantes de hasta 3 m y 300 kg de peso
 Комплект для самонесущих ворот до 3 м и 300 кг веса

Code	Art.	Size	Finishing	Capacity Kg	Pcs/pack	Kg/pack
19912326	KIT CGS 150-300K BASIC 3M	Mini	Galvanized	700 *	1	47.30
19912333	KIT CGS 150-300K BASIC 6M	Mini	Galvanized	700 *	1	46.80
19912330	KIT CGS 150-300K TOP 3M	Mini	Galvanized	700 *	1	48.30
19912331	KIT CGS 150-300K TOP 6M	Mini	Galvanized	700 *	1	48.30

CGS 150.5M	CGS 347M	CGS 346M	230	255	CGS 245M
KIT 150-300K TOP 6M	2 mini	1	1	1 (220 / Ø30)	1 (6 m)
KIT 150-300K TOP 3M	2 mini	1	1	1 (220 / Ø30)	2 (3 m)
KIT 150-300K BASIC 6M	2 mini	1	1	4 x Ø30	1 (6 m)
KIT 150-300K BASIC 3M	2 mini	1	1	4 x Ø30	2 (3 m)

Maximum vertical force on the carriage due to the weight of the cantilevered gate

150 SERIES



KIT CANTILEVER UP TO 600 KG



Code	Art.	Size	Finishing	Capacity Kg	Pcs/pack	Kg/pack
19912495	KIT CGA 150-600K 6M	Piccolo	Galvanized	1300 *	1	16.20

CGA 150.5P	CGS 347P	CGS 346P	CGA 20P
2 piccolo	1	1	1

KIT CGA-150-600K

PATENTED

Kit per cancelli autoportanti fino a 6m e 600Kg di peso
 Kit for cantilever gates, weight up to 6m and 600 kg
 Kit pour portails autoportants jusqu'à 6m et 600 kilos de poids
 Kit für selbsttragende Tore mit Gewicht bis 6m und 600 kg
 Kit para puertas autoportantes de hasta 6 m y 600 kg de peso
 Комплект для самонесущих ворот до 6 м и 600 кг веса

Code	Art.	Size	Finishing	Capacity Kg	Pcs/pack	Kg/pack
19912324	KIT CGS 150-600K BASIC 3M	Piccolo	Galvanized	1300 *	1	127.74
19912334	KIT CGS 150-600K BASIC 6M	Piccolo	Galvanized	1300 *	1	163.17
19912325	KIT CGS 150-600K TOP 3M	Piccolo	Galvanized	1300 *	1	132.44
19912332	KIT CGS 150-600K TOP 6M	Piccolo	Galvanized	1300 *	1	168.00

KIT CGS-150-600K

PATENTED

Kit per cancelli autoportanti fino a 6m e 600Kg di peso
 Kit for cantilever gates, weight up to 6m and 600 kg
 Kit pour portails autoportants jusqu'à 6m et 600 kilos de poids
 Kit für selbsttragende Tore mit Gewicht bis 6m und 600 kg
 Kit para puertas autoportantes de hasta 6 m y 600 kg de peso
 Комплект для самонесущих ворот до 6 м и 600 кг веса

CGS 150.5P	CGS 347P	CGS 346P	230	255	CGS 245P
KIT 150-600K TOP 6M	2 piccolo	1	1	1 (350 / Ø40)	2 (6 m)
KIT 150-600K TOP 3M	2 piccolo	1	1	1 (350 / Ø40)	3 (3 m)
KIT 150-600K BASIC 6M	2 piccolo	1	1	4 x Ø40	2 (6 m)
KIT 150-600K BASIC 3M	2 piccolo	1	1	4 x Ø40	3 (3 m)

Maximum vertical force on the carriage due to the weight of the cantilevered gate

On request MINIMUM QUANTITY

MADE IN ITALY **COMUNELLO.COM**

189

250 SERIES**CGS-250.5**
PATENTED

5 wheels cantilever carriage for gates
 Chariot autoportant 5 roues pour portails
 5-rädriger Laufwagen für freitragende Tore
 Carro autoportante 5 ruedas para puertas correderas
 Самонесущая тележка 5 колес для откидных ворот



Code	Art.	Size	Finishing	Capacity Kg	Pcs/pack	Kg/pack
10130030 001	CGS-250.5M	Mini	Galvanized	450 *	1	4.95
10130031 001	CGS-250.5P	Piccolo	Galvanized	750 *	1	10.55
10130032 001	CGS-250.5G	Grande	Galvanized	1400 *	1	26.55

CGS-250.8

8 wheels cantilever carriage for gates
 Chariot autoportant 8 roues pour portails
 8-rädriger Laufwagen für freitragende Tore
 Carro autoportante 8 ruedas para puertas correderas
 Самонесущая тележка 8 колес для откидных ворот



Code	Art.	Size	Finishing	Capacity Kg	Pcs/pack	Kg/pack
10130003 001	CGS-250.8M	Mini	Galvanized	950 *	1	5.04
10130007 001	CGS-250.8P	Piccolo	Galvanized	1550 *	1	11.80
10130012 001	CGS-250.8G	Grande	Galvanized	2500 *	1	40.00

350 SERIES**CGS-350.5**

5 wheels cantilever carriage for gates
 Chariot autoportant 5 roues pour portails
 5-rädriger Laufwagen für freitragende Tore
 Carro autoportante 5 ruedas para puertas correderas
 Самонесущая тележка 5 колес для откидных ворот



Code	Art.	Size	Finishing	Capacity Kg	Pcs/pack	Kg/pack
10130001 001	CGS-350.5M	Mini	Galvanized	600 *	1	5.24
10130005 001	CGS-350.5P	Piccolo	Galvanized	1000 *	1	10.95
10130010 001	CGS-350.5G	Grande	Galvanized	2000 *	1	37.00

CGS-350.5XL

5 wheels cantilever carriage for gates
 Chariot autoportant 5 roues pour portails
 5-rädriger Laufwagen für freitragende Tore
 Carro autoportante 5 ruedas para puertas correderas
 Самонесущая тележка 5 колес для откидных ворот



Code	Art.	Size	Finishing	Capacity Kg	Pcs/pack	Kg/pack
10130043 001	CGS-350.5XL	XL	Galvanized	6500 *	1	69.00

CGA-350.5

5 nylon wheels cantilever carriage for gates
 Chariot autoportant 5 roues en nylon pour portails
 Laufwagen mit 5 Nylon-Rollen für freitragende Tore
 Carro autoportante 5 ruedas de nylon para puertas correderas
 Самонесущая тележка 5 нейлоновых колес для откидных ворот



Code	Art.	Size	Finishing	Capacity Kg	Pcs/pack	Kg/pack
10130600 001	CGA-350.5M	Mini	Galvanized, ruote in nylon	600 *	1	4.50
10130605 001	CGA-350.5P	Piccolo	Galvanized, ruote in nylon	1000 *	1	8.30

CGS-350.8

8 wheels cantilever carriage for gates
 Chariot autoportant 8 roues pour portails
 8-rädriger Laufwagen für freitragende Tore
 Carro autoportante 8 ruedas para puertas correderas
 Самонесущая тележка 8 колес для откидных ворот



Code	Art.	Size	Finishing	Capacity Kg	Pcs/pack	Kg/pack
10130002 001	CGS-350.8M	Mini	Galvanized	1200 *	1	6.50
10130006 001	CGS-350.8P	Piccolo	Galvanized	2000 *	1	12.00
10130011 001	CGS-350.8G	Grande	Galvanized	4000 *	1	44.00

Maximum vertical force on the carriage due to the weight of the cantilevered gate

350 SERIES



9 WHEELS

Code	Art.	Size	Finishing	Capacity Kg	Pcs/pack	Kg/pack
10130064 001	CGS-WB-350.9P	Piccolo	Galvanized	2000 *	1,00	13,80
10130065 001	CGS-WB-350.9G	Grande	Galvanized	4000 *	1,00	48,60

NEW

CGS-WB-350.9

PATENTED

9 wheels cantilever carriage for gates
 Chariot autoportant 9 roues pour portails
 9-rädriger Laufwagen für freitragende Tore
 Carro autoportante 9 ruedas para puertas correderas
 Самонесущая тележка 9 колес для откидных ворот

Piccolo



Grande

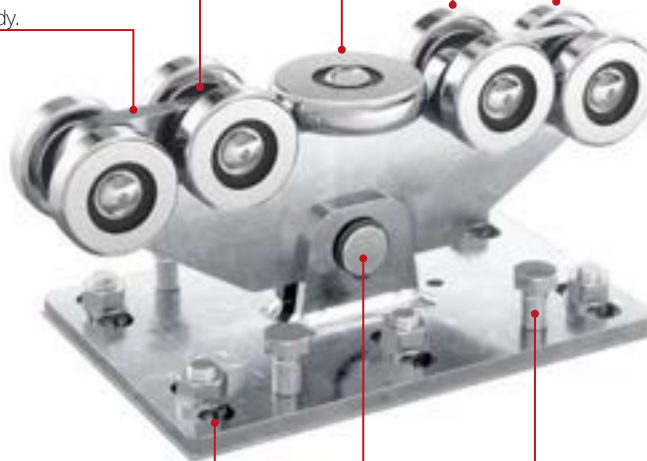


New generation shielded bearings suitable for extreme temperatures from -30 to + 80° c.

Monobloc steel body.

Alignment Central wheel

The positioning of the wheels on 2 different heights allows you to load the wheels alternately.



Adjustment screws for planarity.

The slots allow you to adjust the position of the trolley even after installing the anchors.

The central pin allows the trolley to rotate and adapt to the movement of the gate. the load is always evenly distributed on 4 wheels.

Maximum vertical force on the carriage due to the weight of the cantilevered gate

450 SERIES



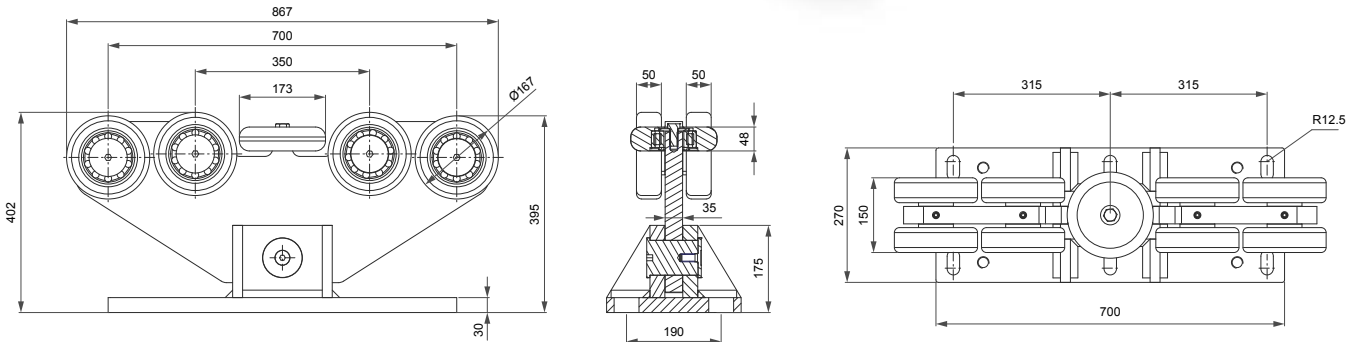
9 WHEELS

NEW

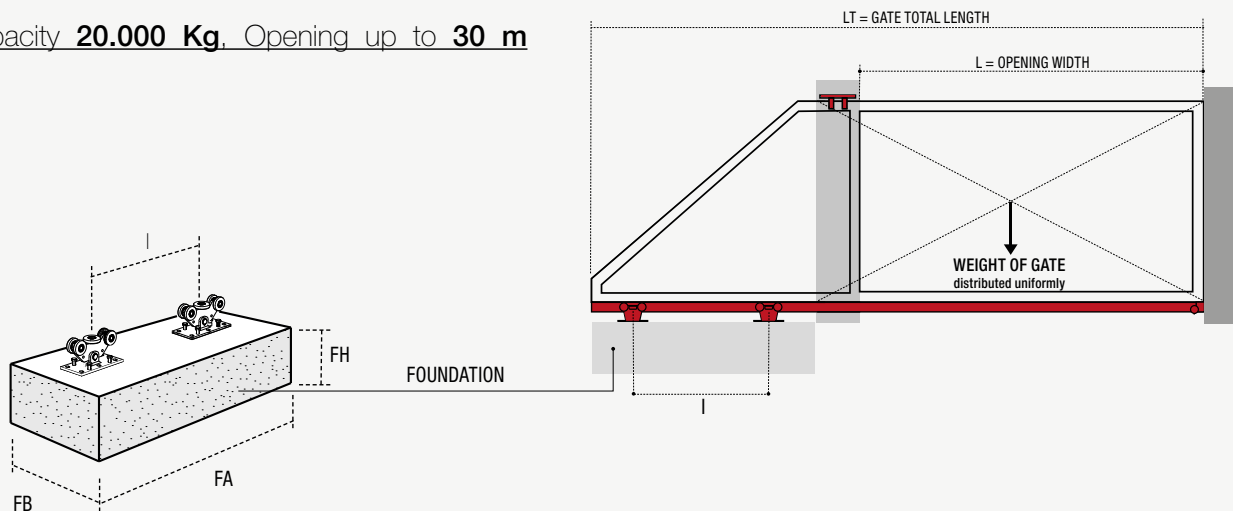
CGS-450.9-20K

Code	Art.	Size	Finishing	Capacity Kg	Pcs/pack	Kg/pack
10130070 001	CGS-450.9-20K	20K	Galvanized	20.000 *	1	198

9 wheels cantilever carriage for heavy gates
 Chariot autoportant 9 roues pour portails lourd
 9-rädriger Laufwagen für Schweres freitragende Tore
 Carro autoportante 9 ruedas para puertas correderas pesadas
 Самонесущая тележка 9 колес для откидных ворот тяжелая



Capacity **20.000 Kg**, Opening up to **30 m**



For the structural calculation of the foundation (FA, FB, FH), the distance between the carriages (l) and the type of anchoring, it is recommended to contact a design studio. The total length of the gate (LT) depends on the calculated distance l.

Maximum vertical force on the carriage due to the weight of the cantilevered gate

Code	Art.	Size	Finishing	Capacity Kg	Pcs/pack	Kg/pack
10207040	CGS-495-20K	20K L=3000	Raw		1	195

NEW
CGS-495-20K



Monorail for cantilever gates
 Rails pour portails autoportants
 Laufprofile für selbsttragende Tore
 Monocarril para puertas autoportantes
 Монорейль для самонесущих ворот

Code	Art.	Size	Finishing	Capacity Kg	Pcs/pack	Kg/pack
10705520 001	CGS-496-20K	20K	Galvanized		1	9,5

NEW
CGS-496-20K



Bottom end cup to be fixed
 Butée inférieure à fixer
 Unterer Auflaufschuh zum
 Aufschrauben
 Encuentro inferior para fijar
 Прикрепляемый нижний упор

Code	Art.	Size	Finishing	Capacity Kg	Pcs/pack	Kg/pack
11705020 001	CGS-497-20K	20K	Galvanized		2	23

NEW
CGS-497-20K



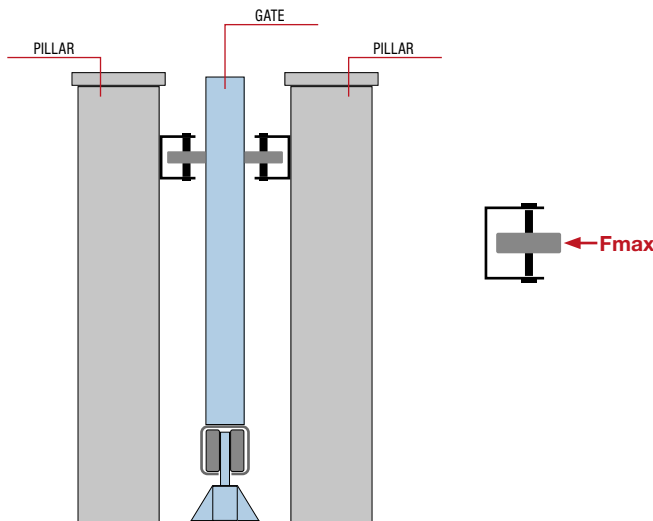
End wheel for monorail
 Galet d'extrémité pour rail
 Auflaufrolle für Laufprofil
 Rueda terminal para monocarril
 Концевое колесо монорейльса

Code	Art.	Size	Finishing	Fmax	Pcs/pack	Kg/pack
11310401 001	CGS-499	20K	Galvanized	500 Kg	2	4

NEW
CGS-499



Guide wheel for sliding gates
 and self-supporting
 Roue de guidage pour portails
 coulissants et autoportants
 Führungsräd für Schiebetore
 und selbsttragend
 Rueda guía para cancelas
 correderas y autoportantes
 Направляющее колесо для
 откатных и самонесущих ворот



Maximum vertical force on the carriage due to the weight of the cantilevered gate

CGS-245



Monorail for cantilever gates
Rails pour portails autoportants
Einfachschiene für selbsttragende Tore
Monocarril para puertas autoportantes
Монорельс для самонесущих ворот

Code	Art.	Size	Finishing	Capacity Kg	Pcs/pack	Kg/pack
10207004	CGS-245M	L=3000	Raw		1	18.25
10207024	CGS-245M	L=6000	Raw		1	36.50
10207006	CGS-245P	L=3000	Raw		1	35.50
10207025	CGS-245P	L=6000	Raw		1	71.00
10207014	CGS-245G	L=3000	Raw		1	67.00
10207026	CGS-245G	L=6000	Raw		1	134.00
10207004 001	CGS-245M	L=3000	Galvanized		1	18.25
10207024 001	CGS-245M	L=6000	Galvanized		1	36.50
10207006 001	CGS-245P	L=3000	Galvanized		1	35.50
10207025 001	CGS-245P	L=6000	Galvanized		1	71.00
10207014 001	CGS-245G	L=3000	Galvanized		1	67.00
10207026 001	CGS-245G	L=6000	Galvanized		1	134.00

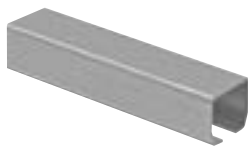
CGA-345



Monorail in extruded aluminium
for cantilever gates
Rail en aluminium extrudé
pour portails autoportants
Einfachschiene aus fließgepresstem
Aluminium für selbsttragende Tore
Monocarril de aluminio extruido
para puertas autoportantes
Монорельс из экструдированного
алюминия для самонесущих ворот

Code	Art.	Size	Finishing	Capacity Kg	Pcs/pack	Kg/pack
10208001	CGA-345M	L=3000	Aluminium		1	12.00
10208003	CGA-345M	L=6000	Aluminium		1	24.00
10208005	CGA-345P	L=3000	Raw		1	16.00
10208007	CGA-345P	L=6000	Raw		1	32.00

CGS-345



Monorail for cantilever gates
Rails pour portails autoportants
Einfachschiene für selbsttragende Tore
Monocarril para puertas autoportantes
Монорельс для самонесущих ворот

Code	Art.	Size	Finishing	Capacity Kg	Pcs/pack	Kg/pack
10207001	CGS-345M	L=3000	Raw		1	18.25
10207002	CGS-345M	L=6000	Raw		1	36.50
10207005	CGS-345P	L=3000	Raw		1	35.00
10207007	CGS-345P	L=6000	Raw		1	70.00
10207020	CGS-345G	L=3000	Raw		1	67.00
10207022	CGS-345G	L=6000	Raw		1	134.00
10207001 001	CGS-345M	L=3000	Galvanized		1	18.25
10207002 001	CGS-345M	L=6000	Galvanized		1	36.50
10207005 001	CGS-345P	L=3000	Galvanized		1	35.00
10207007 001	CGS-345P	L=6000	Galvanized		1	70.00
10207020 001	CGS-345G	L=3000	Galvanized		1	67.00
10207022 001	CGS-345G	L=6000	Galvanized		1	134.00

CGS-345XL



XL Monorail for cantilever gates
Rails XL pour portails autoportants
Einfachschiene XL für selbsttragende Tore
Monocarril XL para puertas autoportantes
Монорельс XL для самонесущих ворот

Code	Art.	Size	Finishing	Capacity Kg	Pcs/pack	Kg/pack
10207032	CGS-345XL	L=5800	Raw		1	136.00

Code	Art.	Size	Finishing	Capacity Kg	Pcs/pack	Kg/pack
10131005 001	CG-05P	Piccolo	Galvanized		2	2.70
10131010 001	CG-05G	Grande	Galvanized		2	6.00



CG-05

Counter plate for carriages -small and large
 Contre-plaque pour chariots – petit e grand
 Gegenplatte für Laufwagen gross und klein
 Contraplaca para carros pequeño y grande
 Контрплита для больших и малых тележек

Code	Art.	Size	Finishing	Capacity Kg	Pcs/pack	Kg/pack
10131100 001	CG-10		Galvanized		1	20.00



CG-10

Calibre d'alignement des tirants
 et fixation chariots
 Lehre für die Aufreihung der Gewindestangen
 und für die Laufwagenbefestigung
 Plantilla de alineación anclajes y fijación carros
 Шаблон выравнивания с анкерным
 креплением и креплением для тележек

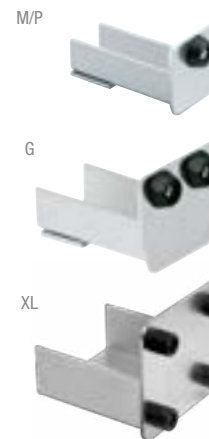
Code	Art.	Size	Finishing	Capacity Kg	Pcs/pack	Kg/pack
10708001 001	CG-15M	Mini	Galvanized		1	2.60
10708005 001	CG-15P	Piccolo	Galvanized		1	2.90
10708010 001	CG-15G	Grande	Galvanized		1	3.30



CG-15

Adjustable wall mounting
 angle racket for end cup
 Platine angulaire réglable
 fixation au mur pour butée
 Verstellbare Eckmuerhalterung
 für Auflegesuh
 Placa angular regulable fijación
 a la pared para encuentro
 Угловой регулируемый кронштейн
 крепления к стене для упора

Code	Art.	Size	Finishing	Capacity Kg	Pcs/pack	Kg/pack
10707101 001	CG-20M	Mini	Galvanized		2	1.56
10707105 001	CG-20P	Piccolo	Galvanized		2	2.29
10707110 001	CG-20G	Grande	Galvanized		2	3.88
10707135 001	CG-20XL	XL	Galvanized		1	3.70



CG-20

End stopper without
 wheel for monorail
 Embout d'extrémité
 sans galet pour rail
 Endpfropfen für
 Einfachschiene ohne Rad
 Terminal sin rueda
 para monocarril
 Наконечник без колеса
 для монорельса

Code	Art.	Size	Finishing	Capacity Kg	Pcs/pack	Kg/pack
10707001 001	CGA-20M	Mini	Galvanized		2	0.44
10707005 001	CGA-20P	Piccolo	Galvanized		2	0.52



CGA-20

End stopper for aluminium monorail
 Embout d'extrémité pour
 rail en aluminium
 Endpfropfen für Einfachschiene
 aus Aluminium
 Terminal para monocarril de aluminio
 Наконечник для алюминиевого
 монорельса

Code	Art.	Size	Finishing	Capacity Kg	Pcs/pack	Kg/pack
10707115 001	CG-21M	Mini	Galvanized		4	1.30
10707120 001	CG-21P	Piccolo	Galvanized		4	1.70
10707125 001	CG-21G	Grande	Galvanized		4	4.90



CG-21

End stopper without wheel for monorail
 Embout d'extrémité sans galet pour rail
 Endpfropfen für Einfachschiene ohne Rad
 Terminal sin rueda para monocarril
 Наконечник без колеса
 для монорельса

CG-25

Lower end cup with nylon roller
Butée inférieure avec rouleau en nylon
Unterauflageschuh mit Nylonrolle
Encuentro inferior con rodillo de nylon
Нижний упор с нейлоновый роликом



Code	Art.	Size	Finishing	Capacity Kg	Pcs/pack	Kg/pack
10707501 001	CG-25M	Mini	Galvanized		2	1.64
10707505 001	CG-25P	Piccolo	Galvanized		2	2.52
10707510 001	CG-25G	Grande	Galvanized		2	4.92

CG-30

Adjustable end cup to be fixed for gates
Butée réglable à fixer pour portails
Verstellbarer Auflageschuh zum Aufschrauben für Tore
Encuentro para puertas regulable para fijar
Прикрепляемый упор для ворот регулируемый



Code	Art.	Size	Finishing	Capacity Kg	Pcs/pack	Kg/pack
10707601 001	CG-30M	Mini	Galvanized		1	1.51
10707605 001	CG-30P	Piccolo	Galvanized		1	1.89
10707610 001	CG-30G	Grande	Galvanized		1	2.24

CG-35

Intermediate support with nylon roller
Support intermédiaire de soutien avec rouleau en nylon
Mittlerer Stütze für selbsttragende Tore
Soporte intermedio de sostén con rodillo de nylon
Промежуточная опора с нейлоновым роликом



Code	Art.	Size	Finishing	Capacity Kg	Pcs/pack	Kg/pack
10707705 001	CG-35P	Piccolo	Galvanized		1	1.40
10707710 001	CG-35G	Grande	Galvanized		1	3.10

CG-40

Tension bar for gate regulation
Tirants pour réglage portails
Ankerbolzen zur Torregulierung
Tensores de acero galvanizado para regulaciones puertas
Тяга из оцинкованной стали для регулирования ворот



Code	Art.	Size	Finishing	Capacity Kg	Pcs/pack	Kg/pack
10131400 001	CG-40	□ 60x60, d=3	Galvanized		1	1.30

CG-251

Adjustable gate guide plate to be fixed with long wing
Plaque guide portail réglable à fixer avec aile longue
Verstellbare Torführungsplatte mit langem Flügel zum Aufschrauben
Placa de guía de la puerta regulable con ala larga para fijar
Пластина регулируемая направляющая ворот с длинной прикрепляемой полкой



Code	Art.	Size	Finishing	Capacity Kg	Pcs/pack	Kg/pack
11310005 001	CG-251	L=350 Ø40	Galvanized		1	6.70

CG-252

Adjustable support against derailment for art. CG-254
Support réglable anti-déraillement pour art. CG-354
Verstellbares Lager gegen Entgleisung für CG-354
Soporte anti-descarrilamiento regulable para art. CG-254
Опора для защиты от схода с рельсов регулируемая для арт. CG-254



Code	Art.	Size	Finishing	Capacity Kg	Pcs/pack	Kg/pack
11310100 001	CG-252	Ø40	Galvanized		2	1.89

Code	Art.	Size	Finishing	Capacity Kg	Pcs/pack	Kg/pack
10210150 001	CG-254	L=3000	Galvanized		1	13.00



CG-254

U channel for supports
against derailment
Caniveau à U pour supports
anti-déraillement
Gegen Entgleisung U-Einfachschiene
Perfil en "U" para soporte
anti-descarrilamiento
Желоб в форме "U" для опоры
защиты от схода с рельсов

Code	Art.	Size	Finishing	Capacity Kg	Pcs/pack	Kg/pack
11310300 001	CG-256-40		Galvanized		2	0.80
11310301 001	CG-256-50		Galvanized		2	1.70



CG-256

Rubber roller for guiding gate
Rouleau en caoutchouc guide-portail
Torführungsrolle aus Schwarz Gummi
Rodillo de goma de guía de la puerta
Резиновый ролик
направляющей ворот

Code	Art.	Size	Finishing	Capacity Kg	Pcs/pack	Kg/pack
10705501 001	CGS-346M	Mini	Galvanized		2	2.10
10705505 001	CGS-346P	Piccolo	Galvanized		2	3.26
10705510 001	CGS-346G	Grande	Galvanized		2	7.37
10705515 001	CGS-346XL	XL	Galvanized		1	4.80



CGS-346

Bottom end cup to be fixed
Butée inférieure à fixer
Unterauflageschuh zum Aufschrauben
Encuentro inferior para fijar
Прикрепляемый нижний упор

Code	Art.	Size	Finishing	Capacity Kg	Pcs/pack	Kg/pack
10705200 001	CGA-347M	Mini	Galvanized		2	2.00
10705205 001	CGA-347P	Piccolo	Galvanized		2	2.46



CGA-347

Nylon end wheel for aluminium monorail
Galet d'extrémité en nylon
pour rail en aluminium
Nylon-Endrolle für Einfachschiene
aus Aluminium
Rueda terminal de nylon para
monocarril de aluminio
Концевое колесо из нейлона для
алюминиевого монорельса

Code	Art.	Size	Finishing	Capacity Kg	Pcs/pack	Kg/pack
10705001 001	CGS-347M	Mini	Galvanized		2	1.80
10705005 001	CGS-347P	Piccolo	Galvanized		2	3.42
10705010 001	CGS-347G	Grande	Galvanized		2	8.39
10705015 001	CGS-347XL	XL	Galvanized		1	7.10



CGS-347

End wheel for monorail
Galet d'extrémité pour rail
Endrad für Einfachschiene
Rueda terminal para monocarril
Концевое колесо монорельса

Code	Art.	Size	Finishing	Capacity Kg	Pcs/pack	Kg/pack
10130505 001	CG-348	M16	Galvanized		12	8.32
10130510 001	CG-348	M20	Galvanized		12	13.21



CG-348

Threaded tie rods for carriages
CGS 350 and CGS 350.8
Tirant fileté pour chariots
CGS 350 et CGS 350.8
Gewindestange für Laufwagen
CGS 350 und CGS 350.8
Anclaje roscado para carros
CGS 350 y CGS 350.8
Резьбовое анкерное крепление
для тележек CGS 350 и CGS 350.8



Life
made
easy



Folding Doors accessories

 **COMUNELLO****GATE**

239

Door leaf stopper
Embout d'amortissage vantaux
Stossdämpfer für Türe
Amortiguador hojas
Амортизирующая пробка створки



Code	Art.	Size	Finishing	Capacity Kg	Pcs/pack	Kg/pack
10700405	239		Black		10	0.55

246

End-stopper for guides art. 398/399
Butee de fin de course pour rails art. 398/399
Letzter Türflügel für Laufschiene art. 398/399
Tope para monocarril art. 398/399
Стопор конца хода для монорельсов арт. 398/399



Code	Art.	Size	Finishing	Capacity Kg	Pcs/pack	Kg/pack
10701705 001	246	For Art. 398/399	Galvanized		4	1.35

248

Guide for sliding doors
Guide pour portails coulissants
Führung für Schiebetüren
Guía para portones de corredera
Направляющая для раздвижных дверей



Code	Art.	Size	Finishing	Capacity Kg	Pcs/pack	Kg/pack
11307500 001	248-60	Ø60	Galvanized		4	2.20
11307501 001	248-70	Ø70	Galvanized		4	1.80
11307505 001	248-80	Ø80	Galvanized		4	2.07

249-30

Adjustable switcher for side folding
Déviateur réglable pour portail pliable latéral
Regulierbarer Ablenker für seitliche Paket-Lagerung
Desviador regulable para puerta plegable
Регулируемое отклоняющее устройство для боковой заветки



Code	Art.	Size	Finishing	Capacity Kg	Pcs/pack	Kg/pack
10401505 001	249-30		Galvanized		4	3.78

270

Flush-mounted handle
Poignée à encaisser
Muschelgriff
Tirador encastrar
Встраиваемая ручка



Code	Art.	Size	Finishing	Capacity Kg	Pcs/pack	Kg/pack
10902005 001	270 P	Piccolo	Galvanized		30	2,46
10902010 001	270 G	Grande	Galvanized		30	7,29

272

Flush-mounted handle with lever
Poignée à encaisser avec levier
Muschelgriff mit Triebriegel
Tirador encastrar con manilla
Встраиваемая ручка с рычагом



Code	Art.	Size	Finishing	Capacity Kg	Pcs/pack	Kg/pack
10903005 001	272 G	Grande	Galvanized		30	11,40

Code	Art.	Size	Finishing	Capacity Kg	Pcs/pack	Kg/pack
10602505 001	352 P	Piccolo for 399	Galvanized		4	7.81
10602510 001	352 G	Grande for 398	Galvanized		4	11.71

**352**

Guide connection
Jonction rail
Verbindungsstück Laufschiene
Empalme monorail
Соединение монорельса

Code	Art.	Size	Finishing	Capacity Kg	Pcs/pack	Kg/pack
10603006 001	354-185	185	Galvanized	130	2	2.80

**354-185**

Adjustable wall rod 185 mm.
Support réglable au mur mm. 185
Regulierbarer Wandbügel 185 mm.
Placa regulable de pared 185 mm
Регулируемый настенный
кронштейн мм 185

Code	Art.	Size	Finishing	Capacity Kg	Pcs/pack	Kg/pack
10603011 001	354-330	330	Galvanized	130	2	4.80

**354-330**

Adjustable wall rod 330 mm.
Support réglable au mur mm. 330
Regulierbarer Wandbügel 330 mm
Placa regulable de pared 330 mm
Регулируемый настенный
кронштейн мм 330

Code	Art.	Size	Finishing	Capacity Kg	Pcs/pack	Kg/pack
10603007 001	355 P	Piccolo	Galvanized	150	2	2.60
10603012 001	355 G	Grande	Galvanized	200	2	3.30


**355**

Adjustable guide support
Support guide réglable
Regulierbarer Ablenker führung
Soporte guia regulable
Опора регулируемой направляющей

Code	Art.	Size	Finishing	Capacity Kg	Pcs/pack	Kg/pack
10603013 001	355 S		Galvanized	200	4	2.10

**355 S**

Adjustable switcher to be welded
Deviateur réglable à souder
Regulierbarer Ablenker zum Schweissen
Soporte regulable para soldar
Привариваемая регулируемая опора

Code	Art.	Size	Finishing	Capacity Kg	Pcs/pack	Kg/pack
10604005 001	356 P	 Piccolo	Galvanized	150	2	4.11

**356**

Adjustable switcher
Deviateur réglable au mur
Regulierbarer Ablenker
Soporte de techo
Потолочная опора

358

Lower guide to be cemented,
length 6 meters
Guide inferieure à sceller de m. 6,00
Untere Schiene zum
Einzementieren, Länge 6 m
Guía inferior para cementar de 6,00 m
Нижняя цементируемая
направляющая м 6,00



Code	Art.	Size	Finishing	Capacity Kg	Pcs/pack	Kg/pack
10202010 001	358	L6000	Galvanized		1	21.30

361

Aluminium floor strike plate
Butoir au sol en aluminium
Bodenaufschuh aus Aluminium
Encuentro de aluminio para suelo
Алюминиевый напольный упор



Code	Art.	Size	Finishing	Capacity Kg	Pcs/pack	Kg/pack
10702505	361 P	Piccolo	Raw		2	1.24
10702510	361 G	Grande	Raw		2	1.23

362

Step for intermediate ante in aluminium
Butee pour vantaux
intermediaires en aluminium
Stütze für mittleren Türflügel
aus Aluminium
Tope para hojas intermedias
de aluminio
Упор для промежуточных
створок из алюминия



Code	Art.	Size	Finishing	Capacity Kg	Pcs/pack	Kg/pack
10702611	362		Raw		2	1.20

363

Aluminium floor strike plate
Guidage au sol en aluminium
Bodenaufschuh aus Aluminium
Encuentro de aluminio para suelo
Алюминиевый напольный упор



Code	Art.	Size	Finishing	Capacity Kg	Pcs/pack	Kg/pack
10702705	363		Raw		2	2.50

364

Adjustable aluminium floor strike plate
Butoir au sol en aluminium réglable
Bodenaufschuh aus
Aluminium regulierbar
Encuentro de aluminio
regulable para suelo
Алюминиевый регулируемый
напольный упор



Code	Art.	Size	Finishing	Capacity Kg	Pcs/pack	Kg/pack
10702405	364	D18-43	Raw		2	1.40

365

Floor strike plate for rods
Butoir pour tringles
Aufschuh für Stangen
Encuentro para varillas
Упор для стержней



Code	Art.	Size	Finishing	Capacity Kg	Pcs/pack	Kg/pack
10702905 001	365		Galvanized		10	1.90

Code	Art.	Size	Finishing	Capacity Kg	Pcs/pack	Kg/pack
10702220	366-42	S42	Black		2	1.45

**366**

Floor strike plate for panic exit device
Butoir au sol pour fermeture antipanique
Bodenaufaufschuh für Antipaniktür
Encuentro para suelo para cierre antipánico
Напольный упор для закрытия антипаник

Code	Art.	Size	Finishing	Capacity Kg	Pcs/pack	Kg/pack
10702310	367 A		Black		2	0.60

**367**

Black nylon floor strike plate, with steel reinforcement
Butoir au sol en nylon noir, avec renfort en acier
Bodenaufaufschuh aus schwarzem Nylon mit Verstärkung aus Stahl
Encuentro de nylon negro para suelo, con refuerzo de acero
Напольный упор из черного нейлона, со стальным укреплением

Code	Art.	Size	Finishing	Capacity Kg	Pcs/pack	Kg/pack
10113007 001	375 P/16	For M16 pin	Galvanized	400	4	3.20
10113006 001	375 P/20	For M20 pin	Galvanized	400	4	3.20

**375 P**

Small steel trolley with four wheels
Chariot petit à 4 galets en acier
Rollenapparat klein mit 4 Stahlrollen
Carro pequeño con 4 ruedas de acero
Маленькая тележка с 4 колесами из стали

Code	Art.	Size	Finishing	Capacity Kg	Pcs/pack	Kg/pack
10113010 001	375 G	For M20 pin	Galvanized	800	4	9.20

**375 G**

Large steel trolley with four wheels for pin, 20 mm.
Chariot grand à 4 galets en acier pour pivot de mm. 20
Rollenapparat gross mit 4 Stahlrollen
Carro grande con 4 ruedas de acero para perno de 20 mm
Большая тележка с 4 стальными колес для штифта мм 20

Code	Art.	Size	Finishing	Capacity Kg	Pcs/pack	Kg/pack
10113402 001	376 P/16	For M16 pin	Galvanized	400	4	2.08
10113401 001	376 P/20	For M20 pin	Galvanized	400	4	2.08

**376 P**

Small nylon trolley with four wheels
Chariot petit à 4 galets en nylon
Rollenapparat klein mit 4 Nylonrollen
Carro pequeño con 4 ruedas de nylon
Маленькая тележка с 4 нейлоновыми колесами

Code	Art.	Size	Finishing	Capacity Kg	Pcs/pack	Kg/pack
10118550 001	377 P	M16	Galvanized	400	4	1.56
10118535 001	377 G/290	M20	Galvanized	800	4	3.08
10118535 003	377 G/290	M20	Black	800	4	3.08
10118540 001	377 G/330	M20	Galvanized	800	4	3.52
10118540 003	377 G/330	M20	Black	800	4	3.52

**377**

Upper pin for trolleys
Pivot supérieur pour chariots
Oberer Bolzen für Rollenapparate
Perno superior para carros
Верхний штырь для тележек

377 R

Lowered upper pin
Pivot supérieur surbaissé
Oberer Bolzen herabgesenkt
Perno superior rebajado
Верхний штырь пониженный



Code	Art.	Size	Finishing	Capacity Kg	Pcs/pack	Kg/pack
10118530 001	377 R/330	M16	Galvanized	400	4	3.60
10118530 003	377 R/330	M16	Black	400	4	3.60

377 G-SC

Galvanized upper pin for sliding doors
Pivot supérieur pour portail coulissant zingué
Oberer Bolzen für Schiebetüren verzinkt
Perno superior para puerta corredera galvanizado
Верхний штырь для передвижения оцинкованный



Code	Art.	Size	Finishing	Capacity Kg	Pcs/pack	Kg/pack
10118701 001	377 G-SC	M16	Galvanized	400	4	1.40

378

Adjustable lower pin
Pivot inférieur réglable
Unterer Bolzen regulierbar
Perno inferior regulable
Нижний регулируемый штифт



Code	Art.	Size	Finishing	Capacity Kg	Pcs/pack	Kg/pack
10310505 001	378 P		Galvanized		4	0.85
10310510 001	378 G		Galvanized		4	1.80

379

Adjustable lower pin with bearing
Pivot inférieur réglable avec roulement
Unterer Bolzen mit Kugellager regulierbar
Perno inferior regulable con rodamiento
Нижний регулируемый штифт с подшипником



Code	Art.	Size	Finishing	Capacity Kg	Pcs/pack	Kg/pack
10311005 001	379 P	M16	Galvanized		4	1.05
10311008 001	379 G/135	M20	Galvanized		4	1.52
10311008 003	379 G/135	M20	Black		4	1.52
10311010 001	379 G/200	M20	Galvanized		4	2.23
10311010 003	379 G/200	M20	Black		4	2.23

RG-387

"U" profile for side folding switchers
Profil en "u" pour deviateurs pour portail pliable lateral
U-Profil für Ablenker für seitliche Paket-Lagerung
Perfil en "U" para desviadores para puerta plegable
Профиль в форме "u" для отклоняющего устройства с боковым воздействием



Code	Art.	Size	Finishing	Capacity Kg	Pcs/pack	Kg/pack
10210105 001	RG-387.3M	35X35 d. 2	Galvanized		1	4,70
10210101 001	RG-387.6M	35X35 d. 2	Galvanized		1	9,40

388

Reversible jib for 4-leaf side folding
Penture reversible pour portail pliable lateral 4 vantaux
Reversible schwenkplatte für seitliche paket-lagerung bei 4 türen
Muesca de guía reversible para empaquetamiento lateral de 4 puertas
Реверсивный флажок для боковой заправки 4 створки



Code	Art.	Size	Finishing	Capacity Kg	Pcs/pack	Kg/pack
10210010 503	388		Black		1	12.50

Code	Art.	Size	Finishing	Capacity Kg	Pcs/pack	Kg/pack
10118350 503	395 DX	For M20 pin	Black		4	2.30
10118360 503	395 SX	For M20 pin	Black		4	2.30



395 DX-SX

Die-cast aluminium trolley with three wheels
 Chariot en aluminium moule a 3 galets
 Rollenapparat aus Aluminium mit 3 Rollen
 Carro de aluminio fundido a presión con 3 ruedas
 Тележка из литого алюминия с 3 колесами

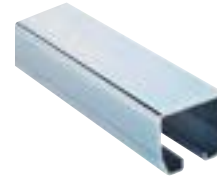
Code	Art.	Size	Finishing	Capacity Kg	Pcs/pack	Kg/pack
10118305 503	396	For M20 pin	Black	280	4	3.60



396

Reversible aluminium trolley with three wheels
 Chariot reversible en aluminium a 3 galets
 Reversibler Rollenapparat aus Aluminium mit 3 Rollen
 Carro reversible de aluminio con 3 ruedas
 Реверсивная тележка из алюминия с 3 колесами

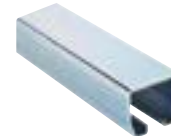
Code	Art.	Size	Finishing	Capacity Kg	Pcs/pack	Kg/pack
10203011 001	398-3000	Grande L3000	Galvanized		1	30.35
10203012 001	398-6000	Grande L6000	Galvanized		1	60.70



398

Large galvanized upper guide for trolleys with four wheels
 Rail superieur pour chariots 4 galets grands zingues
 Obere Laufschiene für Rollenapparate mit 4 Rollen gross verzinkt
 Monocarril superior grande galvanizado para carros con 4 ruedas
 Верхний монорельс для тележек с 4 колесами большой оцинкованный

Code	Art.	Size	Finishing	Capacity Kg	Pcs/pack	Kg/pack
10203006 001	399-3000	Piccola L3000	Galvanized		1	16.65
10203008 001	399-5500	Piccola L5500	Galvanized		1	30.40
10203007 001	399-6000	Piccola L6000	Galvanized		1	33.30



399

Small galvanized upper guide for trolleys with four wheels
 Rail superieur pour chariots 4 galets petite zingues
 Obere Laufschiene für Rollenapparate mit 4 Rollen klein verzinkt
 Monocarril superior pequeño galvanizado para carros con 4 ruedas
 Верхний монорельс для тележек с 4 колесами малый оцинкованный

Code	Art.	Size	Finishing	Capacity Kg	Pcs/pack	Kg/pack
11000400 503	671 P	L=215 ø15	Ral 9005		10	6,40
11000401 503	671 G	L=265 ø15	Ral 9005		10	7,10



671

Bended pull handle dia.15mm
 Poignée courbée dia.15mm
 Gebogener Stossgriff Durchm.15 mm
 Tirador curvo Ø 15 mm
 Изогнутая ручка Ø15 мм

690 MC

Small star lever bolt
Cremone star petite
Treibriegel star klein
Falleba star pequeña
Малый болтовой рычаг star



Code	Art.	Size	Finishing	Capacity Kg	Pcs/pack	Kg/pack
11205006 503	690 MC DX	Rod 25X10 C31	Black		2	1.90
11205006 001	690 MC DX	Rod 25X10 C31	Galvanized		2	1.90
11205011 503	690 MC SX	Rod 25X10 C31	Black		2	1.83
11205011 001	690 MC SX	Rod 25X10 C31	Galvanized		2	1.83

691 P

Rod guide 25x10
Traversant pour tringles 25x10
Lasche für Stangen 25x10
Puente para varillas 25x10
Сквозная направляющая
для стержней 25x10



Code	Art.	Size	Finishing	Capacity Kg	Pcs/pack	Kg/pack
12001105 503	691 P	25X10	Black		50	2.70
12001105 001	691 P	25X10	Galvanized		50	2.80

691 G

Rod guide for 30 x 10 rod
Traversant pour tringle 30x10
Führungsaufnahme für
Verbindungsstange 30x10
Puente para varilla 30x10
Сквозная направляющая
для стержней 30x10



Code	Art.	Size	Finishing	Capacity Kg	Pcs/pack	Kg/pack
12001505 503	691 G	30X10	Black		50	7.10
12001505 001	691 G	30X10	Galvanized		50	7.10

692 P

Connection rod 25x10
Tringle de jonction 25x10
Verbindungsstange 25x10
Varilla de conexión 25x10
Соединительный стержень 25x10



Code	Art.	Size	Finishing	Capacity Kg	Pcs/pack	Kg/pack
10203503 003	692 P/1200	25X10	Black		1	2.34
10203503 001	692 P/1200	25X10	Galvanized		1	2.34
10203515 003	692 P/3000	25X10	Black		1	5.88
10203515 001	692 P/3000	25X10	Galvanized		1	5.88
10203504 003	692 P/4800	25X10	Black		1	9.50
10203504 001	692 P/4800	25X10	Galvanized		1	9.50

692 G

Connection rod 30x10
Tringle de jonction 30x10
Verbindungsstange 30x10
Varilla de conexión 30x10
Соединительный стержень 30x10



Code	Art.	Size	Finishing	Capacity Kg	Pcs/pack	Kg/pack
10203518 003	692 G/1200	30X10	Black		1	2.80
10203518 001	692 G/1200	30X10	Galvanized		1	2.80
10203530 003	692 G/3000	30X10	Black		1	7.00
10203530 001	692 G/3000	30X10	Galvanized		1	7.00
10203540 003	692 G/4800	30X10	Black		1	11.30
10203540 001	692 G/4800	30X10	Galvanized		1	11.30

693 MC

Small star lever bolt for internal rods
Cremone star petite pour
tringles intérieures
Treibriegel star klein für innenstangen
Falleba star pequeña para
varillas internas
Малый болтовой рычаг star
для внутренних стержней



Code	Art.	Size	Finishing	Capacity Kg	Pcs/pack	Kg/pack
11207006 503	693 MC DX	25X10	Black		2	2.50
11207011 503	693 MC SX	25X10	Black		2	2.50

Code	Art.	Size	Finishing	Capacity Kg	Pcs/pack	Kg/pack
11205506 503	694 MC DX	Rod 30X10 C40	Black		2	3.84
11205506 001	694 MC DX	Rod 30X10 C40	Galvanized		2	3.84
11205511 503	694 MC SX	Rod 30X10 C40	Black		2	3.84
11205511 001	694 MC SX	Rod 30X10 C40	Galvanized		2	3.84



694 MC

Large star lever bolt
Cremone star grande
Treibriegel star gross
Falleba star grande
Большой болтовой рычаг star

Code	Art.	Size	Finishing	Capacity Kg	Pcs/pack	Kg/pack
10203703 003	695 P/1200	25X10	Black		1	1.35
10203703 001	695 P/1200	25X10	Galvanized		1	1.35
10203715 003	695 P/3000	25X10	Black		1	3.37
10203715 001	695 P/3000	25X10	Galvanized		1	3.37
10203704 003	695 P/4800	25X10	Black		1	4.70
10203704 001	695 P/4800	25X10	Galvanized		1	4.70



695 P

Connection tubular rod 25x10
Tringle de jonction tubulaire 25x10
Rohr-Verbindungsstange 25x10
Varilla de conexión tubular 25x10
Соединительный стержень
трубчатый 25x10

Code	Art.	Size	Finishing	Capacity Kg	Pcs/pack	Kg/pack
10203718 003	695 G/1200	30X10	Black		1	1.16
10203718 001	695 G/1200	30X10	Galvanized		1	1.16
10203730 003	695 G/3000	30X10	Black		1	3.40
10203730 001	695 G/3000	30X10	Galvanized		1	3.40
10203740 003	695 G/4800	30X10	Black		1	5.40
10203740 001	695 G/4800	30X10	Galvanized		1	5.40



695 G

Connection tubular rod 30x10
Tringle de jonction tubulaire 30x10
Rohr-Verbindungsstange 30x10
Varilla de conexión tubular 30x10
Соединительный стержень
трубчатый 30x10

Code	Art.	Size	Finishing	Capacity Kg	Pcs/pack	Kg/pack
10203702 003	695 PM/1200	25X10	Black		1	1.20
10203702 001	695 PM/1200	25X10	Galvanized		1	1.20



695 PM

Closing tubular rod with handle 25x10
Tringle tubulaire de fermeture
avec poignée 25x10
Rohrverschlussstange mit Griffe 25x10
Varilla de cierre tubular
con manilla 25x10
Закрывающий стержень
трубчатый с ручкой 25x10

Code	Art.	Size	Finishing	Capacity Kg	Pcs/pack	Kg/pack
10203701 003	695 GM/1200	30X10	Black		1	1.40
10203701 001	695 GM/1200	30X10	Galvanized		1	1.40



695 GM

Closing tubular rod with handle 30x10
Tringle tubulaire de fermeture
avec poignée 30x10
Rohrverschlussstange mit Griffe 30x10
Varilla de cierre tubular
con manilla 30x10
Закрывающий стержень
трубчатый с ручкой 30x10

Code	Art.	Size	Finishing	Capacity Kg	Pcs/pack	Kg/pack
11206006 503	696 MC DX	Rod 30X10 C40	Black		2	3.00
11206006 001	696 MC DX	Rod 30X10 C40	Galvanized		2	3.00
11206011 503	696 MC SX	Rod 30X10 C40	Black		2	3.00
11206011 001	696 MC SX	Rod 30X10 C40	Galvanized		2	3.00



696 MC

Large star lever bolt for cylinder
Cremone star grande pour cylindre
Treibriegel star gross für Zylinder
Falleba star grande para cilindro
Большой болтовой рычаг
star для цилиндра

698 MC

Large star lever bolt whit external handle
 Cremona star grande avec béquille extérieure
 Treibriegel star gross
 Falleba star grande con manilla exterior
 Большой болтовой рычаг star с наружной ручкой



Code	Art.	Size	Finishing	Capacity Kg	Pcs/pack	Kg/pack
11206506 503	698 MC DX/50	Rod 30X10 L50	Black		2	4.30
11206526 503	698 MC DX/80	Rod 30X10 L80	Black		2	4.35
11206506 001	698 MC DX/50	Rod 30X10 L50	Galvanized		2	4.30
11206526 001	698 MC DX/80	Rod 30X10 L80	Galvanized		2	4.35
11206511 503	698 MC SX/50	Rod 30X10 L50	Black		2	4.30
11206531 503	698 MC SX/80	Rod 30X10 L80	Black		2	4.35
11206511 001	698 MC SX/50	Rod 30X10 L50	Galvanized		2	4.30
11206531 001	698 MC SX/80	Rod 30X10 L80	Galvanized		2	4.35

699

Nylon pull handle with guides
 Poignée d'entraînement en nylon avec traversants
 Nylongriff zum Ziehen mit Laschen
 Tirador de arrastramiento en nailon con puentes
 Тележка с 2 поворотными колесами с подшипниками



Code	Art.	Size	Finishing	Capacity Kg	Pcs/pack	Kg/pack
11003500	699	30X10	Black		10	2.90

A370 P

Small flat aluminium double hinge
 Paumelle double petite en aluminium plate
 Doppelscharnier klein aus Aluminium flach
 Pernio doble pequeño de aluminio chato
 Малый плоский двойной шарнир из алюминия



Code	Art.	Size	Finishing	Capacity Kg	Pcs/pack	Kg/pack
11630405 503	A370 P	L=100 Ø16	Black	200	12	5.92

A371 P

Small flat aluminium double hinge, without pin
 Paumelle double petite en aluminium plate, sans pivot
 Doppelscharnier klein aus Aluminium flach, ohne Bolzen
 Pernio doble pequeño de aluminio sin eje
 Малый двойной шарнир из алюминия без штифта



Code	Art.	Size	Finishing	Capacity Kg	Pcs/pack	Kg/pack
11630905 503	A371 P	L=100 Ø16	Black	200	4	1.40

A380 P

Small aluminium double hinge with steps
 Paumelle double petite en aluminium avec butées
 Doppelscharnier klein aus Aluminium mit Stützen
 Pernio doble pequeño de aluminio con topes
 Малый двойной шарнир из алюминия с упорами



Code	Art.	Size	Finishing	Capacity Kg	Pcs/pack	Kg/pack
11630505 503	A380 P	L=100 Ø16	Black	200	12	6.00

A380 G

Large aluminium double hinge with steps
 Paumelle double grande en aluminium avec butées
 Doppelscharnier gross aus Aluminium mit Stützen
 Pernio doble grande de aluminio con topes
 Большой двойной шарнир из алюминия с упорами



Code	Art.	Size	Finishing	Capacity Kg	Pcs/pack	Kg/pack
11630511 503	A380 G	L=139 Ø20	Black	400	12	11.70

Code	Art.	Size	Finishing	Capacity Kg	Pcs/pack	Kg/pack
11634005 503	A380 R	L=139 Ø20	Black	400	4	4.00



A380 R

Flat aluminium double hinge, adjustable
 Paumelle double en aluminium
 plate, réglable
 Doppelscharnier aus aluminium
 flach, regulierbar
 Pernio doble de aluminio
 chato, regulable
 Плоский двойной шарнир из
 алюминия, регулируемый

Code	Art.	Size	Finishing	Capacity Kg	Pcs/pack	Kg/pack
11631005 503	A381 P	L=100 Ø16	Black	200	4	2.20



A381 P

Small aluminium double hinge
 with steps, without pin
 Paumelle double petite en aluminium,
 avec butées, sans pivot
 Doppelscharnier klein aus Aluminium
 mit Stützen, ohne Bolzen
 Pernio doble pequeño de
 aluminio con topes, sin eje
 Малый двойной шарнир из
 алюминия с упорами, без штифта

Code	Art.	Size	Finishing	Capacity Kg	Pcs/pack	Kg/pack
11631011 503	A381 G	L=139 Ø20	Black	400	4	2.77



A381 G

Large aluminium double hinge
 with steps, without pin
 Paumelle double grande en
 aluminium avec butées, sans pivot
 Doppelscharnier gross aus Aluminium
 mit Stützen, ohne Bolzen
 Pernio doble grande de
 aluminio con topes, sin eje
 Большой двойной шарнир из
 алюминия с упорами, без штифта

Code	Art.	Size	Finishing	Capacity Kg	Pcs/pack	Kg/pack
11632405 503	A384 P	L=100 Ø16	Black	150	4	1.05



A384 P

Small flat aluminium hinge
 Paumelle simple petite
 en aluminium plate
 Einzel-Scharnier klein aus
 Aluminium flach
 Pernio pequeño de aluminio chato
 Малый плоский одинарный
 шарнир из алюминия

Code	Art.	Size	Finishing	Capacity Kg	Pcs/pack	Kg/pack
11632505 503	A385 P	L=100 Ø16	Black	150	4	1.00



A385 P

Small aluminium hinge with step
 Paumelle simple petite en
 aluminium avec butée
 Einzel-scharnier klein aus
 Aluminium mit Stütze
 Pernio pequeño de aluminio con tope
 Малый одинарный шарнир
 из алюминия с упором

Code	Art.	Size	Finishing	Capacity Kg	Pcs/pack	Kg/pack
11644015 503	P365	L=139 Ø20	Black	200	4	1.80



P365

Die-cast aluminium hinge
 with off-centre step
 Paumelle simple en aluminium
 moulée avec butée desaxée
 Einzel-Scharnier aus Alu-druckguss
 mit ausserachsiger Stütze
 Pernio de aluminio fundido a
 presión con tope descentrado
 Одинарный шарнир из литого
 алюминия с упором, смещенный

P365 R

Reduced die-cast aluminium hinge with step
 Paumelle simple reduite en aluminium moulée avec butée
 Einzel-scharnier reduziert aus Alu-druckguss mit Stütze
 Pernio reducido de aluminio fundido a presión con tope
 Уменьшенный одинарный шарнир из литого алюминия с упором



Code	Art.	Size	Finishing	Capacity Kg	Pcs/pack	Kg/pack
11645515 503	P365R	L=139 Ø20	Black	200	4	1.60

P368 I

Off-centre die-cast aluminium lower hinge
 Paumelle inférieure en aluminium moulée décentrée
 Unteres-Scharnier aus Alu-druckguss dezentriert
 Pernio inferior de aluminio fundido a presión descentrado
 Нижний шарнир из литого алюминия, смещенный



Code	Art.	Size	Finishing	Capacity Kg	Pcs/pack	Kg/pack
11644500 503	P368 I	L=90 Ø20	Black		4	2.56

P368 S

Off-centre die-cast aluminium upper hinge
 Paumelle supérieure en aluminium moulée décentrée
 Oberes Scharnier aus Alu-druckguss dezentriert
 Pernio superior de aluminio fundido a presión descentrado
 Верхний шарнир из литого алюминия, смещенный



Code	Art.	Size	Finishing	Capacity Kg	Pcs/pack	Kg/pack
11644550 503	P368 S	L=90 Ø20	Black		4	2.56

P368 M

Off-centre oversized upper/lower hinge
 Paumelle supérieure/inférieure surdimensionnée décentralisée
 Dezentralisiertes oberes/unteres Scharnier vergrößert
 Pernio superior/inferior sobredimensionado descentrado
 Верхний/нижний шарнир увеличенный смещенный



Code	Art.	Size	Finishing	Capacity Kg	Pcs/pack	Kg/pack
11644560 503	P368 M	L=90 Ø20	Black		4	2.46

P370

Flat die-cast aluminium double hinge
 Paumelle double en aluminium moulée plate
 Doppelscharnier aus Alu-druckguss flach
 Pernio doble de aluminio fundido a presión chato
 Плоский двойной шарнир из литого алюминия



Code	Art.	Size	Finishing	Capacity Kg	Pcs/pack	Kg/pack
11640710 503	P 370	L=139 Ø20	Black	400	12	12.65

P371

Flat die-cast aluminium double hinge, without pin
 Paumelle double en aluminium moulée plate, sans pivot
 Doppelscharnier Aus alu-druckguss flach, ohne Bolzen
 Pernio doble de aluminio fundido a presión chato, sin eje
 Плоский двойной шарнир из литого алюминия без штифта



Code	Art.	Size	Finishing	Capacity Kg	Pcs/pack	Kg/pack
11641210 503	P371	L=139 Ø20	Black	400	4	3.07

Code	Art.	Size	Finishing	Capacity Kg	Pcs/pack	Kg/pack
11640510 503	P380	L=139 Ø20	Black	400	12	13.02

**P380**

Die-cast aluminium double hinge with steps
 Paumelle double en aluminium moulée avec butées
 Doppelscharnier aus Alu-druckguss mit Stützen
 Pernio doble de aluminio fundido a presión con topes
 Плоский двойной шарнир из литого алюминия с упорами

Code	Art.	Size	Finishing	Capacity Kg	Pcs/pack	Kg/pack
11641010 503	P381	L=139 Ø20	Black	400	4	4.96

**P381**

Die-cast aluminium double hinge, without pin
 Paumelle double en aluminium moulée avec butées, sans pivot
 Doppelscharnier aus Alu-druckguss mit Stützen, ohne Bolzen
 Pernio doble de aluminio fundido a presión con topes, sin eje
 Двойной шарнир из литого алюминия с упорами без штифта

Code	Art.	Size	Finishing	Capacity Kg	Pcs/pack	Kg/pack
11642510 503	P385	L=139 Ø20	Black	200	4	2.18

**P385**

Die-cast aluminium hinge with step
 Paumelle simple en aluminium moulée avec butée
 Einzel-scharnier aus Alu-druckguss mit Stütze
 Pernio de aluminio fundido a presión con tope
 Одинарный шарнир из литого алюминия с упором

Code	Art.	Size	Finishing	Capacity Kg	Pcs/pack	Kg/pack
10310701	R383-33		Black		200	0.80

**R383-33**

Supperper for hinge P380
 Embout de tête pour paumelle P380
 Stöpsel für Scharnierkopf P380
 Tapa para pernio P380
 Торцевая заглушка для шарнира P380

Code	Art.	Size	Finishing	Capacity Kg	Pcs/pack	Kg/pack
10310702	R383-13,5		Black		200	0.20

**R383-13.5**

Screw cover for hinge P380
 Embout couvre-vis pour paumelle P380
 Stöpsel für P380 schraube
 Tapatornillo para pernio P380
 Заглушка для закрытия винта для шарнира P380

Code	Art.	Size	Finishing	Capacity Kg	Pcs/pack	Kg/pack
10310601 001	R378	Ø20	Galvanized		20	5.96

**R378**

Pin for hinge P380
 Pivot pour paumelle P380
 Bolzen für Scharnier P380
 Eje para pernio P380
 Штырь для шарнира P380

Code	Art.	Size	Finishing	Capacity Kg	Pcs/pack	Kg/pack
12400526 003	400-20X36X11		Black		100	4.70

**400**

Bearing 20x36x11 black galvanized for p380
 Roulement 20x36x11 zinc. Noir pour p380
 Lager 20x36x11 schwarz-verzinkt für p380
 Rodamiento 20x36x11 galvaniz. Negro para P380
 Подшипник 20x36x11 цинк. Черный для P380



Life
made
easy

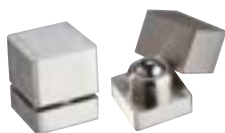


Stainless Steel Hardware

 **COMUNELLO****GATE**

84i

Bottom plate with spherical pin
Platine inférieure et pivot sphérique
Bodenplatte mit Drehstift
Base inferior con pernio con bola
Нижняя плита со сферическим штифтом



Code	Art.	Size	Finishing	Capacity Kg	Pcs/pack	Kg/pack
10800305	84i	42x42	S.steel	100	2	1.30

Capacity per couple hinges, L/H=1

86i

Upper hinge with plate
Gond supérieur avec platine
Oberes Torband mit Platte
Bisagra superior con placa
Верхняя петля с пластиной



Code	Art.	Size	Finishing	Capacity Kg	Pcs/pack	Kg/pack
10800605	86i-P	Piccolo Ø 50	S.steel	200	2	1.72
10800610	86i-G	Grande Ø70	S.steel	650	2	4.10

Capacity per couple hinges, L/H=1

87i-P

Bottom hinge with thrust bearing
Gond inférieur avec roulement de butée
Unteres Torband mit Drucklager
Bisagra superior con placa
Верхняя петля с пластиной



Code	Art.	Size	Finishing	Capacity Kg	Pcs/pack	Kg/pack
10801105	87i-P	Piccolo Ø 50	S.steel	200	2	0.96
10801110	87i-G	Grande Ø70	S.steel	650	2	2.00

Capacity per couple hinges, L/H=1

116i

Pivot and plate to be welded
Pivot et plaque à souder
Drehstift und Platte zum Schweissen
Pernio y placa para soldar
Привариваемые штифт и пластина



Code	Art.	Size	Finishing	Capacity Kg	Pcs/pack	Kg/pack
10806205	116i-20		S.steel	150	2	1.28
10806210	116i-24		S.steel	240	2	2.20

Capacity per couple hinges, L/H=1

120i

Hinge with u-bolt and bush
Gond avec crampillon et douille
Torband mit U-Bügel und Buchse
Bisagra con pletina en U y casquillo
Петля со скобой и втулкой

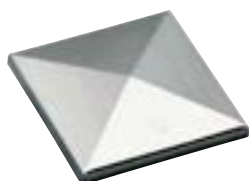


Code	Art.	Size	Finishing	Capacity Kg	Pcs/pack	Kg/pack
10806605	120i-M20	C37 M20 R45-65	S.steel	150	8	3.41
10806610	120i-M24	C47 M24 R53-75	S.steel	225	4	6.61

Capacity per couple hinges, L/H=1

165i

Square pillar cover
Couvre pilastre carré
Viereckiger Pfostendeckel
Cubrepillar cuadrado
Квадратный концевик для стойки



Code	Art.	Size	Finishing	Capacity Kg	Pcs/pack	Kg/pack
12100705	165i-30	30X30	S.steel		10	0.29
12100710	165i-40	40X40	S.steel		10	0.40
12100715	165i-50	50X50	S.steel		10	0.55
12100720	165i-60	60X60	S.steel		10	0.74
12100725	165i-80	80X80	S.steel		6	0.71
12100730	165i-100	100X100	S.steel		6	1.07
12100735	165i-120	120X120	S.steel		6	1.36
12100740	165i-150	150X150	S.steel		2	0.79

Code	Art.	Size	Finishing	Capacity Kg	Pcs/pack	Kg/pack
10701520	195i-400	400	S.steel	400	10	16.12
10701530	195i-500	500	S.steel	400	10	17.30
10701540	195i-600	600	S.steel	400	10	18.60
10701550	195i-700	700	S.steel	400	10	20.10

**195i**

Safety cable for swinging gate anti downfall
Cable anti-chute pour portail battent
Fall-Schutz Kabel
Protección contra caídas para cancelas batientes.
Защита от падения для распашных ворот.

Code	Art.	Size	Finishing	Capacity Kg	Pcs/pack	Kg/pack
10200108	197i	L=250	S.steel		10	1.90

**197i**

Threaded bar for anti fall cable
Tige filetée pour cable anti-chute
Gewindestange für Fall-Schutz Kabel
Barra roscada para seguridad anti-caída
Резьбовой стержень для защиты от падения

Code	Art.	Size	Finishing	Capacity Kg	Pcs/pack	Kg/pack
10701105	170i		S.steel		5	1.80

**170i**

Stop batten to be cemented
Battent d'arrêt à sceller
Auflaufschuh zum Ausbetonieren
Tope para cementar
Цементируемый стопор

Code	Art.	Size	Finishing	Capacity Kg	Pcs/pack	Kg/pack
10701610	200i-G	H=115	S.steel		5	2.90

**200i-G**

Runaway stop
Boutoir de fin de course
Torendpuffer
Tope de final de carrera
Стопор конца хода

Code	Art.	Size	Finishing	Capacity Kg	Pcs/pack	Kg/pack
11301310	230i-30	M16 Ø30	S.steel		8	1.50
11301315	230i-40	M16 Ø40	S.steel		4	1.11

**230i**

Nylon roller
Rouleau en nylon
Nylon-Führungsrolle
Rodillo de nylon
Нейлоновый наконечник

Code	Art.	Size	Finishing	Capacity Kg	Pcs/pack	Kg/pack
11305605	250i-220	Ø30 R35-62	S.steel		1	1.40

**250i**

Drive-gate adjustable plate
Platine guide-portail réglable
Verstellbarer Torführungsbügel
Placa de guía de la puerta regulable
Пластина регулируемая направляющая ворот

255i

Guiding plate for gates with double adjustment
 Platine guide-portail à double réglage
 Torföhrungsbügel mit Doppelverstellung
 Placa de guía de la puerta de doble regulación
 Пластина направляющая ворот с двойным регулированием



Code	Art.	Size	Finishing	Capacity Kg	Pcs/pack	Kg/pack
11306105	255i-220	Ø30	S.steel		1	2.25

260i

Rectangular rack 30x12 with holes
 Crémaillère rectangulaire 30x12 avec trous
 Rechteckige Zahnstange 30x12 mit Bohrungen
 Cremallera rectangular 30x12 con agujeros
 Зубчатая рейка прямоугольная 30x12 с отверстиями



Code	Art.	Size	Finishing	Capacity Kg	Pcs/pack	Kg/pack
11400610	260i-22x22	L=2000	S.steel	3000	1	6.15

262i

Rectangular rack 30x12 with holes
 Crémaillère rectangulaire 30x12 avec trous
 Rechteckige Zahnstange 30x12 mit Bohrungen
 Cremallera rectangular 30x12 con agujeros
 Зубчатая рейка прямоугольная 30x12 с отверстиями



Code	Art.	Size	Finishing	Capacity Kg	Pcs/pack	Kg/pack
11401105	262i-30x12	L=1000	S.steel	1000	1	2.35

264i

Support for rectangular rack to be welded
 Attache entretoise pour crémaillère rectangulaire
 Distanzstück für rechteckige Zahnstange zum Schweißen
 Fijación para soldar para cremallera rectangular
 Привариваемое соединение для прямоугольной зубчатой рейки



Code	Art.	Size	Finishing	Capacity Kg	Pcs/pack	Kg/pack
11401905	264i		S.steel		20	1.00

270i

Flush-mounted handle
 Poignée à encaisser
 Muschelgriff
 Tirador encastrar
 Встраиваемая ручка



Code	Art.	Size	Finishing	Capacity Kg	Pcs/pack	Kg/pack
10902505	270i-P	 Piccolo	S.steel		4	0.35
10902510	270i-G	Grande	S.steel		4	1.05

287i

Track to be cemented "Pendolino"
 Rail à sceller "Pendolino"
 Bodenlaufschiene zum Einbetonieren "Pendolino"
 Carril para cementar "Pendolino"
 Рельсы цементируемые "Pendolino"




Code	Art.	Size	Finishing	Capacity Kg	Pcs/pack	Kg/pack
10204113	287i-GØ19-Sp2	L=3000	S.steel		1	5.95
10204114	287i-GØ19-Sp2	L=6000	S.steel		1	11.90

289i

Track to be bolted "Rapido"
 Rail à visser "Rapido"
 Laufschiene zum Anschrauben "Rapido"
 Carril para fijar "Rápido"
 Рельсы прикрепляемые "Rapido"



Code	Art.	Size	Finishing	Capacity Kg	Pcs/pack	Kg/pack
10201601	289i-P-Ø15-Sp2 	L=3000	S.steel		1	3.10
10201605	289i-G-Ø19-Sp2	L=3000	S.steel		1	3.30
10201610	289i-G-Ø19-Sp2	L=6000	S.steel		1	6.20

Code	Art.	Size	Finishing	Capacity Kg	Pcs/pack	Kg/pack
10602105	291i	80-Ø12,5	S.steel		1	0.08



291i

Connection pin for track Art. 289i - Ø19
 Jonction pour rail Art. 289i - Ø19
 Verbindungsstift zum
 Laufschiene Art. 289i - Ø19
 Pasador de conexión para
 carril Art.289i - Ø19
 Соединительный штырь
 для рельс арт.289i - Ø15

Code	Art.	Size	Finishing	Capacity Kg	Pcs/pack	Kg/pack
10201805	293i	L=3000	S.steel		1	3.00
10201810	293i	L=6000	S.steel		1	6.00



293i

Track to be bolted "Diretto"
 Rail à visser "Diretto"
 Laufschiene zum Anschrauben "Diretto"
 Carril para fijar "Diretto"
 Рельсы прикрепляемые "Diretto"

Code	Art.	Size	Finishing	Capacity Kg	Pcs/pack	Kg/pack
10602305	295i	90-Ø8,5	S.steel		1	0.05



295i

Connection pin for track Art.293i
 Jonction pour rail Art.293i
 Verbindungsstift zum Art.293i
 Pasador de conexión para carril Art.293i
 Соединительный штырь
 для рельс арт.293i

Code	Art.	Size	Finishing	Capacity Kg	Pcs/pack	Kg/pack
10601705	297i	90-Ø14,0	S.steel		1	0.11



297i

Connection pin for track 287i-G
 Jonction pour rail Art.287i-G
 Verbindungsstift zum
 Laufschiene Art. 287i-G
 Pasador de conexión para
 carril Art.287i-G
 Соединительный штырь
 для рельс арт.287i-G

Code	Art.	Size	Finishing	Capacity Kg	Pcs/pack	Kg/pack
11501410	300i-V60	Ø60	S.steel	100	2	0.65
11501420	300i-V80	Ø78	S.steel	200	2	1.46
11501430	300i-V90	Ø88	S.steel	210	2	1.84
11501440	300i-V100	Ø98	S.steel	220	2	2.38
11501450	300i-V120	Ø117	S.steel	240	2	3.39
11501460	300i-V140	Ø137	S.steel	270	2	5.37
11501470	300i-V160	Ø157	S.steel	370	2	7.06
11501480	300i-V200	Ø197	S.steel	400	2	11.31



300i W

1 BEARING
 Wheel with V groove
 Galet avec gorge V
 Schiebetorrolle mit V-Rille
 Rueda canal V
 Колесо с пазом V

Code	Art.	Size	Finishing	Capacity Kg	Pcs/pack	Kg/pack
11502140	305i-V100	Ø98	S.steel	400	2	3.00
11502150	305i-V120	Ø117	S.steel	420	2	4.33
11502160	305i-V140	Ø137	S.steel	540	2	6.63
11502170	305i-V160	Ø157	S.steel	770	2	9.35
11502180	305i-V200	Ø197	S.steel	800	2	14.91



305i W

2 BEARINGS
 Wheel with V groove
 Galet avec gorge V
 Schiebetorrolle mit V-Rille
 Rueda canal V
 Колесо с пазом V

310i W

1 BEARING

Wheel with half-rounded groove
Galet avec gorge demi-ronde
Schiebetorrolle mit Rundrille
Rueda canal semirredondo
Колесо с полукруглым пазом



Code	Art.	Size	Finishing	Capacity Kg	Pcs/pack	Kg/pack
11504810	310i-60	Ø60	S.steel	100	2	0.72
11504825	310i-80S	Ø78	S.steel	200	2	1.33
11504835	310i-90S	Ø88	S.steel	210	2	1.77
11504845	310i-100S	Ø98	S.steel	220	2	2.28
11504850	310i-120	Ø117	S.steel	240	2	3.48
11504860	310i-140	Ø137	S.steel	270	2	5.00
11504870	310i-160	Ø157	S.steel	370	2	6.62
11504880	310i-200	Ø197	S.steel	400	2	10.69

315i W

2 BEARINGS

Wheel with half-rounded groove
Galet avec gorge demi-ronde
Schiebetorrolle mit Rundrille
Rueda canal semirredondo
Колесо с полукруглым пазом



Code	Art.	Size	Finishing	Capacity Kg	Pcs/pack	Kg/pack
11505140	315i-100	Ø98	S.steel	400	2	2.76
11505150	315i-120	Ø117	S.steel	420	2	4.04
11505160	315i-140	Ø137	S.steel	540	2	6.31
11505170	315i-160	Ø157	S.steel	770	2	8.93
11505180	315i-200	Ø197	S.steel	800	2	14.48

335i W

1 BEARING

Wheel with internal plate, V groove
Galet avec platine interne, gorge V
Schiebetorrolle mit
Innenstützplatte und V-Rille
Rueda con soporte interior canal V
Колесо с внутренним
суппортом с пазом V



Code	Art.	Size	Finishing	Capacity Kg	Pcs/pack	Kg/pack
11513630	335i-V90	Ø88	S.steel	190	2	2.36
11513640	335i-V100	Ø98	S.steel	200	2	2.82
11513650	335i-V120	Ø117	S.steel	220	2	4.40

336i W

2 BEARINGS

Wheel with internal plate, V groove
Galet avec platine interne, gorge V
Schiebetorrolle mit
innenstützplatte und V-Rille
Rueda con soporte interior canal V
Колесо с внутренним
суппортом с пазом V



Code	Art.	Size	Finishing	Capacity Kg	Pcs/pack	Kg/pack
11514630	336i-90V	Ø88	S.steel	300	2	2.60
11514640	336i-100V	Ø98	S.steel	380	2	3.19
11514650	336i-120V	Ø117	S.steel	400	2	5.04

337i W

1 BEARING

Wheel with internal plate, half-rounded groove
Galet avec platine interne, gorge demi-ronde
Schiebetorrolle mit Rundrille
und Innenstützplatte
Rueda con soporte interior
canal semirredondo
Колесо с внутренним суппортом
с полукруглым пазом



Code	Art.	Size	Finishing	Capacity Kg	Pcs/pack	Kg/pack
11515130	337i-90S	Ø88	S.steel	190	2	2.25
11515140	337i-100S	Ø98	S.steel	200	2	2.73
11515150	337i-120	Ø117	S.steel	220	2	4.20

338i W

2 BEARINGS

Wheel with internal plate, half-
rounded groove and 2 bearings
Galet avec platine interne, gorge
demi-ronde et 2 roulements
Schiebetorrolle mit Rundrille,
Innenstützplatte und 2 Kugellagern
Rueda con soporte interior canal
semirredondo con 2 rodamientos
Колесо с внутренним суппортом с
полукруглым пазом с 2 подшипниками



Code	Art.	Size	Finishing	Capacity Kg	Pcs/pack	Kg/pack
11515630	338i-90	Ø88	S.steel	300	2	2.50
11515640	338i-100	Ø98	S.steel	380	2	2.99
11515650	338i-120	Ø117	S.steel	400	2	4.79

Code	Art.	Size	Finishing	Capacity Kg	Pcs/pack	Kg/pack
15400606	401i-6	Ø9	S.steel		200	0.20
15400608	401i-8	Ø12	S.steel		200	0.20
15400610	401i-10	Ø15	S.steel		200	0.40
15400611	401i-11	Ø15	S.steel		200	0.20
15400612	401i-12	Ø18	S.steel		200	0.60
15400614	401i-14	Ø19	S.steel		200	0.40



401i

Stainless steel washer
Rondelle en acier Inox
Zwischenring aus Edelstahl
Arandela de acero inoxidable
Шайба из нержавеющей стали

Code	Art.	Size	Finishing	Capacity Kg	Pcs/pack	Kg/pack
11604206	402i-60	L=58 Ø5,7	S.steel	50	20	0.84
11604208	402i-80	L=83 Ø7,7	S.steel	75	20	1.64
11604210	402i-100	L=104 Ø8,7	S.steel	100	20	2.30
11604212	402i-120	L=122 Ø9,8	S.steel	150	20	3.78
11604214	402i-140	L=144 Ø10,7	S.steel	200	20	4.36

Capacity per couple hinges, L/H=1



402i

Hinge with 2 wings and extractable pivot
Paumelle avec 2 ailes et pivot à déboîter
Anschweißband 2-teilig mit loseem Zapfen
Pernio de 2 palas con eje extraíble
Шарнир с 2 полками с вынимаемым штифтом

Code	Art.	Size	Finishing	Capacity Kg	Pcs/pack	Kg/pack
11604614	405i-140	L=145 Ø11,7	S.steel	250	20	6.14
11604617	405i-170	L=174 Ø11,7	S.steel	250	20	7.40
11604620	405i-200	L=205 Ø13,6	S.steel	350	16	8.67

Capacity per couple hinges, L/H=1



405i

Heavy hinge with 2 wings and extractable pivot
Paumelle lourde avec 2 ailes et pivot à déboîter
Anschweißband 2-teilig schwere Ausführung mit loseem Zapfen
Pernio pesado de 2 palas con eje extraíble
Тяжелый шарнир с 2 полками с вынимаемым штифтом

Code	Art.	Size	Finishing	Capacity Kg	Pcs/pack	Kg/pack
11605208	410i-80	L=83 Ø7,7	S.steel	75	20	1.66
11605210	410i-100	L=104 Ø8,7	S.steel	100	20	2.34
11605212	410i-120	L=122 Ø9,8	S.steel	150	20	3.74
11605214	410i-140	L=144 Ø10,7	S.steel	200	20	4.82

Capacity per couple hinges, L/H=1



410i

Hinge with 3 wings and extractable pivot
Paumelle avec 3 ailes et pivot à déboîter
Anschweißband 3-teilig mit loseem Zapfen
Pernio de 3 palas con eje extraíble
Шарнир с 3 полками с вынимаемым штифтом

Code	Art.	Size	Finishing	Capacity Kg	Pcs/pack	Kg/pack
11605614	415i-140	L=145 Ø11,7	S.steel	250	10	3.06
11605617	415i-170	L=174 Ø11,7	S.steel	250	20	7.44
11605620	415i-200	L=205 Ø13,6	S.steel	350	16	8.58

Capacity per couple hinges, L/H=1



415i

Heavy hinge with 3 wings and extractable pivot
Paumelle lourde avec 3 ailes et pivot à déboîter
Anschweißband 3-teilig schwere Ausführung mit loseem Zapfen
Pernio pesado de 3 palas con eje extraíble
Тяжелый шарнир с 3 полками с вынимаемым штифтом

Code	Art.	Size	Finishing	Capacity Kg	Pcs/pack	Kg/pack
11606106	420i-60	L=64 Ø5,8	S.steel	50	20	0,7
11606108	420i-80	L=89,5 Ø7,8	S.steel	75	20	1,28
11606110	420i-100	L=110 Ø8,7	S.steel	100	20	1,76
11606112	420i-120	L=130 Ø9,8	S.steel	150	20	2,8
11606114	420i-140	L=152 Ø10,8	S.steel	200	20	3,6

Capacity per couple hinges, L/H=1



420i

Plug welded hinge with 2 wings
Paumelle à 2 ailes avec bouchon soudé
Anschweißband 2-teilig mit Anweißpfropfen
Pernio de 2 palas con tapón soldado
Шарнир с 2 полками с привариваемой пробкой

425i

Heavy plug welded hinge with 2 wings

Paumelle lourde à 2 ailes
avec bouchon soudé

Anschweißband 2-teilig schwere
Ausführung mit Pfropfen

Pernio pesado de 2 palas con tapón soldado

Тяжелый шарнир с 2 полками
с привариваемой пробкой



Code	Art.	Size	Finishing	Capacity Kg	Pcs/pack	Kg/pack
11606417	425i-170	L=184,5 Ø11,8	S.steel	250	20	5.20
11606420	425i-200	L=217,5 Ø13,8	S.steel	300	20	7.80

Capacity per couple hinges, L/H=1

440i

Big hinge 2 open wings extractable
pivot with brass washer

Paumelle grande 2 ailes ouvertes pivot
à déboîter avec rondelle en laiton

Winkelband mit 2 offenen Flügeln
schwere Ausführung loser Zapfen mit
Unterlegscheibe aus Messing

Pernio grande de 2 palas abiertas eje
extraíble con arandela de latón

Большой шарнир с 2 открытыми полками с
вынимаемым штифтом с латунной шайбой



Code	Art.	Size	Finishing	Capacity Kg	Pcs/pack	Kg/pack
11607709	440i-90	L=98 Ø27	S.steel	800	4	2.25

Capacity per couple hinges, L/H=1

450i

Big hinge 2 open wings extractable
pivot with brass washer

Paumelle grande 2 ailes ouvertes pivot
à déboîter avec rondelle en laiton

Winkelband mit 2 offenen Flügeln
schwere Ausführung loser Zapfen mit
Unterlegscheibe aus Messing

Pernio grande de 2 palas eje
extraíble con arandela de latón

Большой шарнир с 2 полками с
вынимаемым штифтом с латунной шайбой



Code	Art.	Size	Finishing	Capacity Kg	Pcs/pack	Kg/pack
11608609	450i-90	L=98 Ø27	S.steel	400	4	2.16

Capacity per couple hinges, L/H=1

456i

Big hinge 2 long open wings extractable
pivot with washer and bearing

Paumelle grande 2 ailes grandes et ouvertes,
pivot à déboîter avec rondelle et roulement

Winkelband mit 2 langen offenen Flügeln
schwere Ausführung mit losem Zapfen,
Unterlegscheibe und Kugellager

Pernio grande de 2 palas largas abiertas
eje extraíble con arandela de latón

Большой шарнир с 2 длинными
открытыми полками с вынимаемым
штифтом с латунной шайбой



Code	Art.	Size	Finishing	Capacity Kg	Pcs/pack	Kg/pack
11609618	456i-180	L=186 Ø27	S.steel	800	4	4.30

Capacity per couple hinges, L/H=1

458i

Big hinge 2 closed wings extractable
pivot with brass washer

Paumelle grande 2 ailes fermées avec
pivot à déboîter et rondelle en laiton

Flachband 2-teilig schwere Ausführung mit losem
Zapfen und Unterlegscheibe aus Messing

Pernio grande de 2 palas largas cerradas
eje extraíble con arandela de latón

Большой шарнир с 2 длинными
закрытыми полками с вынимаемым
штифтом с латунной шайбой



Code	Art.	Size	Finishing	Capacity Kg	Pcs/pack	Kg/pack
11610618	458i-180	L=186 Ø27	S.steel	800	4	4.15

Capacity per couple hinges, L/H=1

460i

Big hinge 3 open wings extractable
pivot with brass washers

Paumelle grande 3 ailes ouvertes avec
pivot à déboîter et rondelles en laiton

Winkelband 3-teilig schwere Ausführung mit losem
Zapfen und Unterlegscheibe aus Messing

Pernio grande de 3 palas abiertas eje
extraíble con arandelas de latón

Большой шарнир с 3 открытыми полками с
вынимаемым штифтом с латунными шайбами



Code	Art.	Size	Finishing	Capacity Kg	Pcs/pack	Kg/pack
11611618	460i-180	L=186 Ø27	S.steel	800	4	4.30

Capacity per couple hinges, L/H=1

Code	Art.	Size	Finishing	Capacity Kg	Pcs/pack	Kg/pack
11612618	470i-180	L=186 Ø27	S.steel	800	4	4.24

Capacity per couple hinges, L/H=1



470i

Big hinge 3 closed wings extractable pivot and bearing
 Paumelle grande 3 ailes fermées pivot à déboîter avec roulement
 Winkelband mit 3 geschlossenen Flügeln schwere Ausführung mit losem Zapfen, Kugellager
 Pernio grande de 3 palas cerradas eje extraíble con rodamiento
 Большой шарнир с 3 закрытыми полками с вынимаемым штифтом с подшипником

Code	Art.	Size	Finishing	Capacity Kg	Pcs/pack	Kg/pack
11613618	480i-180	L=186 Ø27	S.steel	800	4	4.12

Capacity per couple hinges, L/H=1



480i

Big hinge 4 open wings extractable pivot with washer
 Paumelle grande 4 ailes ouvertes avec pivot à déboîter et rondelle
 Winkelband 4-teilig schwere Ausführung mit losem Zapfen und Unterlegscheibe
 Pernio grande de 4 palas abiertas con eje extraíble con arandela
 Большой шарнир с 4 открытыми полками с вынимаемым штифтом с шайбой

Code	Art.	Size	Finishing	Capacity Kg	Pcs/pack	Kg/pack
11614618	485i-180	L=186 Ø27	S.steel	800	4	4.12

Capacity per couple hinges, L/H=1



485i

Big hinge 4 closed wings extractable pivot with brass washers
 Paumelle grande 4 ailes fermées avec rondelles et pivot à déboîter
 Flachband 4-teilig schwere Ausführung mit losen Zapfen und Unterlegscheiben aus Messing
 Pernio grande de 4 palas cerradas eje extraíble con arandelas de latón
 Большой шарнир с 4 закрытыми полками с вынимаемым штифтом с латунными шайбами

Code	Art.	Size	Finishing	Capacity Kg	Pcs/pack	Kg/pack
11618615	500i-150	L=146-153 Ø14	S.steel	300	10	3.90

Capacity per couple hinges, L/H=1



500i

Turned drop hinge, 7mm adjustable, with steel pivot
 Paumelle à goutte tournée, réglable 7mm. avec pivot en acier
 Formgepresstes und 7 mm-verstellbares Tropfenband mit Zapfen aus Stahl
 Pernio gota de agua torneada eje de acero regulable 7 mm
 Шарнир "капля" обточенный с регулируемым стальным штифтом 7 мм

Code	Art.	Size	Finishing	Capacity Kg	Pcs/pack	Kg/pack
11700595	620i	☑	S.steel		50	2.10



620i

Stainless steel latch
 Verrou inox
 Riegel aus Edelstahl
 Cerrojo Acero Inox
 Засов из нержавеющей стали

Code	Art.	Size	Finishing	Capacity Kg	Pcs/pack	Kg/pack
11002610	679i	Grande Ø30	S.steel		1	0.45



679i

Straight s/s aisi 316i pull handle
 Poignée droite en acier inox aisi 316i
 Gerader Rohrförmiger Stossgriff aus Edelstahl aisi 316i
 Tirador tubular recto de acero inox. AISI 316i
 Ручка трубчатая прямая нержавеющей сталь aisi 316i

730i

Self-locking bolt to be screwed with rod Ø 12 Stroke 30mm
 Verrou autobloquant à visser avec pointe ronde Ø 12 Course 30mm
 Selbstsperrender Stangenriegel zum Anschrauben mit Stange Ø 12 Hub 30mm
 Pasador autoblocante para atornillar punta redonda Ø12 Carrera 30 mm
 Навинчивающаяся самоблокирующаяся цепь с круглым наконечником Ø12 ход 30 мм



Code	Art.	Size	Finishing	Capacity Kg	Pcs/pack	Kg/pack
11912001	730i	Ø12, Stroke 30mm	S.steel		4	1.65

732i

Automatic bolt for 2 leaf gates
 Verrous autobloquants
 Automatisch Riegel
 Cerraduras autoblocantes
 Самоблокирующиеся замки




Code	Art.	Size	Finishing	Capacity Kg	Pcs/pack	Kg/pack
11904705	732i	Stroke 21mm	S.steel		6	2.53

CGi-05

Counter plate for carriages -small
 Contre-plaque pour chariots – petit
 Gegenplatte für Laufwagen klein
 Contraplaca para carros pequeño
 Контрплита для малых тележек



Code	Art.	Size	Finishing	Capacity Kg	Pcs/pack	Kg/pack
10131305	CGi-05P	 Piccolo	S.steel		2	2.70

CGi-40

Tension bar for gate regulation
 Tirants pour réglage portails
 Ankerbolzen zur Torregulierung
 Tensores de acero galvanizado para regulaciones puertas
 Тяга из оцинкованной стали для регулирования ворот




Code	Art.	Size	Finishing	Capacity Kg	Pcs/pack	Kg/pack
10131200	CGi-40	□ 60x60, d=3	S.steel		1	1.60

CGi-251

Adjustable gate guide plate to be fixed with long wing
 Plaque guide portail réglable à fixer avec aile longue
 Verstellbare Torführungsplatte mit langem Flügel zum Aufschrauben
 Placa de guía de la puerta regulable con ala larga para fijar
 Пластина регулируемая направляющая ворот с длинной прикрепляемой полкой



Code	Art.	Size	Finishing	Capacity Kg	Pcs/pack	Kg/pack
11310305	CGi-251	 L=350 Ø40	S.steel		1	6.70

CGi-345P

Monorail in stainless steel for cantilever gates
 Rail en aluminium extrudé pour portails autoportants
 Einfachschiene aus fließgepresstem Aluminium für selbsttragende Tore
 Monocarril de acero inoxidable para puertas autoportantes
 Монорельс из нержавеющей стали для ворот из нержавеющей стали



Code	Art.	Size	Finishing	Capacity Kg	Pcs/pack	Kg/pack
10207505	CGi-345P	L=3000	S.steel		1	32.27
10207507	CGi-345P	L=6000	S.steel		1	72.54

Code	Art.	Size	Finishing	Capacity Kg	Pcs/pack	Kg/pack
10706005	CGi-346P	Piccolo	S.steel		2	3.51



CGi-346

Bottom end cup to be fixed
Butée inférieure à fixer
Unterauflageschuh zum Aufschrauben
Encuentro inferior para fijar
Прикрепляемый нижний упор

Code	Art.	Size	Finishing	Capacity Kg	Pcs/pack	Kg/pack
10705305	CGi-347P	Piccolo	S.steel		2	3.40



CGi-347

End wheel for monorail
Galet d'extrémité pour rail
Endrad für Einfachschiene
Rueda terminal para monocarril
Концевое колесо монорельса

Code	Art.	Size	Finishing	Capacity Kg	Pcs/pack	Kg/pack
10130705	CGi-348	M16	S.steel		12	8.32

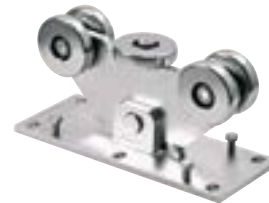


CGi-348

Threaded tie rods for carriages
CGS 350 and CGS 350.8
Tirant fileté pour chariots
CGS 350 et CGS 350.8
Gewindestange für Laufwagen
CGS 350 und CGS 350.8
Anclaje roscado para carros
CGS 350 y CGS 350.8
Резьбовое анкерное крепление
для тележек CGS 350 и CGS 350.8

Code	Art.	Size	Finishing	Capacity Kg	Pcs/pack	Kg/pack
10130305	CGi-350P	Piccolo	S.steel	1000	1	10.95

Maximum vertical force on the carriage due to the weight of the cantilevered gate



CGi-350.5P

5 wheels cantilever carriage for gates
Chariot autoportant 5
roues pour portails
5-rädriger Laufwagen für
freitragende Tore
Carro autoportante 5 ruedas
para puertas correderas
Самонесущая тележка 5
колес для откидных ворот

Code	Art.	Size	Finishing	Pcs/pack	Kg/pack
11400639	RG-30i P 2MT	15x15 L=80 H=23	S.steel	1	9,00
11400634	RG-30i G 2MT	20x20 L=88 H=24	S.steel	1	10,80

See Ranger: page 86



RGi-30

Rack track to be bolted (P= for 97 mm and 117 mm wheels, G= for 148 mm wheels)
Rail et crémaillère à visser (P= pour galets de Ø 97 et 117 mm, G= pour galets de Ø 148 mm)
Rackschiene zur Befestigung (P= für Rädern von 97 - 117 mm, G= für Rädern von 148 mm)
Carril y cremallera a fijar (P= por ruedas de Ø 97 y Ø 117 mm, G= por ruedas de Ø 148 mm)
Прикрепляемый зубчатый рельс (P= для колес 97 мм и 117 мм, G= для колес 148 мм)

Code	Art.	Size	Finishing	Pcs/pack	Kg/pack
GEE000BXNIS00	EAGLE BOX-INOX	404x331H 170/214	S.steel	1	11,5

COMUNELLO
AUTOMATION



EAGLE BOX-INOX

Foundation box inox, arm kit included
Boîtier de fondation en acier
inoxydable avec kit bras et leviers
Stahlfundamentkasten, inklusive Arm Kit
Grupo caja de fundación en acero
inoxidable con kit brazos y cammas
стали основной коробка,
комплект рука включены



Life
made
easy



HEXT

HANDLES. WITH CARE.

2000



Round bar handle, "U" shape
Poignée ronde, forme "U"
Stoßgriff mit rundem Profil, "U" Form
Tirador de barra redonda, forma de "U"
Ручка круглая, "U"-образная

Code	Art.	Material	Finishing	Ø	I	L	H	B	Øc	Pcs/pack	Kg/pack
M200B001XB009	2-0122-009	S. Steel 316L	Polished	20	200	60				2	0,67
M200B001XB010	2-0122-010	S. Steel 316L	Satin	20	200	60				2	0,67
M200B002XB009	2-0125-009	S. Steel 316L	Polished	20	350	60				2	1,26
M200B002XB010	2-0125-010	S. Steel 316L	Satin	20	350	60				2	1,06
N200C012XB009	2-0142-009	S. Steel 316L	Polished	25	250	70				2	1,04
N200C012XB010	2-0142-010	S. Steel 316L	Satin	25	250	70				2	1,04
N200C003XB009	2-0144-009	S. Steel 316L	Polished	25	300	70				2	1,18
N200C003XB010	2-0144-010	S. Steel 316L	Satin	25	300	70				2	1,18
N200D001XB009	2-0164-009	S. Steel 316L	Polished	30	300	85				2	1,23
N200D001XB010	2-0164-010	S. Steel 316L	Satin	30	300	85				2	1,23
N200D002XB009	2-0166-009	S. Steel 316L	Polished	30	350	85				2	1,37
N200D002XB010	2-0166-010	S. Steel 316L	Satin	30	350	85				2	1,37
N200D003XB009	2-0168-009	S. Steel 316L	Polished	30	650	85				2	2,40
N200D003XB010	2-0168-010	S. Steel 316L	Satin	30	650	85				2	2,40
N200E001XB009	2-0182-009	S. Steel 316L	Polished	35	350	85				2	1,56
N200E001XB010	2-0182-010	S. Steel 316L	Satin	35	350	85				2	1,56
N200E002XB009	2-0186-009	S. Steel 316L	Polished	35	650	85				2	2,55
N200E002XB010	2-0186-010	S. Steel 316L	Satin	35	650	85				2	2,55
N200D902XB010	2-0166E-010	S. Steel 304	Satin	30	350	85				2	1,37
M200C003XA604	2-0744-604	Aluminium	Silver Anodized Satin	25	300	70				2	0,68
M200D010XA604	2-0762-604	Aluminium	Silver Anodized Satin	30	230	85				2	0,72
M200D001XA604	2-0764-604	Aluminium	Silver Anodized Satin	30	300	85				2	0,85
M200D006XA604	2-0765-604	Aluminium	Silver Anodized Satin	30	320	85				2	0,89
M200D006XA503	2-0765-503	Aluminium	Black	30	320	85				2	0,89
M200D002XA604	2-0766-604	Aluminium	Silver Anodized Satin	30	350	85				2	0,95
M200E001XA503	2-0782-503	Aluminium	Black	35	350	85				2	1,19
M200E002XA604	2-0786-604	Aluminium	Silver Anodized Satin	35	650	85				2	1,92
M200E002XA503	2-0786-503	Aluminium	Black	35	650	85				2	1,92

DOWNLOAD THE FORM



SPECIAL	Material	Finishing	Ø	I	H
SP-2000-Ø-I	S. Steel	Polished			
SP-2000-Ø-I	S. Steel	Satin			
SP-2000-Ø-I	Aluminium	Painted			
SP-2000-Ø-I	Aluminium	Anodized			

2100



Round bar handle, arch shape with supports with elliptical base
Poignée ronde, forme arquée avec supports à base elliptique
Stoßgriff mit rundem Profil, Bogenform mit Stützen mit elliptischer Grundfläche
Tirador de barra redonda, forma de arco con soportes con base elíptica
Круглая ручка, арочная форма, опоры с эллиптическим основанием

Code	Art.	Material	Finishing	Ø	I	L	H	B	Øc	Pcs/pack	Kg/pack
N210C003XB009	2-1143-009	S. Steel 316L	Polished	25	350	412	75	107		2	1,87
N210C003XB010	2-1143-010	S. Steel 316L	Satin	25	350	412	75	107		2	1,87
N210C002XB009	2-1147-009	S. Steel 316L	Polished	25	700	849	75	106		2	2,90
N210C002XB010	2-1147-010	S. Steel 316L	Satin	25	700	849	75	106		2	2,90
N210D001XB009	2-1163-009	S. Steel 316L	Polished	30	350	412	75	110		2	2,27
N210D001XB010	2-1163-010	S. Steel 316L	Satin	30	350	412	75	110		2	2,27
N210D002XB009	2-1165-009	S. Steel 316L	Polished	30	500	602	75	110		2	2,62
N210D002XB010	2-1165-010	S. Steel 316L	Satin	30	500	602	75	110		2	2,62
N210D003XB009	2-1167-009	S. Steel 316L	Polished	30	700	849	75	110		2	3,48
N210D003XB010	2-1167-010	S. Steel 316L	Satin	30	700	849	75	110		2	3,48
N210D902XB010	2-1165E-010	S. Steel 304	Satin	30	500	602	75	110		2	2,62
N210D903XB010	2-1167E-010	S. Steel 304	Satin	30	700	849	75	110		2	3,48
M210D001XA604	2-1763-604	Aluminium	Silver Anodized Satin	30	350	412	75	110		2	1,21
M210D003XA604	2-1767-604	Aluminium	Silver Anodized Satin	30	700	849	75	110		2	1,88

Code	Art.	Material	Finishing	Ø	I	L	H	B	Øc	Pcs/pack	Kg/pack
N220C001XB009	2-2146-009	S. Steel 316L	Polished	25	350	70	126			2	1,73
N220C001XB010	2-2146-010	S. Steel 316L	Satin	25	350	70	126			2	1,73
N220D001XB009	2-2164-009	S. Steel 316L	Polished	30	300	85	145			2	1,62
N220D001XB010	2-2164-010	S. Steel 316L	Satin	30	300	85	145			2	1,62
N220D002XB009	2-2166-009	S. Steel 316L	Polished	30	350	85	145			2	1,77
N220D002XB010	2-2166-010	S. Steel 316L	Satin	30	350	85	145			2	1,77
N220E001XB009	2-2182-009	S. Steel 316L	Polished	35	350	85	155			2	2,05
N220E001XB010	2-2182-010	S. Steel 316L	Satin	35	350	85	155			2	2,05
N220E002XB009	2-2186-009	S. Steel 316L	Polished	35	650	85	155			2	3,03
N220E002XB010	2-2186-010	S. Steel 316L	Satin	35	650	85	155			2	3,03
N220D902XB010	2-2166E-010	S. Steel 304	Satin	30	350	85	145			2	1,77
M220D005XA503	2-2762-503	Aluminium	Black	30	230	85	145			2	0,94
M220D005XA604	2-2762-604	Aluminium	Silver Anodized Satin	30	230	85	145			2	0,94
M220D001XA503	2-2764-503	Aluminium	Black	30	300	85	145			2	1,07
M220D001XA604	2-2764-604	Aluminium	Silver Anodized Satin	30	300	85	145			2	1,07
M220D002XA604	2-2766-604	Aluminium	Silver Anodized Satin	30	350	85	145			2	1,17
M220D002XA503	2-2766-503	Aluminium	Black	30	350	85	145			2	1,17
M220E001XA503	2-2782-503	Aluminium	Black	35	350	85	155			2	1,50
M220E001XA604	2-2782-604	Aluminium	Silver Anodized Satin	35	350	85	155			2	1,50

2200



Round bar handle, with double curvature
Poignée de barre ronde, à double courbure
Stoßgriff mit rundem Profil, doppelte Biegung
Tirador de barra redonda, con doble curvatura
Ручка круглая, с двойной изгибной

SPECIAL	Material	Finishing	Ø	I	H	B
SP-2200-Ø-I	S. Steel	Polished				
SP-2200-Ø-I	S. Steel	Satin				
SP-2200-Ø-I	Aluminium	Painted				
SP-2200-Ø-I	Aluminium	Anodized				

DOWNLOAD THE FORM



Code	Art.	Material	Finishing	Ø	I	L	H	B	Øc	Pcs/pack	Kg/pack
N260D001XB009	2-6165-009	S. Steel 316L	Polished	30	300	85	225			2	1,78
N260D001XB010	2-6165-010	S. Steel 316L	Satin	30	300	85	225			2	1,78
N260D002XB009	2-6167-009	S. Steel 316L	Polished	30	350	85	245			2	1,96
N260D002XB010	2-6167-010	S. Steel 316L	Satin	30	350	85	245			2	1,96
N260E001XB009	2-6183-009	S. Steel 316L	Polished	35	300	85	230			2	2,05
N260E001XB010	2-6183-010	S. Steel 316L	Satin	35	300	85	230			2	2,05
N260E002XB009	2-6185-009	S. Steel 316L	Polished	35	350	85	260			2	2,31
N260E002XB010	2-6185-010	S. Steel 316L	Satin	35	350	85	260			2	2,31
N260D902XB010	2-6167E-010	S. Steel 304	Satin	30	350	85	245			2	1,96
M260D001XA503	2-6765-503	Aluminium	Black	30	300	85	225			2	1,16
M260D001XA604	2-6765-604	Aluminium	Silver Anodized Satin	30	300	85	225			2	1,16
M260D002XA503	2-6767-503	Aluminium	Black	30	350	85	245			2	1,28
M260D002XA604	2-6767-604	Aluminium	Silver Anodized Satin	30	350	85	245			2	1,28
M260E001XA503	2-6783-503	Aluminium	Black	35	300	85	230			2	1,49
M260E001XA604	2-6783-604	Aluminium	Silver Anodized Satin	35	300	85	230			2	1,49
M260E002XA503	2-6785-503	Aluminium	Black	35	350	85	260			2	1,68
M260E002XA604	2-6785-604	Aluminium	Silver Anodized Satin	35	350	85	260			2	1,68

2600



Round bar handle with semicircular curvature
Poignée de barre ronde, avec courbure semi-circulaire
Stoßgriff mit rundem Profil, halbkreisförmige Biegung
Tirador de barra redonda con curvatura semicircular
Круглая ручка с полукруглым изгибом

Code	Art.	Material	Finishing	Ø	I	L	H	B	Øc	Pcs/pack	Kg/pack
N270D001XB009	2-7163-009	S. Steel 316L	Polished	30	300	85	159			2	1,45
N270D001XB010	2-7163-010	S. Steel 316L	Satin	30	300	85	159			2	1,45
N270D002XB009	2-7165-009	S. Steel 316L	Polished	30	350	85	184			2	1,64
N270D002XB010	2-7165-010	S. Steel 316L	Satin	30	350	85	184			2	1,64
N270E002XB009	2-7185-009	S. Steel 316L	Polished	35	350	85	188			2	1,87
N270E002XB010	2-7185-010	S. Steel 316L	Satin	35	350	85	188			2	1,87
N270E003XB009	2-7188-009	S. Steel 316L	Polished	35	425	85	226			2	2,19
N270E003XB010	2-7188-010	S. Steel 316L	Satin	35	425	85	226			2	2,19
N270D902XB010	2-7165E-010	S. Steel 304	Satin	30	350	85	184			2	1,64
M270D001XA503	2-7763-503	Aluminium	Black	30	300	85	159			2	0,97
M270D001XA604	2-7763-604	Aluminium	Silver Anodized Satin	30	300	85	159			2	0,97
M270D002XA503	2-7765-503	Aluminium	Black	30	350	85	184			2	1,10
M270D002XA604	2-7765-604	Aluminium	Silver Anodized Satin	30	350	85	184			2	1,10
M270E003XA503	2-7788-503	Aluminium	Black	35	425	85	226			2	1,62
M270E003XA604	2-7788-604	Aluminium	Silver Anodized Satin	35	425	85	226			2	1,62

2700



Round L-shaped curved bar handle
Poignée de barre ronde, en forme incurvée en "L"
Stoßgriff mit rundem Profil, mit "L" Biegung
Tirador curvo redondo en forma de "L"
Круглая изогнутая "L"-образная ручка

2800



Round "Z" curved bar handle
Poignée de barre courbée ronde en "Z"
Stoßgriff mit rundem Profil, mit "Z" Biegung
Tirador de barra curva redonda en "Z"
Круглая изогнутая "Z"-образная ручка

Code	Art.	Material	Finishing	Ø	I	L	H	B	Øc	Pcs/pack	Kg/pack
N280D002DB009	2-8166-009 DX	S. Steel 316L	Polished	30	1200	85	145			1	2,02
N280D002DB010	2-8166-010 DX	S. Steel 316L	Satin	30	1200	85	145			1	2,02
N280D002SB009	2-8166-009 SX	S. Steel 316L	Polished	30	1200	85	145			1	2,02
N280D002SB010	2-8166-010 SX	S. Steel 316L	Satin	30	1200	85	145			1	2,02
N280E002DB009	2-8186-009 DX	S. Steel 316L	Polished	35	1200	85	155			1	2,30
N280E002DB010	2-8186-010 DX	S. Steel 316L	Satin	35	1200	85	155			1	2,30
N280E002SB009	2-8186-009 SX	S. Steel 316L	Polished	35	1200	85	155			1	2,30
N280E002SB010	2-8186-010 SX	S. Steel 316L	Satin	35	1200	85	155			1	2,30
M280E002DA604	2-8786-604 DX	Aluminium	Silver Anodized Satin	35	1200	85	155			1	1,71
M280E002SA604	2-8786-604 SX	Aluminium	Silver Anodized Satin	35	1200	85	155			1	1,71
M280E002DA503	2-8786-503 DX	Aluminium	Black	35	1200	85	155			1	1,71
M280E002SA503	2-8786-503 SX	Aluminium	Black	35	1200	85	155			1	1,71

2900



Round bar handle, arch shape, supports with round base
Poignée de barre ronde, forme d'arc, supports avec base ronde
Stoßgriff mit rundem Profil, Bogenform mit Stützen mit runder Grundfläche
Tirador de barra redonda, forma de arco con soportes con base redonda
Круглая ручка, форма арки, опоры с круглым основанием

Code	Art.	Material	Finishing	Ø	I	L	H	B	Øc	Pcs/pack	Kg/pack
N290D001XB009	2-9165-009	S. Steel 316L	Polished	30	350	85	98			2	1,45
N290D001XB010	2-9165-010	S. Steel 316L	Satin	30	350	85	98			2	1,45
N290E001XB009	2-9185-009	S. Steel 316L	Polished	35	350	85	103			2	1,65
N290E001XB010	2-9185-010	S. Steel 316L	Satin	35	350	85	103			2	1,65
M290D001XA604	2-9765-604	Aluminium	Silver Anodized Satin	30	350	85	98			2	0,99
M290D002XA604	2-9768-604	Aluminium	Silver Anodized Satin	30	500	85	118			2	1,29
M290E002XA604	2-9788-604	Aluminium	Silver Anodized Satin	35	500	85	123			2	1,62

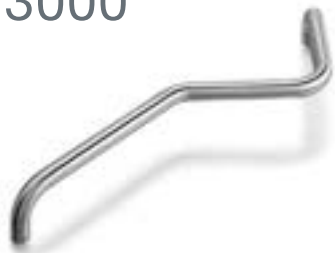
2902



Round bar handle, calendered arch shape with round base supports
Poignée de barre ronde, forme d'arc calandré avec supports de base ronds
Stoßgriff mit rundem Profil, kalandrierte Bogenform mit Stützen mit runder Grundfläche
Tirador de barra redonda, forma de arco calandrado con soportes de base redonda
Ручка с круглым стержнем, каландрированная арочная форма с опорами на круглом основании

Code	Art.	Material	Finishing	Ø	I	L	H	B	Øc	Pcs/pack	Kg/pack
N292D002XB009	2-9262-009	S. Steel 316L	Polished	30	300	85	180			2	1,58
N292D002XB010	2-9262-010	S. Steel 316L	Satin	30	300	85	180			2	1,58
N292D001XB009	2-9265-009	S. Steel 316L	Polished	30	425	85	180			2	1,83
N292D001XB010	2-9265-010	S. Steel 316L	Satin	30	425	85	180			2	1,83
N292E001XB009	2-9283-009	S. Steel 316L	Polished	35	350	85	185			2	1,90
N292E001XB010	2-9283-010	S. Steel 316L	Satin	35	350	85	185			2	1,90
M292D002XA604	2-9862-604	Aluminium	Silver Anodized Satin	30	300	85	180			2	1,05
M292E001XA503	2-9883-503	Aluminium	Black	35	350	85	185			2	1,41
M292E001XA604	2-9883-604	Aluminium	Silver Anodized Satin	35	350	85	185			2	1,41

3000



Round bar handle, high curved "L" shaped handgrip
Poignée ronde, prise haute en forme de "L" incurvée
Stoßgriff mit rundem Profil, höherer Handgriff geformt mit "L" Biegung
Tirador redondo, empuñadura en forma de "L" curvada alta
Ручка с круглым стержнем, рукоятка в форме буквы «L» с высоким изгибом

Code	Art.	Material	Finishing	Ø	I	L	H	B	Øc	Pcs/pack	Kg/pack
N300D001DB009	3-0166-009 DX	S. Steel 316L	Polished	30	650	85	165			1	1,24
N300D001DB010	3-0166-010 DX	S. Steel 316L	Satin	30	650	85	165			1	1,24
N300D001SB009	3-0166-009 SX	S. Steel 316L	Polished	30	650	85	165			1	1,24
N300D001SB010	3-0166-010 SX	S. Steel 316L	Satin	30	650	85	165			1	1,24

Code	Art.	Material	Finishing	Ø	I	L	H	B	Øc	Pcs/pack	Kg/pack
N400C002XB009	4-0042-009	S. Steel 316L	Polished	25	300	450	70	25	2	2	1,74
N400C002XB010	4-0042-010	S. Steel 316L	Satin	25	300	450	70	25	2	2	1,74
N400C001XB009	4-0048-009	S. Steel 316L	Polished	25	500	650	70	25	2	2	2,36
N400C001XB010	4-0048-010	S. Steel 316L	Satin	25	500	650	70	25	2	2	2,36
N400C016XB009	4-0050-009	S. Steel 316L	Polished	25	800	1000	70	25	2	2	3,32
N400C016XB010	4-0050-010	S. Steel 316L	Satin	25	800	1000	70	25	2	2	3,32
N400C007XB009	4-0052-009	S. Steel 316L	Polished	25	1000	1150	70	25	2	2	3,89
N400C007XB010	4-0052-010	S. Steel 316L	Satin	25	1000	1150	70	25	2	2	3,89
N400C069XB009	4-0054-009	S. Steel 316L	Polished	25	1200	1600	70	25	2	2	4,94
N400C069XB010	4-0054-010	S. Steel 316L	Satin	25	1200	1600	70	25	2	2	4,94
N400D002XB009	4-0064-009	S. Steel 316L	Polished	30	350	500	75	25	2	2	2,22
N400D002XB010	4-0064-010	S. Steel 316L	Satin	30	350	500	75	25	2	2	2,22
N400D003XB009	4-0066-009	S. Steel 316L	Polished	30	500	650	75	25	2	2	2,75
N400D003XB010	4-0066-010	S. Steel 316L	Satin	30	500	650	75	25	2	2	2,75
N400D004XB009	4-0068-009	S. Steel 316L	Polished	30	650	800	75	25	2	2	3,29
N400D004XB010	4-0068-010	S. Steel 316L	Satin	30	650	800	75	25	2	2	3,29
N400D028XB009	4-0061-009	S. Steel 316L	Polished	30	1000	1150	75	25	2	2	4,53
N400D028XB010	4-0061-010	S. Steel 316L	Satin	30	1000	1150	75	25	2	2	4,53
N400E001XB009	4-0082-009	S. Steel 316L	Polished	35	350	500	80	30	2	2	2,50
N400E001XB010	4-0082-010	S. Steel 316L	Satin	35	350	500	80	30	2	2	2,50
N400E002XB009	4-0085-009	S. Steel 316L	Polished	35	500	650	80	30	2	2	3,11
N400E002XB010	4-0085-010	S. Steel 316L	Satin	35	500	650	80	30	2	2	3,11
N400D901XB010	4-0062E-010	S. Steel 304	Satin	30	300	450	75	25	2	2	2,10
N400D902XB010	4-0064E-010	S. Steel 304	Satin	30	350	500	75	25	2	2	2,22
N400D903XB010	4-0066E-010	S. Steel 304	Satin	30	500	650	75	25	2	2	2,76
N400D928XB010	4-0070E-010	S. Steel 304	Satin	30	1000	1150	75	25	2	2	4,54

4000



Handle with round bar and spacers
Poignée avec barre ronde et supports
Stoßgriff mit rundem Profil und Abstandhalter
Tirador con barra redonda y sopportes
Рукоятка с круглым стержнем и распорками

SPECIAL	Material	Finishing	Ø	I	L	H	Øc
SP-4000-Ø-I	S. Steel	Polished					
SP-4000-Ø-I	S. Steel	Satin					

DOWNLOAD THE FORM



Code	Art.	Material	Finishing	Ø	I	L	H	B	Øc	Pcs/pack	Kg/pack
N411C001XB009	4-0142-009	S. Steel 316L	Polished	25	300	450	93	109	25	2	2,12
N411C001XB010	4-0142-010	S. Steel 316L	Satin	25	300	450	93	109	25	2	2,12
N411D001XB009	4-0164-009	S. Steel 316L	Polished	30	350	500	93	109	25	2	2,60
N411D001XB010	4-0164-010	S. Steel 316L	Satin	30	350	500	93	109	25	2	2,60
N411D002XB009	4-0166-009	S. Steel 316L	Polished	30	500	650	93	109	25	2	3,13
N411D002XB010	4-0166-010	S. Steel 316L	Satin	30	500	650	93	109	25	2	3,13
N411D003XB009	4-0168-009	S. Steel 316L	Polished	30	650	800	93	109	25	2	3,67
N411D003XB010	4-0168-010	S. Steel 316L	Satin	30	650	800	93	109	25	2	3,67
N411D004XB009	4-0161-009	S. Steel 316L	Polished	30	1000	1150	93	109	25	2	4,90
N411D004XB010	4-0161-010	S. Steel 316L	Satin	30	1000	1150	93	109	25	2	4,90
N411E002XB009	4-0185-009	S. Steel 316L	Polished	35	500	650	91	109	30	2	3,50
N411E002XB010	4-0185-010	S. Steel 316L	Satin	35	500	650	91	109	30	2	3,50
N411C901XB010	4-0142E-010	S. Steel 304	Satin	25	300	450	93	109	25	2	2,12
N411D901XB010	4-0164E-010	S. Steel 304	Satin	30	350	500	93	109	25	2	2,60
N411D902XB010	4-0166E-010	S. Steel 304	Satin	30	500	650	93	109	25	2	3,13
N411D903XB010	4-0168E-010	S. Steel 304	Satin	30	650	800	93	109	25	2	3,67
N411D904XB010	4-0161E-010	S. Steel 304	Satin	30	1000	1150	93	109	25	2	4,90
N411E902XB010	4-0185E-010	S. Steel 304	Satin	35	500	650	91	109	30	2	3,50

4010



Handle with round bar and 45° inclined spacers
Poignée avec barre ronde et supports inclinées à 45°
Stoßgriff mit rundem Profil und 45° geneigte Abstandhalter
Tirador con barra redonda y sopportes inclinados a 45°
Рукоятка с круглым стержнем и наклонные распорки под углом 45°

SPECIAL	Material	Finishing	Ø	I	L	H	B	Øc
SP-4010-Ø-I	S. Steel	Polished						
SP-4010-Ø-I	S. Steel	Satin						

DOWNLOAD THE FORM



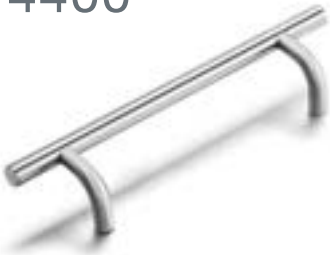
4300



Code	Art.	Material	Finishing	Ø	I	L	H	B	Øc	Pcs/pack	Kg/pack
N430D001XB009	4-3064-009	S. Steel 316L	Polished	30	300	75	175	25	2	2,04	
N430D001XB010	4-3064-010	S. Steel 316L	Satin	30	300	75	175	25	2	2,04	
N430E001XB009	4-3085-009	S. Steel 316L	Polished	35	350	80	210	30	2	2,66	
N430E001XB010	4-3085-010	S. Steel 316L	Satin	35	350	80	210	30	2	2,66	

Round bar handle with semicircular curvature and reduced spacers
 Poignée ronde avec courbure semi-circulaire et supports réduites
 Stoßgriff mit rundem Profil, mit halbkreisförmiger Biegung und verkürzte Abstandhalter
 Tirador de barra redonda con curvatura semicircular y sopportes reducidos
 Круглая ручка с полукруглой кривизной и уменьшенными проставками

4400



Code	Art.	Material	Finishing	Ø	I	L	H	B	Øc	Pcs/pack	Kg/pack
N440D001XB009	4-4062-009	S. Steel 316L	Polished	30	350	500	85	108	25	2	2,54
N440D001XB010	4-4062-010	S. Steel 316L	Satin	30	350	500	85	108	25	2	2,54
N440D002XB009	4-4064-009	S. Steel 316L	Polished	30	500	650	85	108	25	2	3,07
N440D002XB010	4-4064-010	S. Steel 316L	Satin	30	500	650	85	108	25	2	3,07
N440E001XB009	4-4082-009	S. Steel 316L	Polished	35	350	500	88	113	30	2	2,98
N440E001XB010	4-4082-010	S. Steel 316L	Satin	35	350	500	88	113	30	2	2,98
N440E002XB009	4-4084-009	S. Steel 316L	Polished	35	500	650	88	113	30	2	3,59
N440E002XB010	4-4084-010	S. Steel 316L	Satin	35	500	650	88	113	30	2	3,59
N440E003XB009	4-4088-009	S. Steel 316L	Polished	35	900	1050	88	113	30	2	5,21
N440E003XB010	4-4088-010	S. Steel 316L	Satin	35	900	1050	88	113	30	2	5,21

Handle with round bar and reduced calendered spacers
 Poignée avec barre ronde et entretoises calandrées réduites
 Stoßgriff mit rundem Profil und verkürzte kalandrierte Abstandhalter
 Tirador con barra redonda y espaciadores calandrados reducidos
 Ручка с круглым стержнем и уменьшенными каландрированными проставками

DOWNLOAD THE FORM



SPECIAL	Material	Finishing	Ø	I	L	H	B
SP-4400-Ø-I	S. Steel	Polished					
SP-4400-Ø-I	S. Steel	Satin					

4802



Code	Art.	Material	Finishing	Ø	I	L	H	B	Øc	Pcs/pack	Kg/pack
N482C001XB010	4-8244-010	S. Steel 316L	Satin	25	400	500	70	120	25	2	2,14

Round bar handle, curved "L" shaped central handgrip and supports
 Poignée de barre ronde, prise centrale courbée en forme de «L» et supports
 Stoßgriff mit rundem Profil, zentralen Handgriff geformt mit "L" Biegung und Stützen
 Tirador de barra redonda, empuñadura central curva en forma de "L" y sopportes
 Круглая ручка, изогнутая L-образная центральная ручка и опоры

5000



Code	Art.	Material	Finishing	Ø	I	L	H	B	Øc	Pcs/pack	Kg/pack
M500B003XB010	5-0025-010	S. Steel 316L	Satin	20	350	60				2	0,95
N500C002XB010	5-0045-010	S. Steel 316L	Satin	25	300	65				2	1,01
N500D004XB010	5-0065-010	S. Steel 316L	Satin	30	350	70				2	1,60
N500E002XB010	5-0085-010	S. Steel 316L	Satin	35	350	75				2	1,63

DOWNLOAD THE FORM



SPECIAL	Material	Finishing	Ø	I	H
SP-5000-Ø-I	S. Steel	Polished			
SP-5000-Ø-I	S. Steel	Satin			

Round bar handle, "U" shape with corner
 Poignée ronde, forme "U" avec angle
 Stoßgriff mit rundem Profil, "U" Form mit Kante
 Tirador de barra redonda, forma de "U" con esquina
 Ручка круглая, П-образная с уголком

Code	Art.	Material	Finishing	Ø	I	L	H	B	Øc	Pcs/pack	Kg/pack
N520C001XB010	5-2046-010	S. Steel 316L	Satin	25	350		65	80		2	1,42
N520D003XB010	5-2066-010	S. Steel 316L	Satin	30	350		70	100		2	1,81
N520E003XB010	5-2086-010	S. Steel 316L	Satin	35	350		75	115		2	2,15



Round bar handle, "U" shape with corner, double curvature
 Poignée ronde, forme "U" avec angle, double courbure
 Stoßgriff mit rundem Profil, "U" Form mit Kante, doppelte Biegung
 Tirador de barra redonda, forma de "U" con esquina, doble curvatura
 Ручка круглая, угловая U-образная, двойная кривизна

Code	Art.	Material	Finishing	Ø	I	L	H	B	Øc	Pcs/pack	Kg/pack
N530E001XB010	5-3085-010	S. Steel 316L	Satin	35	350		75	188		2	1,75



Round corner bar handle, curved "L" shape
 Poignée de barre d'angle rond, forme en «L» courbé
 Stoßgriff mit rundem Profil, "L" Biegung mit Kante
 Tirador de barra de esquina redonda, forma de "L" curva
 Круглая угловая ручка, изогнутая L-образная форма

Code	Art.	Material	Finishing	Ø	I	L	H	B	Øc	Pcs/pack	Kg/pack
N540C001XB010	5-4043-010	S. Steel 316L	Satin	25	250		60	64		2	0,95
N540D003XB010	5-4062-010	S. Steel 316L	Satin	30	300		70	78		2	1,38
N540D001XB010	5-4065-010	S. Steel 316L	Satin	30	350		70	84		2	1,56
N540D002XB010	5-4068-010	S. Steel 316L	Satin	30	600		70	145		2	2,55
N540E001XB010	5-4082-010	S. Steel 316L	Satin	35	350		75	89		2	1,82
N540E002XB010	5-4085-010	S. Steel 316L	Satin	35	500		75	123		2	2,48
N540E003XB010	5-4088-010	S. Steel 316L	Satin	35	700		75	148		2	3,32
N540D901XB010	5-4065E-010	S. Steel 304	Satin	30	350		70	84		2	1,56
N540D908XB010	5-4066E-010	S. Steel 304	Satin	30	500		70	120		2	2,24



Calendared handle, round bar with corner supports
 Poignée calandree, barre ronde avec supports avec angle
 Stoßgriff mit rundem Profil, kalandriert mit kantigeren Stützen
 Tirador calandrado, barra redonda con soportes con esquina
 Каландрированная ручка, круглая планка с угловыми опорами

Code	Art.	Material	Finishing	Ø	I	L	H	B	Øc	Pcs/pack	Kg/pack
N550D001XB010	5-5063-010	S. Steel 316L	Satin	30	300		70	188		2	1,58



Round corner bar handle, curved "L" shape, 45° angle
 Poignée de barre avec angle ronde, forme en «L» courbé, angle de 45°
 Stoßgriff rundem Profil mit Kante, mit 45° "L" Biegung
 Tirador de barra con esquina redonda, forma de "L" curva, ángulo de 45°
 Круглая угловая ручка, изогнутая изогнутая L-образная форма, угол 45°

7000



Corner bar handle, square section
Poignée de barre avec angle, section carrée
Stoßgriff mit 4/eckiges Profil und Kante
Tirador barra con esquina, sección cuadrada
Ручка угловая, квадратное сечение

Code	Art.	Material	Finishing	Ø	I	L	H	B	Øc	Pcs/pack	Kg/pack
N700D002XB010	7-0064-010	S. Steel 316L	Satin	30X30	300	330	75			2	1,40
N700D009XB010	7-0086-010	S. Steel 316L	Satin	30X30	650	680	75			2	2,60

DOWNLOAD THE FORM



SPECIAL	Material	Finishing	Ø	I	H
SP-7000-Ø-I	S. Steel	Satin			

7100



Square handgrip handle, reduced straight square supports
Poignée carrée, supports carrés droits réduits
Stoßgriff mit 4/eckiges Handgriff, 4/eckigen verkürzten Stützen
Tirador de barra cuadrada, soportes cuadrados rectos reducidos
Квадратная рукоятка, уменьшенные прямые квадратные опоры

Code	Art.	Material	Finishing	Ø	I	L	H	B	Øc	Pcs/pack	Kg/pack
N710D001XB010	7-1036-010	S. Steel 316L	Satin	30X30	350	500	75		25X25	2	1,92
N710D006XB010	7-1066-010	S. Steel 316L	Satin	30X30	500	650	75		25X25	2	2,40
N710D002XB010	7-1076-010	S. Steel 316L	Satin	30X30	650	800	75		25X25	2	3,00
N710D010XB010	7-1067-010	S. Steel 316L	Satin	30X30	1050	1200	75		25X25	2	4,59
N710D901XB010	7-1036E-010	S. Steel 304	Satin	30X30	350	500	75		25X25	2	2,00
N710D906XB010	7-1066E-010	S. Steel 304	Satin	30X30	500	650	75		25X25	2	2,40
N710D902XB010	7-1076E-010	S. Steel 304	Satin	30X30	650	800	75		25X25	2	3,00

DOWNLOAD THE FORM



SPECIAL	Material	Finishing	Ø	I	H
SP-7100-Ø-I	S. Steel	Satin	30		75

7110



Handle with square handgrip, inclined square supports
Poignée avec prise carrée, supports carrés inclinés
Stoßgriff mit 4/eckiges Handgriff, 4/eckigen geneigten Stützen
Tirador con empuñadura cuadrada, soportes cuadrados inclinados
Рукоятка с квадратной ручкой, наклонные квадратные опоры

Code	Art.	Material	Finishing	Ø	I	L	H	B	Øc	Pcs/pack	Kg/pack
N711D001XB010	7-1166-010	S. Steel 316L	Satin	30X30	350	500	96,5	115	30X30	2	2,20
N711D002XB010	7-1176-010	S. Steel 316L	Satin	30X30	500	650	96,5	115	30X30	2	2,60
N711D003XB010	7-1186-010	S. Steel 316L	Satin	30X30	650	800	96,5	115	30X30	2	3,00
N711D904XB010	7-1166E-010	S. Steel 304	Satin	30X30	350	500	96,5	115	30X30	2	2,20
N711D902XB010	7-1176E-010	S. Steel 304	Satin	30X30	500	650	96,5	115	30X30	2	2,60
N711D903XB010	7-1186E-010	S. Steel 304	Satin	30X30	650	800	96,5	115	30X30	2	3,00

DOWNLOAD THE FORM



SPECIAL	Material	Finishing	Ø	I	H
SP-7110-Ø-I	S. Steel	Satin	30		75

7200



Square handgrip handle, straight square supports
Poignée carrée, supports carrés droits
Stoßgriff mit 4/eckiges Handgriff, 4/eckigen verkürzten Stützen
Tirador de barra cuadrada, soportes cuadrados rectos reducidos
Квадратная рукоятка, прямые квадратные опоры

Code	Art.	Material	Finishing	Ø	I	L	H	B	Øc	Pcs/pack	Kg/pack
N720C901XB010	7-2066E-010	S. Steel 304	Satin	25X25	300	500	67		20X20	2	1,06
N720C902XB010	7-2076E-010	S. Steel 304	Satin	25X25	400	600	67		20X20	2	1,20
N720C903XB010	7-2086E-010	S. Steel 304	Satin	25X25	600	800	67		20X20	2	1,49

7210



Square handgrip handle, straight square supports
Poignée carrée, supports carrés droits
Stoßgriff mit 4/eckiges Handgriff, 4/eckigen geneigten Stützen
Tirador con empuñadura cuadrada, soportes cuadrados inclinados
Квадратная рукоятка, прямые квадратные опоры

Code	Art.	Material	Finishing	Ø	I	L	H	B	Øc	Pcs/pack	Kg/pack
N721C901XB010	7-2166E-010	S. Steel 304	Satin	25X25	300	500	61	79	25X25	2	1,29
N721C902XB010	7-2176E-010	S. Steel 304	Satin	25X25	400	600	61	79	25X25	2	1,48
N721C903XB010	7-2186E-010	S. Steel 304	Satin	25X25	600	800	61	79	25X25	2	1,77

Code	Art.	Material	Finishing	Ø	I	L	H	B	Øc	Pcs/pack	Kg/pack
N730M901XB010	7-3066E-010	S. Steel 304	Satin	40X10	300	500	55		25X25	2	1,36
N730M902XB010	7-3076E-010	S. Steel 304	Satin	40X10	400	600	55		25X25	2	1,48
N730M903XB010	7-3086E-010	S. Steel 304	Satin	40X10	600	800	55		25X25	2	1,81



7300

Handle with flat handgrip, straight square supports
 Poignée avec prise plate, supports carrés droits
 Stoßgriff mit flachem Handgriff, 4/eckigen Stützen
 Tirador con empuñadura plana, soportes cuadrados rectos
 Ручка с плоской ручкой, прямые квадратные опоры

Code	Art.	Material	Finishing	Ø	I	L	H	B	Øc	Pcs/pack	Kg/pack
N731M901XB010	7-3166E-010	S. Steel 304	Satin	40X10	300	500	60	88	25X25	2	1,43
N731M902XB010	7-3176E-010	S. Steel 304	Satin	40X10	400	600	60	88	25X25	2	1,95
N731M903XB010	7-3186E-010	S. Steel 304	Satin	40X10	600	800	60	88	25X25	2	2,30



7310

Handle with flat handgrip, inclined square supports
 Poignée avec prise plate, supports carrés inclinés
 Stoßgriff mit flachem Handgriff, 4/eckigen geneigten Stützen
 Tirador con empuñadura plana, soportes cuadrados inclinados
 Ручка с плоской ручкой, наклонные квадратные опоры

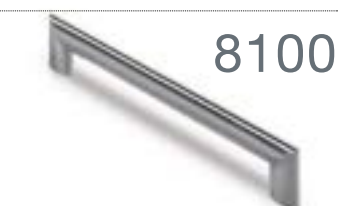
Code	Art.	Material	Finishing	Ø	I	L	H	B	Øc	Pcs/pack	Kg/pack
N800B003XB010	8-0048-010	S. Steel 316L	Satin	40X20	350	370	65			2	1,40
N800B009XB010	8-0086-010	S. Steel 316L	Satin	40X20	650	670	65			2	2,10



8000

Corner bar handle, horizontal elliptical section 40x20
 Poignée de barre avec angle, section elliptique horizontale 40x20
 Stoßgriff mit horizontalem elliptischem Profil 40x20 und Kante
 Tirador barra con esquina, sección elíptica horizontal 40x20
 Ручка угловая, горизонтальное эллиптическое сечение 40x20

Code	Art.	Material	Finishing	Ø	I	L	H	B	Øc	Pcs/pack	Kg/pack
N810B003XB010	8-1048-010	S. Steel 316L	Satin	40X20	350	390	85			2	1,40
N810B009XB010	8-1086-010	S. Steel 316L	Satin	40X20	650	690	85			2	2,30



8100

Corner bar handle, vertical elliptical section 40x20
 Poignée de barre d'angle, section elliptique verticale 40x20
 Stoßgriff mit verticalem elliptischem Profil 40x20 und Kante
 Tirador barra con esquina, sección elíptica vertical 40x20
 Ручка угловая, вертикальное эллиптическое сечение 40x20

Code	Art.	Material	Finishing	Ø	I	L	H	B	Øc	Pcs/pack	Kg/pack
N815B003XB010	8-1548-010	S. Steel 316L	Satin	40X20	350	370	65	71		2	1,40
N815B009XB010	8-1586-010	S. Steel 316L	Satin	40X20	650	670	65	71		2	2,10



8150

"Corner bar handle, horizontal elliptical section 40x20, inclined supports"
 "Poignée de barre d'angle, section elliptique horizontale 40x20, supports inclinés"
 "Stoßgriff mit horizontalem elliptischem Profil 40x20 und Kante, geneigten Stützen"
 "Tirador barra con esquina, sección elíptica horizontal 40x20, soportes inclinados"
 Ручка угловая, горизонтального эллиптического сечения 40x20, наклонные опоры

8200



Corner bar handle, horizontal elliptical section 40x20, straight supports
 Poignée de barre d'angle, section elliptique horizontale 40x20, supports droits
 Stoßgriff mit horizontalem elliptischem Profil 40x20 und Kante, gerade Stützen
 Tirador barra con esquina, sección elíptica horizontal 40x20, soportes rectos
 Ручка угловая, горизонтального эллиптического сечения 40x20, опоры прямые

Code	Art.	Material	Finishing	Ø	I	L	H	B	Øc	Pcs/pack	Kg/pack
N820B003XB010	8-2048-010	S. Steel 316L	Satin	40X20	350	500	65			2	1,70
N820B007XB010	8-2087-010	S. Steel 316L	Satin	40X20	550	700	65			2	2,20

DOWNLOAD THE FORM



SPECIAL	Material	Finishing	Ø	I	H
SP-8200-Ø-I	S. Steel	Satin	40x20		65

8300



Elliptical horizontal section handle 40x20, curved "L" shape, 45 ° angle
 Poignée elliptique à section horizontale 40x20, forme "L" courbée, angle 45 °
 Stoßgriff mit horizontalem elliptischem Profil 40x20, mit 45° "L" Biegung
 Tirador elíptico de sección horizontal 40x20, forma de "L" curva, ángulo de 45 °
 Ручка эллиптического горизонтального сечения 40x20, Гобразная изогнутая, угол 45°

Code	Art.	Material	Finishing	Ø	I	L	H	B	Øc	Pcs/pack	Kg/pack
N830B002XB010	8-3048-010	S. Steel 316L	Satin	40X20	350		65	220		2	1,70
N830B003XB010	8-3088-010	S. Steel 316L	Satin	40X20	425		65	255		2	2,00

9000



Plate handgrip handle, straight rectangular supports
 Poignée de prise plate, supports à section rectangulaire droite
 Stoßgriff mit flachem Handgriff, mit rechteckigen geraden Stützen
 Tirador con empuñadura plana, soportes con sección rectangular recta
 Плоская рукоятка, прямые скобы прямоугольного сечения

Code	Art.	Material	Finishing	Ø	I	L	H	B	Øc	Pcs/pack	Kg/pack
N900D003XB010	9-0048-010	S. Steel 316L	Satin	30X8	350	400	48			2	3,40
N900D007XB010	9-0087-010	S. Steel 316L	Satin	30X8	550	600	48			2	4,20

9100



Plate handgrip handle, straight square supports
 Poignée de prise plate, supports à section carré inclinés
 Stoßgriff mit flachem Handgriff, mit geneigten vertikalen rechteckigen Stützen
 Tirador con empuñadura plana, soportes con sección cuadrada inclinados
 Плоская рукоятка, угловые кронштейны квадратного сечения

Code	Art.	Material	Finishing	Ø	I	L	H	B	Øc	Pcs/pack	Kg/pack
N910D003XB010	9-1048-010	S. Steel 316L	Satin	30X8	350	400	48			2	2,60
N910D007XB010	9-1087-010	S. Steel 316L	Satin	30X8	550	600	48			2	3,40

9150



Curved handle, with flat bar handgrip, semicircular curvature, inclined square section supports
 Poignée incurvée, avec prise à barre plate, courbure semi-circulaire, supports de section carrée inclinée
 Stoßgriff mit flachem Handgriff, "U" Form mit halbkreisförmiger Biegung und 4/eckigen Stützen
 Tirador curvo, con empuñadura de barra plana, curvatura semicircular, soportes de sección cuadrada inclinados
 Изогнутая рукоятка, с плоской рукояткой, полукруглая кривизна, угловые скобы квадратного сечения

Code	Art.	Material	Finishing	Ø	I	L	H	B	Øc	Pcs/pack	Kg/pack
N915D003XB010	9-1548-010	S. Steel 316L	Satin	30X8	350		48	250		2	3,60

Code	Art.	Material	Finishing	Ø	I	L	H	B	Øc	Pcs/pack	Kg/pack
N920D003XB010	9-2048-010	S. Steel 316L	Satin	30X8	350	500	60			2	3,20
N920D007XB010	9-2087-010	S. Steel 316L	Satin	30X8	550	700	60			2	4,00

SPECIAL	Material	Finishing	Ø	I	H
SP-9200-Ø-I	S. Steel	Satin	30x8		60

DOWNLOAD THE FORM



9200

Handle with flat handgrip, square section inclined side supports
 Poignée avec prise plate, supports latéraux inclinés de section carrée
 Stoßgriff mit flachem Handgriff, 4/eckigen seitlichen geneigten Stützen
 Tirador con empuñadura plana, soportes laterales con sección cuadrada inclinados
 Ручьятка с плоской рукояткой, угловые боковые упоры квадратного сечения.


Code	Art.	Material	Finishing	Ø	I	L	H	B	Øc	Pcs/pack	Kg/pack
N930D006XB010	9-3066-010	S. Steel 316L	Satin	30X8	500		48	100		2	3,20
N930D010XB010	9-3089-010	S. Steel 316L	Satin	30X8	700		48	110		2	4,00



9300

Calendered handle, with flat bar handgrip, inclined square section supports
 Poignée calandree, avec prise à barre plate, supports de section carrée inclinée
 Stoßgriff mit flachem kalandriertes "U"formiges Handgriff, 4/eckigen Stützen
 Tirador calandrado, con empuñadura de barra plana, soportes de sección cuadrada inclinados
 Каландрированная рукоятка, с плоской рукояткой, угловые кронштейны квадратного сечения

Code	Art.	Material	Finishing	Ø	I	L	H	B	Øc	Pcs/pack	Kg/pack
N940D003XB010	9-4048-010	S. Steel 316L	Satin	30X8	350	500	53	76		2	3,10
N940D007XB010	9-4087-010	S. Steel 316L	Satin	30X8	550	700	53	76		2	3,90

SPECIAL	Material	Finishing	Ø	I	H
SP-9400-Ø-I	S. Steel	Satin	30x8		48

DOWNLOAD THE FORM



9400

Plate handgrip handle, inclined round supports
 Poignée de prise plate, supports ronds inclinés
 Stoßgriffe mit flachem Handgriff, runden und geneigten Stützen
 Tirador con empuñadura plana, soportes redondos inclinados
 Плоская рукоятка, угловые круглые скобы

Code	Art.	Material	Finishing	Ø	I	L	H	B	Øc	Pcs/pack	Kg/pack
N950D003XB010	9-5048-010	S. Steel 316L	Satin	30X8	350	500	48			2	2,90
N950D007XB010	9-5087-010	S. Steel 316L	Satin	30X8	550	700	48			2	3,70



9500

Plate handgrip handle, straight round supports
 Poignée de prise plate, supports ronds droits
 Stoßgriffe mit flachem Handgriff, gerade runden Stützen
 Tirador con empuñadura plana, soportes redondos rectos
 Тяговая ручка с плоской рукояткой, с прямыми круглыми опорами

Code	Art.	Material	Finishing	Ø	I	L	H	B	Øc	Pcs/pack	Kg/pack
N960D003XB010	9-6048-010	S. Steel 316L	Satin	30X30	350	500	80			2	2,40
N960D007XB010	9-6087-010	S. Steel 316L	Satin	30X30	550	700	80			2	2,70



9600

Round handgrip handle, straight round supports
 Poignée de prise ronde, supports ronds droits
 Stoßgriffe mit rundem Handgriff, gerade runden Stützen
 Tirador con empuñadura redonda, soportes redondos rectos
 Круглая рукоятка, прямые круглые опоры

6300



Round, U-shaped curved bar handle, nylon
 Poignée de barre courbée ronde en forme de "U", nylon
 Stoßgriff mit rundem Profil, mit "U" Biegung, nylon
 Tirador de barra redonda, forma de "U" curva, nylon
 Круглая U-образная ручка, нейлон

Code	Art.	Material	Finishing	Ø	I	L	H	B	Øc	Pcs/pack	Kg/pack
13063000 503	6-3085-503	NYLON	Black	35X35	350		80	120		2	1,00

6400



Round "U" bar handle, nylon
 Poignée ronde en "U", nylon
 Stoßgriff mit rundem Profil, "U" Form, nylon
 Tirador de barra redonda en "U", nylon
 Круглая U-образная ручка, нейлон

Code	Art.	Material	Finishing	Ø	I	L	H	B	Øc	Pcs/pack	Kg/pack
13064000 503	6-4065-503	NYLON	Black	30X30	225		80			2	0,60
13064001 503	6-4085-503	NYLON	Black	35X35	350		80			2	1,10

6500



Round bar handle, double curved, nylon
 Poignée de barre ronde, double courbée, nylon
 Stoßgriff mit rundem Profil, mit doppelter Biegung, nylon
 Tirador de barra redonda, doble curvado, nylon
 Круглая ручка, двойной изгиб, нейлон

Code	Art.	Material	Finishing	Ø	I	L	H	B	Øc	Pcs/pack	Kg/pack
13065001 512	6-5085-512	NYLON	White	35X35	350		80	140		2	1,20
13065001 503	6-5085-503	NYLON	Black	35X35	350		80	140		2	1,20

6700



Round, L-shaped curved bar handle, nylon
 Poignée de barre courbée ronde en forme de "L", nylon
 Stoßgriff mit rundem Profil, mit "L" Biegung, nylon
 Tirador de barra curva redonda en forma de L, nylon
 Круглая "L"-образная изогнутая рукоятка, нейлон

Code	Art.	Material	Finishing	Ø	I	L	H	B	Øc	Pcs/pack	Kg/pack
13067000 503	6-7085-503	NYLON	Black	35X35	425		80	226		2	1,80

Code	Art.	Material	Finishing	Pcs/pack	Kg/pack
NHASMA001XB018	FIRENZE RQ - Pair of door handles with square rose	S. Steel 304	Antracite	1	1,25
NHASMT001XB018	FIRENZE DK - Handle DK movement	S. Steel 304	Antracite	1	0,8

FIRENZE



INCLUDED

Code	Art.	Material	Finishing	Pcs/pack	Kg/pack
NHACMA003XB010	BARCELONA RT - Pair of door handles with round rose	S. Steel 304	Satin	10	3,32
NHAOMA003XB010	BARCELONA RO - Pair of door handles with oval rose	S. Steel 304	Satin	10	3,11
NHAOMT003XB010	BARCELONA DK - Handle DK movement	S. Steel 304	Satin	20	3,62

BARCELONA



Code	Art.	Material	Finishing	Pcs/pack	Kg/pack
NHACMA004XB010	PARIGI RT - Pair of door handles with round rose	S. Steel 304	Satin	10	3,31
NHAOMA004XB010	PARIGI RO - Pair of door handles with oval rose	S. Steel 304	Satin	10	2,97
NHAOMT004XB010	PARIGI DK - Handle DK movement	S. Steel 304	Satin	20	3,26

PARIGI



Code	Art.	Material	Finishing	Pcs/pack	Kg/pack
NHAOMS004XB010	PARIGI ALZANTE - Lift and slide handle	S. Steel 304	Satin	1	0,71



BERLINO

Code	Art.	Material	Finishing	Pcs/pack	Kg/pack
NHASMA005XB010	BERLINO RQ - Pair of door handles with square rose	S. Steel 304	Satin	10	3,12
NHARMA005XB010	BERLINO RR - Pair of door handles with rectangular rose	S. Steel 304	Satin	10	2,92
NHASMT005XB010	BERLINO DK - Handle DK movement	S. Steel 304	Satin	20	3,3



Code	Art.	Material	Finishing	Pcs/pack	Kg/pack
NHARMS005XB010	BERLINO ALZANTE - Lift and slide handle	S. Steel 304	Satin	1	0,91

MOSCA



Code	Art.	Material	Finishing	Pcs/pack	Kg/pack
NHACMA002XA009	MOSCA RT - Pair of door handles with round rose	Aluminium	Silver	10	2,8
NHAOMA002XA009	MOSCA RO - Pair of door handles with oval rose	Aluminium	Silver	10	2,7
NHAOMT002XA512	MOSCA DK - Handle DK movement	Aluminium	White	20	3,24
NHAOMT002XA603	MOSCA DK - Handle DK movement	Aluminium	Bronze	20	3,24
NHAOMT002XA602	MOSCA DK - Handle DK movement	Aluminium	Gold	20	3,24
NHAOMT002XA009	MOSCA DK - Handle DK movement	Aluminium	Silver	20	3,24
NHAOMT002XA503	MOSCA DK - Handle DK movement	Aluminium	Black	20	3,24

KNOBS



Code	Art.	Material	Finishing	Pcs/pack	Kg/pack
NHASPO005XB010	BERLINO Square knob, square base	S. Steel 304	Satin	15	1,4
NHACPO005XB010	BERLINO Square knob, round base	S. Steel 304	Satin	15	1,4
NHACPO003XB010	BARCELONA Spherical knob, round base	S. Steel 304	Satin	15	17
NHACPO004XB010	PARIGI Cylindrical knob, round base	S. Steel 304	Satin	15	18,2

Accessories

Code	Art.	Material	Finishing	Pcs/pack	Kg/pack
NHASFB005XB010	BERLINO - Thumb turn square knob	S. Steel 304	Satin	20	5,86
NHACFB003XB010	BARCELONA - Thumb turn round knob	S. Steel 304	Satin	20	5,2
NHACBB001XB010	Round nozzle yale keyhole	S. Steel 304	Satin	20	0,656
NHACBB002XB010	Round nozzle patent keyhole	S. Steel 304	Satin	20	0,617
NHASBB001XB010	Square nozzle yale keyhole	S. Steel 304	Satin	20	0,828
NHASBB002XB010	Square nozzle patent keyhole	S. Steel 304	Satin	20	0,8
NHARBB001XB010	Rectangular nozzle yale keyhole	S. Steel 304	Satin	20	0,72
NHARBB002XB010	Rectangular nozzle patent keyhole	S. Steel 304	Satin	20	0,244
NHAOBB001XB010	Oval nozzle yale keyhole	S. Steel 304	Satin	20	0,64
NHAOBB002XB010	Oval nozzle patent keyhole	S. Steel 304	Satin	20	0,6084

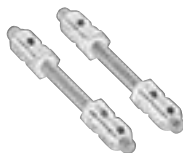


FIXINGS SYSTEM

DOOR TYPE			Ø	ALUMINIUM		NYLON	
				2000	2100		
GLASS	SINGLE	SEMISPHERICAL STUD	Ø20				
			Ø25	F7024			
			Ø30	F7026	-	F0026	
			Ø35	F0028			
			other sections				
	DOUBLE	DOUBLE APPLICATION	Ø20				
			Ø25	F7014			
			Ø30	F7016	-	F0016	
			Ø35	F7016		F0018	
			other sections				
ALUMINIUM	SINGLE	QUICK CONNECT FITTING	Ø20				
			Ø25	F1114			
			Ø30	F1116	-	F1114	
			Ø35	F1116		F0068	
			other sections				
		THROUGH HOLE WITH CAP	Ø20				
			Ø25	F7044			
			Ø30	F7046	F7046	F0046	
			Ø35	F7046		F0048	
			other sections				
		TO BE MILLED	Ø20				
			Ø25	F7034			
			Ø30	F7036	F7036	F0036	
			Ø35	F7036		F0038	
			other sections				
		TRIPLE CHAMBER SELF TAPPING	Ø20				
			Ø25	F1119			
			Ø30	F1120	F1120	-	
			Ø35	F1120		-	
			other sections				
	WITH PLATE	Ø20					
		Ø25	F7054				
		Ø30	F7056	-	F0056		
		Ø35	F7058		F0058		
		other sections					
	DOUBLE	DOUBLE APPLICATION	Ø20				
			Ø25	F7014			
			Ø30	F7016	F7016	F0016	
Ø35			F7016		F0018		
other sections							
WOOD	SINGLE	SELF TAPPING	Ø20				
			Ø25	F1119W			
			Ø30	F1120W	F1120W	-	
			Ø35	F1120W		-	
			other sections				
	DOUBLE	DOUBLE APPLICATION	Ø20				
			Ø25	F7014			
			Ø30	F7016	F7016	F0016	
			Ø35	F7016		F0018	
			other sections				

STAINLESS STEEL						
2000	2100	4000	4010	7000	8000	9000
F1022						
F1325	-	F1325	F1325			
F1330	-	F1325	F1325			
F1335		F1330	F1330			
				-	-	-
F1012						
F2001	-	F2001	F2001			
F2001	-	F2001	F2001			
F2001		F2001	F2001			
				F2001	F1012	F2001
F1112						
F1000	-	F1000	-			
F1000	-	F1000	-			
F1000		F1000	-			
				F1000	-	F1000
F1042						
F1200	-	F1200	F1200			
F1200	F7046	F1200	F1200			
F1200		F1200	F1200			
				F1200	F1042	F1200
F1032						
F1100	F1094	F1100	F1100			
F1100	F7036	F1100	F1100			
F1100		F1100	F1100			
				F1100	F1032	F1100
-						
F1400	-	F1400	F1400			
F1400	F1120	F1400	F1400			
F1400		F1400	F1400			
				F1400	F1400E	F1400
F1052						
F3025	-	F3025	-			
F3030	-	F3025	-			
F3035		F3030	-			
				-	-	-
F1012						
F2000	F1084	F2000	F2000			
F2000	F7016	F2000	F2000			
F2000		F2000	F2000			
				F2000	F1012	F2000
-						
F1400W	-	F1400W	F1400W			
F1400W	F1120W	F1400W	F1400W			
F1400W		F1400W	F1400W			
				F1400W	F1400WE	F1400W
F1012						
F2000	F1084	F2000	F2000			
F2000	F7016	F2000	F2000			
F2000		F2000	F2000			
				F2000	F1012	F2000

F0016



Adjustable double fixing for nylon pull-handles on tubular profiles and glass doors

Fixation double réglable pour poignées en nylon, sur profils tubulaires et portes en verre

Verstellbares Montageset doppelseitig für Nylonstosgriffe auf röhrenförmigen Profilen und Ganzglastüren

Fijación doble ajustable para mangos de nylon en perfiles tubulares y puertas de vidrio

Двойной регулируемый элемент крепления для нейлоновых ручках на трубчатых профилях и стеклянных дверях.

Code	Art.	Door type	Single / Double	Pull handle material	Finishing	Ø pull handle	M	F	Pcs/pack	Kg/pack
11111530	F0016	Glass	D	Nylon		30	M6	10	1	0,2

F0018



Adjustable double fixing for nylon pull-handle on tubular profiles and glass doors

Fixation double réglable pour poignées en nylon, sur profils tubulaires et portes en verre

Verstellbares Montageset doppelseitig für Nylonstosgriffe auf röhrenförmigen Profilen und Ganzglastüren

Fijación doble ajustable para mangos de nylon en perfiles tubulares y puertas de vidrio

Двойной регулируемый элемент крепления для нейлоновых ручках на трубчатых профилях и стеклянных дверях

Code	Art.	Door type	Single / Double	Pull handle material	Finishing	Ø pull handle	M	F	Pcs/pack	Kg/pack
11103435	F0018	Glass	D	Nylon		35	M8	11,5	1	0,2

F0026



Single fixing for nylon pull-handles for glass doors

Fixation simple our poignées en nylon, pour en verre vaiable

Montageset einseitig für Nylonstosgriffe auf Ganzglastüren

Fijación única para mangos de nylon para puertas de cristal

Одинарный элемент крепления для нейлоновых ручках, для стеклянных дверей

Code	Art.	Door type	Single / Double	Pull handle material	Finishing	Ø pull handle	M	F	Pcs/pack	Kg/pack
11111030	F0026B	Glass	S	Nylon	White	30	M6	10	1	0,1
11111031	F0026N	Glass	S	Nylon	Black	30	M6	10	1	0,1

F0028



Single fixing for nylon pull-handles for glass doors

Fixation simple our poignées en nylon, pour en verre vaiable

Montageset einseitig für Nylonstosgriffe auf Ganzglastüren

Fijación única para mangos de nylon para puertas de cristal

Одинарный элемент крепления для нейлоновых ручках, для стеклянных дверей

Code	Art.	Door type	Single / Double	Pull handle material	Finishing	Ø pull handle	M	F	Pcs/pack	Kg/pack
11102435	F0028B	Glass	S	Nylon	White	35	M8	11,5	1	0,1
11102436	F0028N	Glass	S	Nylon	Black	35	M8	11,5	1	0,1

F0036



Single fixing by means of milling for tubular profiles

Fixation simple à fraisage pour profils tubulaires

Montageset einseitig zum Einfräsen für röhrenförmige Profile

Fijación de fresado simple para perfiles tubulares

Одинарный фрезерный элемент крепления для трубчатых профилей

Code	Art.	Door type	Single / Double	Pull handle material	Finishing	Ø pull handle	M	F	Pcs/pack	Kg/pack
11112030	F0036	Tubular profile	S	Nylon		30	M6	10	1	0,1

Code	Art.	Door type	Single / Double	Pull handle material	Finishing	Ø pull handle	M	F	Pcs/pack	Kg/pack
11116135	F0038	Tubular profile	S	Nylon		35	M8	11,5	1	0,1



F0038

Single fixing by means of milling for tubular profiles
 Fixation simple à fraisage pour profils tubulaires
 Montageset einseitig zum Einfräsen für röhrenförmige Profile
 Fijación de fresado simple para perfiles tubulares
 Одинарный фрезерный элемент крепления для трубчатых профилей

Code	Art.	Door type	Single / Double	Pull handle material	Finishing	Ø pull handle	M	F	Pcs/pack	Kg/pack
11113030	F0046	Tubular profile	S	Nylon		30	M6	10	1	0,1



F0046

Single fixing for doors with tubular profile - Through hole with cap
 Fixation simple pour portes avec profil tubulaire - Trou traversant avec bouchon
 Einzelbefestigung für Türen mit Rohrprofil - durchgehende Bohrung mit Verschluss
 Fijación única para puertas con perfil tubular - Agujero pasante con tapa
 Одинарный элемент крепления для дверей с трубчатым профилем - Сквозное отверстие с заглушкой

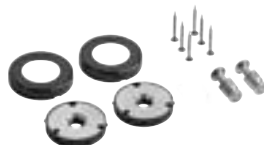
Code	Art.	Door type	Single / Double	Pull handle material	Finishing	Ø pull handle	M	F	Pcs/pack	Kg/pack
11108135	F0048	Tubular profile	S	Nylon		35	M8	11,5	1	0,1



F0048

Single fixing for doors with tubular profile - Through hole with cap
 Fixation simple pour portes avec profil tubulaire - Trou traversant avec bouchon
 Einzelbefestigung für Türen mit Rohrprofil - durchgehende Bohrung mit Verschluss
 Fijación única para puertas con perfil tubular - Agujero pasante con tapa
 Одинарный элемент крепления для дверей с трубчатым профилем - Сквозное отверстие с заглушкой

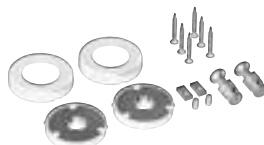
Code	Art.	Door type	Single / Double	Pull handle material	Finishing	Ø pull handle	M	F	Pcs/pack	Kg/pack
11112530	F0056B	Tubular profile	S	Nylon	White	30	M6		1	0,1
11112531	F0056N	Tubular profile	S	Nylon	Black	30	M6		1	0,1



F0056

Single fixing with nylon plate for tubular profiles
 Fixation avec rosace en nylon pour profils tubulaires
 Montageset einseitig mit Rosette aus Nylon für röhrenförmige Profile
 Fijación simple con placa de nylon para perfiles tubulares
 Одинарный элемент крепления с нейлоновой пластиной для трубчатых профилей

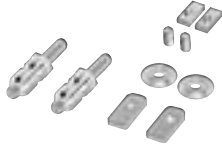
Code	Art.	Door type	Single / Double	Pull handle material	Finishing	Ø pull handle	M	F	Pcs/pack	Kg/pack
11110135	F0058B	Tubular profile	S	Nylon	White	35	M8		1	0,1
11110136	F0058N	Tubular profile	S	Nylon	Black	35	M8		1	0,1



F0058

Single fixing with nylon plate for tubular profiles
 Fixation avec rosace en nylon pour profils tubulaires
 Montageset einseitig mit Rosette aus Nylon für röhrenförmige Profile
 Fijación simple con placa de nylon para perfiles tubulares
 Одинарный элемент крепления с нейлоновой пластиной для трубчатых профилей

F0068



Single fixing with fast hooking for tubular profiles

Fixation simple avec accrochage rapide pour profils tubulaires

Montageset einseitig mit schneller Kupplung für röhrenförmige Profile

Fijación única con acoplamiento rápido para perfiles tubulares.

Одинарный элемент крепления с быстрым зацеплением для трубчатых профилей

Code	Art.	Door type	Single / Double	Pull handle material	Finishing	Ø pull handle	M	F	Pcs/pack	Kg/pack
11129035	F0068	Tubular profile	S	Nylon		35	M6	16	1	0,85

F1000



Single fixing with fast hooking for tubular profiles

Fixation simple avec accrochage rapide pour profils tubulaires

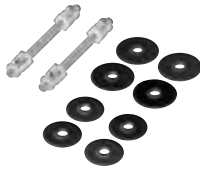
Montageset einseitig mit schneller Kupplung für röhrenförmige Profile

Fijación unificada simple con acoplamiento rápido para perfiles tubulares

Одинарный элемент крепления с быстрым зацеплением для трубчатых профилей

Code	Art.	Door type	Single / Double	Pull handle material	Finishing	Ø pull handle	M	F	Pcs/pack	Kg/pack
11100001	F1000	Tubular profile	S	S. Steel		25 - 30 -35	M6	16	1	0,1

F1012



Double fixing adjustable for glass doors available for all diameters

Fixation double réglable pour toutes portes en verre réglable pour tous les diamètres

Verstellbares Montageset doppelseitig für Ganzglastüren für alle Stössgriffe Durchmesser geeignet

Fijación doble unificada para puertas de cristal

Унифицированный двойной элемент крепления для стеклянных дверей всех диаметров

Code	Art.	Door type	Single / Double	Pull handle material	Finishing	Ø pull handle	M	F	Pcs/pack	Kg/pack
11101620	F1012	Glass/Tubular profile	D	All./S. Steel/ 8000		20	M6	10	1	0,2

F1042



Single fixing with plug except for tubular profiles

Fixation simple avec bouchon pour profils tubulaires)

Montageset einseitig mit Stöpsel für röhrenförmigen Profilen

Fijación unificada única con tapa para perfiles tubulares

Одинарный элемент крепления с заглушкой для трубчатых профилей (сквозное отверстие)

Code	Art.	Door type	Single / Double	Pull handle material	Finishing	Ø pull handle	M	F	Pcs/pack	Kg/pack
11107220	F1042	Tubular profile	S	All./S. Steel/ 8000		20	M6	10	1	0,1

Code	Art.	Door type	Single / Double	Pull handle material	Finishing	Ø pull handle	M	F	Pcs/pack	Kg/pack
11109620	F1052S	Tubular profile	S	S. Steel	Satin	20	M6	10	1	0,28
11109621	F1052L	Tubular profile	S	S. Steel	Polished	20	M6	10	1	0,28



F1052

Single fixing with metal plate for glass doors
 Fixation avec rosace métallique pour profils tubulaires
 Montageset zum Aufschrauben mit Rosette (nicht für Ganzglastüren)
 Fijación simple con placa metálica para perfiles tubulares
 Одинарный элемент крепления с металлической пластиной для трубчатых профилей

Code	Art.	Door type	Single / Double	Pull handle material	Finishing	Ø pull handle	M	F	Pcs/pack	Kg/pack
11114025	F1084	Glass/Tubular profile	D	S. Steel 2100		25	M6	10	1	0,1



F1084

Double fixing adjustable for tubular profiles and glass doors
 Fixation double réglable pour profils tubulaires et portes en verre
 Verstellbares Montageset doppelseitig für röhrenförmige Profile und Ganzglastüren
 Fijación doble ajustable para perfiles tubulares y puertas de cristal
 Двойной элемент крепления для трубчатых профилей и стеклянных дверей

Code	Art.	Door type	Single / Double	Pull handle material	Finishing	Ø pull handle	M	F	Pcs/pack	Kg/pack
11114525	F1094	Tubular profile	S	S. Steel 2100		25	M6	10	1	0,04



F1094

Single fixing by means of milling for tubular profiles
 Fixation simple à fraisage pour profils tubulaires
 Montageset einseitig zum Einfräsen für röhrenförmige Profile
 Fijación de fresado simple para perfiles tubulares
 Одинарный фрезерный элемент крепления для трубчатых профилей

Code	Art.	Door type	Single / Double	Pull handle material	Finishing	Ø pull handle	M	F	Pcs/pack	Kg/pack
11100011	F1100	Tubular profile	S	S. Steel		25 - 30 - 35	M6	10	1	0,1



F1100

Single fixing by means of milling for tubular profiles
 Fixation simple à fraisage pour profils tubulaires
 Montageset einseitig zum Einfräsen für röhrenförmige Profile
 Fijación de fresado unificada simple para perfiles tubulares.
 Одинарный фрезерный элемент крепления для трубчатых профилей

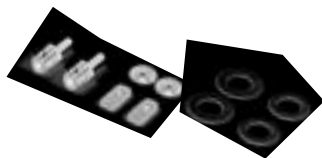
Code	Art.	Door type	Single / Double	Pull handle material	Finishing	Ø pull handle	M	F	Pcs/pack	Kg/pack
11128020	F1112	Tubular profile	S	S. Steel		20	M6	16	1	0,06



F1112

Single fixing with fast hooking for tubular profiles
 Fixation simple avec accrochage rapide pour profils tubulaires
 Montageset einseitig mit schneller Kupplung für röhrenförmige Profile
 Fijación unificada simple con acoplamiento rápido para perfiles tubulares
 Одинарный элемент крепления с быстрым зацеплением для трубчатых профилей

F1114



Single fixing with fast hooking for tubular profiles
 Fixation simple avec accrochage rapide pour profils tubulaires
 Montageset einseitig mit schneller Kupplung für röhrenförmige Profile
 Fijación única con enganche rápido para perfiles tubulares
 Одинарный элемент крепления с быстрым защелкиванием для трубчатых профилей

Code	Art.	Door type	Single / Double	Pull handle material	Finishing	Ø pull handle	M	F	Pcs/pack	Kg/pack
11128025	F1114	Tubular profile	S	Aluminium		25	M6	16	1	0,7

F1116

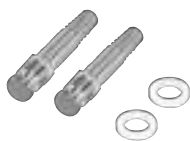


Single fixing with fast hooking for tubular profiles
 Fixation simple avec accrochage rapide pour profils tubulaires
 Montageset einseitig mit schneller Kupplung für röhrenförmige Profile
 Fijación única con enganche rápido para perfiles tubulares
 Одинарный элемент крепления с быстрым защелкиванием для трубчатых профилей

Code	Art.	Door type	Single / Double	Pull handle material	Finishing	Ø pull handle	M	F	Pcs/pack	Kg/pack
11128030	F1116	Tubular profile	S	Nylon/2100 Ø 30-Alu.		30 - 35 All.	M6	16	1	0,85

F1119

F1119W

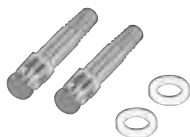


Single fixing for profiles with triple chamber (Serie 2100 Inox)
 Fixation simple pour profils à trois chambres (Serie 2100 Inox)
 Einzelbefestigung für 3-kammerprofile (Serie 2100 Inox)
 Fijación única para perfiles de triple cámara (Serie 2100 Inox)
 Одинарный элемент крепления для профилей с тройной камерой (серия 2100 Inox)

Code	Art.	Door type	Single / Double	Pull handle material	Finishing	Ø pull handle	M	F	Pcs/pack	Kg/pack
11108638	F1119	Tubular profile	S	Aluminium		25 All.	8	1	0,1	
11108641	F1119W	Wooden doors	S	Aluminium		25 All.	8	1	0,1	

F1120

F1120W



Single fixing for profiles with triple chamber (Serie 2100 Inox)
 Fixation simple pour profils à trois chambres (Serie 2100 Inox)
 Einzelbefestigung für 3-kammerprofile (Serie 2100 Inox)
 Fijación única para perfiles de triple cámara (Serie 2100 Inox)
 Одинарный элемент крепления для профилей с тройной камерой (серия 2100 Inox)

Code	Art.	Door type	Single / Double	Pull handle material	Finishing	Ø pull handle	M	F	Pcs/pack	Kg/pack
11108637	F1120	Tubular profile	S	2100 Ø 30-All.		30 SERIE 2100 - 35 All.	8	1	0,05	
11108640	F1120W	Wooden doors	S	2100 Ø 30-All.		30 SERIE 2100 - 35 All.	8	1	0,1	

F1200



Single fixing with plug except for tubular profiles (through hole)
 Fixation simple avec bouchon pour profils tubulaires (trou passant)
 Montageset einseitig mit Stöpsel für röhrenförmigen Profilen (durchgehendes Loch)
 Fijación unificada única con tapa para perfiles tubulares (orificio pasante)
 Одинарный элемент крепления с заглушкой для трубчатых профилей (сквозное отверстие)

Code	Art.	Door type	Single / Double	Pull handle material	Finishing	Ø pull handle	M	F	Pcs/pack	Kg/pack
11100021	F1200	Tubular profile	S	S. Steel		25 - 30 - 35	M6	10	1	0,2

Code	Art.	Door type	Single / Double	Pull handle material	Finishing	Ø pull handle	M	F	Pcs/pack	Kg/pack
11100032	F1325L	Glass	S	S. Steel	Polished	25	M6	10	1	0,1
11100031	F1325S	Glass	S	S. Steel	Satin	25	M6	10	1	0,1
11100042	F1330L	Glass	S	S. Steel	Polished	30	M6	10	1	0,1
11100041	F1330S	Glass	S	S. Steel	Satin	30	M6	10	1	0,1
11100052	F1335L	Glass	S	S. Steel	Polished	35	M6	10	1	0,1
11100051	F1335S	Glass	S	S. Steel	Satin	35	M6	10	1	0,1



F1300

Single fixing for glass doors (through hole)
 Fixation simple pour en verre
 viable (trou passant)
 Montageset einseitig für Ganzglastüren
 (durchgehendes Loch)
 Fijación única para puertas de
 cristal (agujero pasante)
 Одинарный элемент крепления для
 стеклянных дверей (сквозное отверстие)

Code	Art.	Door type	Single / Double	Pull handle material	Finishing	Ø pull handle	M	F	Pcs/pack	Kg/pack
11100061	F1400	Tubular profile	S	S. Steel		25 - 30 -35		8	1	0,1
11100064	F1400E	Tubular profile	S	S. Steel		25 - 30 -35		8	1	0,1



F1400 F1400E

Single fixing for profiles with triple chamber
 Fixation simple pour profils à trois chambres
 Einzelbefestigung für 3-kammerprofile
 Fijación única para perfiles de triple cámara
 Одинарный элемент крепления
 для трехкамерных профилей

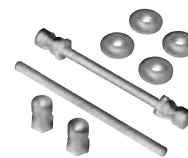
Code	Art.	Door type	Single / Double	Pull handle material	Finishing	Ø pull handle	M	F	Pcs/pack	Kg/pack
11100063	F1400W	Wooden doors	S	S. Steel		25 - 30 -35		8	1	0,1
11100065	F1400WE	Wooden doors		S. Steel		25 - 30 -35		8	1	0,1



F1400W F1400WE

Single fixing for wood
 Fixation simple pour bois
 Einzelbefestigung für Holz
 Fijación única para madera
 Одинарный элемент крепления для дерева

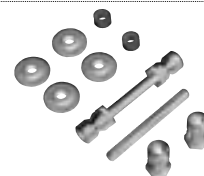
Code	Art.	Door type	Single / Double	Pull handle material	Finishing	Ø pull handle	M	F	Pcs/pack	Kg/pack
11100071	F2000	Tubular profile	D	S. Steel		25 - 30 -35	M6	10	1	0,1



F2000

Adjustable double fixing
 for tubular profiles
 Fixation double réglable
 pour profils tubulaires
 Verstellbares Montageset doppelseitig
 für röhrenförmige Profile
 Fijación doble unificada regulable
 para perfiles tubulares
 Двойной регулируемый элемент
 крепления для трубчатых профилей

Code	Art.	Door type	Single / Double	Pull handle material	Finishing	Ø pull handle	M	F	Pcs/pack	Kg/pack
11100072	F2001	Glass	D	S. Steel		25 - 30 -35	M6	10	1	0,1



F2001

Adjustable double fixing for glass doors
 Fixation double réglable
 pour portes en verre
 Verstellbares Montageset
 doppelseitig für Ganzglastüren
 Fijación doble regulable unificada
 para puertas de cristal
 Двойной регулируемый элемент
 крепления для стеклянных дверей

F3000



Single fixing with metal plate for glass doors
 Fixation avec rosace métallique pour profils tubulaires
 Montageset zum Aufschrauben mit Rosette (nicht für Ganzglastüren)
 Fijación simple con placa metálica para perfiles tubulares
 Одиночный элемент крепления с металлической пластиной для трубчатых профилей

Code	Art.	Door type	Single / Double	Pull handle material	Finishing	Ø pull handle	M	F	Pcs/pack	Kg/pack
11100082	F3025L	Tubular profile	S	S. Steel	Polished	25	M6		1	0,2
11100081	F3025S	Tubular profile	S	S. Steel	Satin	25	M6		1	0,2
11100092	F3030L	Tubular profile	S	S. Steel	Polished	30	M6		1	0,3
11100091	F3030S	Tubular profile	S	S. Steel	Satin	30	M6		1	0,3
11100102	F3035L	Tubular profile	S	S. Steel	Polished	35	M6		1	0,3
11100101	F3035S	Tubular profile	S	S. Steel	Satin	35	M6		1	0,3

F7014



Adjustable double fixing for tubular profiles and glass doors
 Fixation double réglable pour profils tubulaires et portes en verre
 Verstellbares Montageset doppelseitig für röhrenförmige Profile und Ganzglastüren
 Fijación doble ajustable para perfiles tubulares y puertas de cristal
 Двойной регулируемый элемент крепления для трубчатых профилей и стеклянных дверей

Code	Art.	Door type	Single / Double	Pull handle material	Finishing	Ø pull handle	M	F	Pcs/pack	Kg/pack
11100625	F7014	Glass	D	Aluminium		25	M6	10	1	0,2

F7016



Adjustable double fixing for tubular profiles and glass doors
 Fixation double réglable pour profils tubulaires et portes en verre
 Verstellbares Montageset doppelseitig für röhrenförmige Profile und Ganzglastüren
 Fijación doble ajustable para perfiles tubulares y puertas de cristal
 Двойной регулируемый элемент крепления для трубчатых профилей и стеклянных дверей

Code	Art.	Door type	Single / Double	Pull handle material	Finishing	Ø pull handle	M	F	Pcs/pack	Kg/pack
11100630	F7016	Glass	D	Aluminium		30 - 35	M8	11,5	1	0,2

F7024



Adjustable single fixing for glass doors
 Fixation simple réglable pour portes en verre
 Verstellbares Montageset einseitig für Ganzglastüren
 Fijación única ajustable para puertas de cristal
 Одиночный регулируемый элемент крепления для стеклянных дверей

Code	Art.	Door type	Single / Double	Pull handle material	Finishing	Ø pull handle	M	F	Pcs/pack	Kg/pack
11102225	F7024B	Glass	S	Aluminium	White	25	M6	10	1	0,1
11102226	F7024N	Glass	S	Aluminium	Black	25	M6	10	1	0,1

F7026



Adjustable single fixing for glass doors
 Fixation simple réglable pour portes en verre
 Verstellbares Montageset einseitig für Ganzglastüren
 Fijación única ajustable para puertas de cristal
 Одиночный регулируемый элемент крепления для стеклянных дверей

Code	Art.	Door type	Single / Double	Pull handle material	Finishing	Ø pull handle	M	F	Pcs/pack	Kg/pack
11102230	F7026B	Glass	S	Aluminium	White	30	M8	11,5	1	0,1
11102231	F7026N	Glass	S	Aluminium	Black	30	M8	11,5	1	0,1

Code	Art.	Door type	Single / Double	Pull handle material	Finishing	Ø pull handle	M	F	Pcs/pack	Kg/pack
11102235	F7028B	Glass	S	Aluminium	White	35	M8	11,5	1	0,1
11102236	F7028N	Glass	S	Aluminium	Black	35	M8	11,5	1	0,1



F7028

Adjustable single fixing for glass doors
 Fixation simple réglable pour portes en verre
 Verstellbares Montageset
 einseitig für Ganzglasuren
 Fijación única ajustable para puertas de cristal
 Одинарный регулируемый элемент
 крепления для стеклянных дверей

Code	Art.	Door type	Single / Double	Pull handle material	Finishing	Ø pull handle	M	F	Pcs/pack	Kg/pack
11105220	F1032	Tubular profile	S	S. Steel		20	M6	10	1	0,1
11104625	F7034	Tubular profile	S	S. Steel		25	M6	10	1	0,1



F1032 F7034

Single fixing by means of
 milling for tubular profiles
 Fixation simple à fraisage
 pour profils tubulaires
 Montageset einseitig zum Einfräsen
 für röhrenförmige Profile
 Fijación de fresado simple
 para perfiles tubulares
 Одинарный фрезерный элемент
 крепления для трубчатых профилей

Code	Art.	Door type	Single / Double	Pull handle material	Finishing	Ø pull handle	M	F	Pcs/pack	Kg/pack
11104630	F7036	Tubular profile	S	2100 Ø 30-Alu.		30-35	M8	11,5	1	0,1



F7036

Single fixing by means of milling
 for tubular profiles
 Fixation simple à fraisage pour profils tubulaires
 Montageset einseitig zum Einfräsen
 für röhrenförmige Profile
 Fijación de fresado simple para perfiles tubulares
 Одинарный фрезерный элемент
 крепления для трубчатых профилей

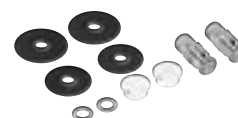
Code	Art.	Door type	Single / Double	Pull handle material	Finishing	Ø pull handle	M	F	Pcs/pack	Kg/pack
11106625	F7044	Tubular profile	S	Aluminium		25	M6	10	1	0,1



F7044

Single fixing by means of milling
 for tubular profiles
 Fixation simple à fraisage pour profils tubulaires
 Montageset einseitig zum Einfräsen
 für röhrenförmige Profile
 Fijación de fresado simple para perfiles tubulares
 Одинарный фрезерный элемент
 крепления для трубчатых профилей

Code	Art.	Door type	Single / Double	Pull handle material	Finishing	Ø pull handle	M	F	Pcs/pack	Kg/pack
11106630	F7046	Tubular profile	S	2100 Ø 30-Alu.		30 -35 Alu.	M8	11,5	1	0,1



F7046

Single fixing by means of milling for
 tubular profiles - (Serie 2100 Inox)
 Fixation simple à fraisage pour profils
 tubulaires - (Serie 2100 Inox)
 Montageset einseitig zum Einfräsen für
 röhrenförmige Profile - (Serie 2100 Inox)
 Fijación de fresado simple para perfiles
 tubulares - (Serie 2100 Inox)
 Одинарный фрезерный элемент крепления
 для трубчатых профилей - (серия 2100 Inox)

F7054



Single fixing with metal plate for tubular profiles

Fixation avec rosace métallique pour profils tubulaires

Montageset zum Aufschrauben mit Rosette (nicht für Ganzlastüren)

Fijación simple con placa metálica para perfiles tubulares

Оди́нарный элемент крепления с металлической пластиной для трубчатых профилей

Code	Art.	Door type	Single / Double	Pull handle material	Finishing	Ø pull handle	M	F	Pcs/pack	Kg/pack
11108625	F7054B	Tubular profile	S	Aluminium	White	25	M6	10	1	0,1
11108626	F7054N	Tubular profile	S	Aluminium	Black	25	M6	10	1	0,1

F7056

F7058



Single fixing with nylon plate for tubular profiles

Fixation avec rosace en nylon pour profils tubulaires

Montageset einseitig mit Rosette aus Nylon für röhrenförmige Profile

Fijación simple con placa de nylon para perfiles tubulares

Оди́нарный элемент крепления с нейлоновой пластиной для трубчатых профилей

Code	Art.	Door type	Single / Double	Pull handle material	Finishing	Ø pull handle	M	F	Pcs/pack	Kg/pack
11108630	F7056B	Tubular profile	S	Aluminium	White	30	M8	11,5	1	0,1
11108631	F7056N	Tubular profile	S	Aluminium	Black	30	M8	11,5	1	0,1
11108632	F7056ANS	Tubular profile	S	Aluminium	Anodized Satin	30	M8	11,5	1	0,1
11108635	F7058B	Tubular profile	S	Aluminium	White	35			1	0,1
11108636	F7058N	Tubular profile	S	Aluminium	Black	35			1	0,1
11108634	F7058ANS	Tubular profile	S	Aluminium	Anodized Satin	35			1	0,1

Code	Art.	Door type	Single / Double	Pull handle material	Finishing	Ø pull handle	M	F	Pcs/pack	Kg/pack
11150001	F2900	Universal no Glass	D						1	0,144



F2900

Double installation
Double installation
Einseitige Installation
Doble instalación
Двойная установка

Code	Art.	Door type	Single / Double	Pull handle material	Finishing	Ø pull handle	M	F	Pcs/pack	Kg/pack
11150002	F1900	Wooden doors	S						1	0,031



F1900

Single installation, self tapping
Installation unique, autotaraudante
Doppelseitige Installation, selbstschneidend
Instalación única, autorroscante
Одиночная установка, саморез

Code	Art.	Door type	Single / Double	Pull handle material	Finishing	Ø pull handle	M	F	Pcs/pack	Kg/pack
11150003	F1901	Tubular profile	S						1	0,117



F1901

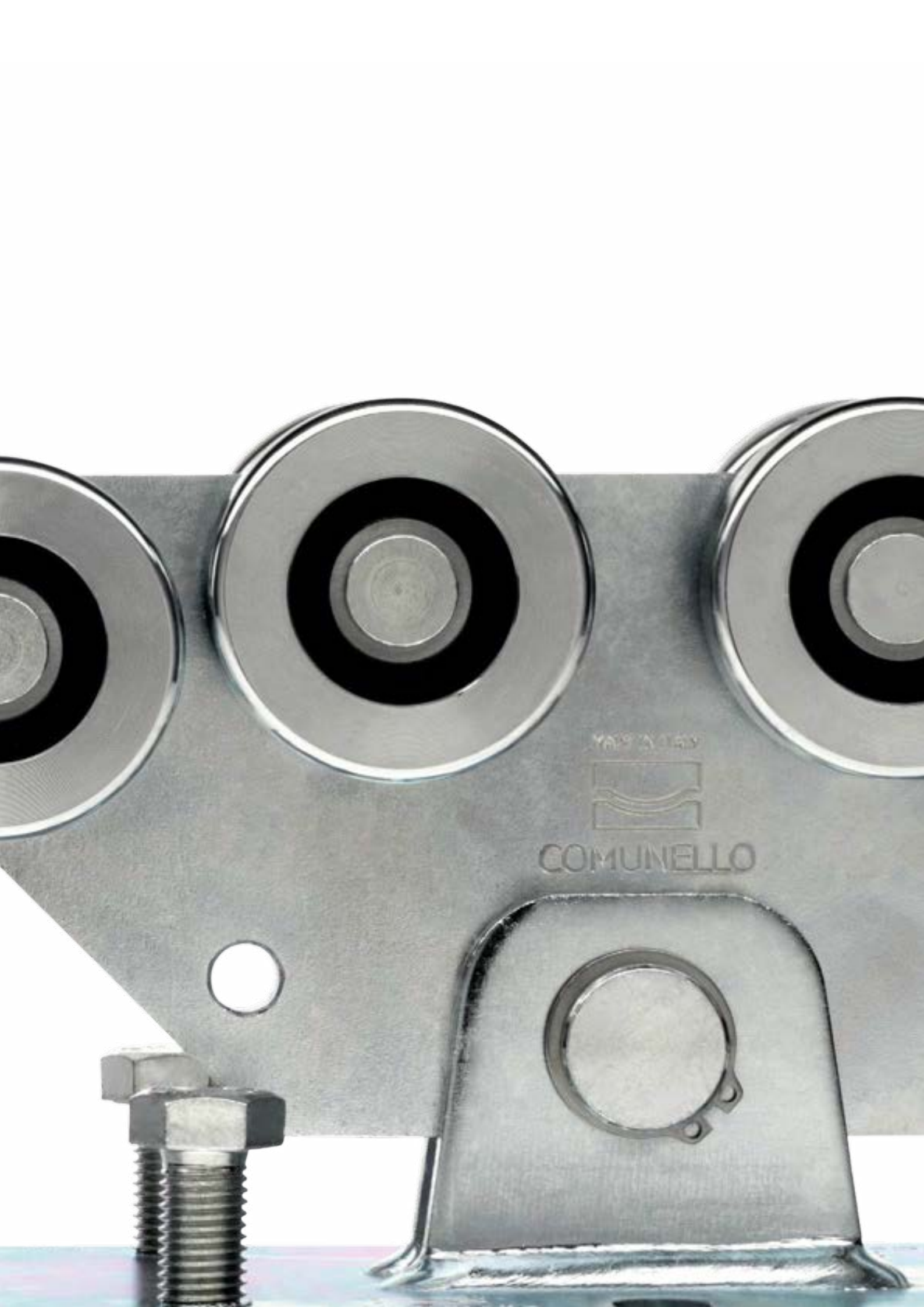
Single installation, triple chamber self tapping
Installation simple, autotaraudeuse
pour triple chambre
Einseitige Installation, selbstschneidend
für dreifache Kammer
Instalación simple, autorroscante
para cámara triple
Одиночная установка,
трехкамерный саморез

Code	Art.	Door type	Single / Double	Pull handle material	Finishing	Ø pull handle	M	F	Pcs/pack	Kg/pack
11150004	F1902	Tubular profile	S						1	0,041



F1902

Single installation, quick coupling
Installation unique, raccord rapide
Einseitige Installation, schnelle Kopplung
Instalación simple, acoplamiento rápido
Одиночная установка,
быстроразъемное соединение



YAS A 163
COMUNELLO

Mechanical
excellence



Index



10100505 001	2-P	36
10100610 001	2C-M	36
10100615 001	2C-G	36
19918600 001	2C-M NY	36
10101005 001	4-P	36
10101110 001	4C-M	36
10101115 001	4C-G	36
19918605 001	4C-M NY	36
10102005 001	8-P	37
10102110 001	8C-M	37
10102115 001	8C-G	37
10102505 001	10-P	37
10102610 001	10C-M	37
10102615 001	10C-G	37
10103610 001	16C-M	37
10103615 001	16C-G	37
10104610 001	20C-M	37
10104615 001	20C-G	37
10605005 001	22-P	38
10605000 001	22-M	38
10605010 001	22-G	38
10605505 001	23-P	38
10605500 001	23-M	38
10605510 001	23-G	38
10200505 001	24-P	38
10200510 001	24-M	38
10200515 001	24-G	38
10200503 001	24-P	38
10200508 001	24-M	38
10200514 001	24-G	38
10704805 001	25-P/M	38
10704810 001	25-G	38
10300505 001	26-M	38
10300510 001	26-G	38
10301005 001	28-M	38
10301010 001	28-G	38
10301505 001	30-25	39
10400505 001	32-34	39
10500505 001	34-M	39
10500510 001	34-G	39
10302005 001	36-25	39
10302010 001	36-30	39
10105505 001	38-24	39
10106005 001	39-24	39
10106505 001	40-24	40
10107005 001	41-24	40
10501005 001	42P	40
10501010 001	42G	40
10107505 001	43-24	40
10108005 001	44-24	40
10108505 001	46-24	40
10109005 001	48-24	41
10109505 001	50-24	41
10110005 001	52-24	41
10110505 001	54-24	41
10111005 001	56-24	41
10111505 001	60-24	41
10826000 001	RS-100F	48
10826015 001	RS-ST140-LH	48
10826035 001	RS-ST150-LH	48
10826055 001	RS-ST165-LH	48
10826005 001	RS-ST140-RH	48
10826025 001	RS-ST150-RH	48
10826045 001	RS-ST165-RH	48
10826020 001	RS-AL140-LH	48
10826040 001	RS-AL150-LH	48
10826060 001	RS-AL165-LH	48
10826010 001	RS-AL140-RH	48
10826030 001	RS-AL150-RH	48
10826050 001	RS-AL165-RH	48
11640910 001	ABS-100-P	55
11640900 001	ABS-100-G	57
11640913 001	ABS-10-P	55
11640903 001	ABS-10-G	57
11640905 001	ABS-16	55
11640920 001	ABS-20P	55
11640905 001	ABS-16	57
11640921 001	ABS-20G	57
10801645	83-CR-40/50	61
10801665	83-CR-65	61
10801611 001	85L-40.AL	61
10801621 001	85L-40.ST	61
10801612 001	85L-50.AL	61

10801622 001	85L-50.ST	61
10801613 001	85L-65.AL	61
10801623 001	85L-65.ST	61
10801311 001	87L-40.AL	61
10801321 001	87L-40.ST	61
10801312 001	87L-50.AL	61
10801322 001	87L-50.ST	61
10801313 001	87L-65.AL	61
10801323 001	87L-65.ST	61
10801250 001	87PSQ-50.AL	61
10801251 001	87PSQ-50.I.AL	61
10801253 001	87PSQ-40.ST	61
10801252 001	87PSQ-50.I.ST	61
10801350 001	87LFQ-50.AL	61
10801351 001	87LFQ-50.I.AL	61
10801353 001	87LFQ-40.ST	61
10801352 001	87LFQ-50.I.ST	61
11210020	73-10	62
11210025	73-20	62
11210030	73-30	62
11210005	73-40	62
11210010	73-50	62
11210015	73-60	62
11210020 503	73-10	62
11210025 503	73-20	62
11210030 503	73-30	62
11210005 503	73-40	62
11210010 503	73-50	62
11210015 503	73-60	62
11210520	74-10	62
11210525	74-20	62
11210530	74-30	62
11210505	74-40	62
11210510	74-50	62
11210515	74-60	62
11210520 503	74-10	62
11210525 503	74-20	62
11210530 503	74-30	62
11210505 503	74-40	62
11210510 503	74-50	62
11210515 503	74-60	62
11213505	78	62
11213505 502	78	62
10800407 001	85M	63
10800410 001	85G	63
10801607 001	85L-M	63
10801610 001	85L-G	63
10801407 001	85PST-M	63
10801410 001	85PST-G	63
10800411 001	85XL	63
10800415 001	85M+87M	63
10800414 001	85G+87G	63
10800505 001	86P	64
10800510 001	86G	64
10801805 001	86L-P	64
10801810 001	86L-G	64
10801710 001	86PST-G	64
10801005 001	87P	65
10801007 001	87M	65
10801010 001	87G	65
10801305 001	87L-P	65
10801307 001	87L-M	65
10801310 001	87L-G	65
10801205 001	87PST-P	65
10801207 001	87PST-M	65
10801210 001	87PST-G	65
10801011 001	87XL	65
10801505 001	88-40	65
10801510 001	88-50	65
10801515 001	88-60	65
10802105 001	88L-40	66
10802110 001	88L-50	66
10802115 001	88L-60	66
10802205 001	88PST-40	66
10802210 001	88PST-50	66
10802215 001	88PST-60	66
10802005	89	66
10802010	89	66
10802015	89	66
10802505	90P	66
10802510	90G	66
10803005	92G	66
10803505 001	94P	66
10803510 001	94G	66
10804005 001	96G	67
10804505	100P	67
10804505 001	100P	67
10804510	100G	67
10804510 001	100G	67
10804605 001	100PST-P	67
10804610 001	100PST-G	67
10805005	105-20	67

10805105 001	105PST-20	67
10805205 001	106-20	68
10805210 001	106-27	68
10805305 001	106PST-20	68
10805310 001	106PST-27	68
10805505	110-20	68
10805505 001	110-20	68
10805510	110-24	68
10805510 001	110-24	68
10805515	110-27	68
10806005	115-20,5	68
10806005 001	115-20,5	68
10806010	115-24,5	68
10806010 001	115-24,5	68
10806015	115-28	68
10806405 001	115PST-20,5	68
10806410 001	115PST-24,5	68
10806415 001	115PST-28	68
10807305 001	117-20,5	69
10807310 001	117-24,5	69
10807315 001	117-28	69
10807405 001	117PST-20,5	69
10807410 001	117PST-24,5	69
10807415 001	117PST-28	69
10806501 001	120-M16	69
10806500 001	120-M18	69
10806505 001	120-M20	69
10806505 018	120-M20 HS700	69
10806509 001	120-M22	69
10806510 001	120-M24	69
10806510 018	120-M24 HS700	69
10807004 001	125-M18	69
10807005 001	125-M20	69
10807009 001	125-M22	69
10807010 001	125-M24	69
10807504 001	130-M18	69
10807505 001	130-M20	69
10807505 018	130-M20 HS700	69
10807509 001	130-M22	69
10807510 001	130-M24	69
10819616 046	130-WH-M20DX	71
10819621 046	130-WH-M24DX	71
10819617 046	130-WH-M20SX	71
10819622 046	130-WH-M24SX	71
10819615 046	130-WH-M20	71
10819620 046	130-WH-M24	71
10808001 001	135-M16	72
10808005 001	135-M18	72
10808009 001	135-M20	72
10808010 001	135-M22	72
10808014 001	135-M24	72
10808015 001	135-M27	72
10808505 001	140-M18	72
10808509 001	140-M20	72
10808510 001	140-M22	72
10808512 001	140-M24	72
10808515 001	140-M27	72
10809005 001	150-M18	72
10809009 001	150-M20	72
10809010 001	150-M22	72
10809012 001	150-M24	72
10824705 001	154-M18	72
10824710 001	154-M20	72
10824715 001	154-M22	72
10824720 001	154-M24	72
10824725 001	154-M27	72
10824405 001	154R-CV-M18	72
10824410 001	154R-CV-M20	72
10824415 001	154R-CV-M22	72
10824420 001	154R-CV-M24	72
10809501 001	155-M16	72
10809501 001	155-M18	72
10809505 001	155-M20	72
10809512 001	155-M22	72
10809510 001	155-M24	72
10809502 001	155B-M16	73
10809503 001	155B-M18	73
10809508 001	155B-M20	73
10809509 001	155B-M22	73
10809511 001	155B-M24	73
10824505 001	157-M18	73
10824510 001	157-M20	73
10824515 001	157-M22	73
10824520 001	157-M24	73
10824905 001	157AL-M18	73
10824910 001	157AL-M20	73
10824915 001	157AL-M22	73
10824920 001	157AL-M24	73
10824605 001	157CV-M18	73
10824610 001	157CV-M20	73
10824615 001	157CV-M22	73
10824620 001	157CV-M24	73

10823501	001	159-M16	73	12100323	165RN-40X60	76	10816505	190-30	80
10823505	001	159-M18	73	12100324	165RN-40X80	76	10816510	190-35	80
10823510	001	159-M20	73	12100325	165RN-50X100	76	10816515	190-40	80
10823515	001	159-M22	73	12100326	165RN-50X120	76	10817005	192-30	80
10823520	001	159-M24	73	12100327	165RN-50X150	76	10817010	192-35	80
10823525	001	159-M27	73	12100328	165RN-50X80	76	10817015	192-40	80
10823405	001	159R-CV-M18	73	12100560	001 165RZ-20X30	76	10818005	194-30	80
10823410	001	159R-CV-M20	73	12100561	001 165RZ-20X40	76	10818010	194-35	80
10823415	001	159R-CV-M22	73	12100562	001 165RZ-30X50	76	10818015	194-40	80
10823420	001	159R-CV-M24	73	12100563	001 165RZ-30X60	76	10818020	194-50	80
10810004	001	160-M16	74	12100564	001 165RZ-40X60	76	10818101	001 194PST-40X40	80
10810005	001	160-M18	74	12100565	001 165RZ-40X80	76	10701520	001 195-400	81
10810009	001	160-M20	74	12100405	165S-50	76	10701530	001 195-500	81
10810010	001	160-M22	74	12100410	165S-60	76	10701540	001 195-600	81
10810012	001	160-M24	74	12100415	165S-80	76	10701550	001 195-700	81
10810015	001	160-M27	74	12100420	165S-100	76	10200108	001 197	81
10810007	001	160B-M16	74	12100425	165S-120	76	10818505	196-30	81
10810008	001	160B-M18	74	12100430	165S-150	76	10818510	196-35	81
10810011	001	160B-M20	74	12100805	165T-30	76	10818515	196-40	81
10810013	001	160B-M22	74	12100810	165T-33	76	10819005	198-30	81
10810014	001	160B-M24	74	12100815	165T-42	76	10819010	198-35	81
10810016	001	160B-M27	74	12100820	165T-48	76	10819015	198-40	81
10801912	001	160XL	74	12100830	165T-76	76	10819015	198-40	81
10810301	001	161-M16	74	12100835	165T-89	76	10704701	199-40	81
10810300	001	161-M18	74	12100845	165T-114	76	10704705	199-50	81
10810305	001	161-M20	74	12100100	165TN-15	76	10704710	199-60	81
10810309	001	161-M22	74	12100105	165TN-20	76	10701505	001 200-P	81
10810310	001	161-M24	74	12100110	165TN-25	76	10701510	001 200-G	81
10810505	001	162-M20	74	12100111	165TN-30	76	10701450	001 201	82
10810510	001	162-M24	74	12100112	165TN-35	76	10701805	001 202-P	82
10810801	001	163-M16	74	12100115	165TN-40	76	10701810	001 202-G	82
10810805	001	163-M18	74	12100116	165TN-45	76	10704201	001 202F-A	82
10810809	001	163-M20	74	12100120	165TN-50	76	10704301	001 202F-B	82
10810810	001	163-M22	74	12100121	165TN-60	76	10704401	001 202F-C	82
10810814	001	163-M24	74	12100122	165TN-70	76	10704501	001 203	82
10810815	001	163-M27	74	12100123	165TN-80	76	10704550	001 204	83
10811005	001	164-M18	75	12100124	165TN-100	76	10900505	205	83
10811010	001	164-M22	75	10704601	001 166P	77	10906601	503 209	83
10811015	001	164-M27	75	10704602	001 166G	77	10906601	604 209	83
12100505	165-30	75	10700705	001 167	77	10901005	503 210-25-35	83	
12100510	165-40	75	10700905	001 169	77	10901005	516 210-25-35	83	
12100515	165-50	75	10701005	001 170	77	10901010	503 210-40-50	83	
12100520	165-60	75	10701205	001 171	77	10901010	516 210-40-50	83	
12100525	165-80	75	10821005	001 172-M18	77	10901015	503 210-50-60	83	
12100530	165-100	75	10821010	001 172-M20	77	10901015	516 210-50-60	83	
12100535	165-120	75	10821015	001 172-M24	77	10901020	503 210-60-70	83	
12100540	165-150	75	10820005	001 174-M16	78	10901020	516 210-60-70	83	
12100550	165-200	75	19926004	175G	78	10901305	503 211	83	
12100505	001 165Z-30	75	19926003	175P	78	10901305	516 211	83	
12100510	001 165Z-40	75	10820505	001 176-M16	78	10970005	503 212	83	
12100515	001 165Z-50	75	10819405	001 177-M12	78	10905501	503 213	83	
12100520	001 165Z-60	75	10819410	001 177-M16	78	11200501	001 215-50	104	
12100525	001 165Z-80	75	10819415	001 177-M20	78	11200505	001 215-60	104	
12100530	001 165Z-100	75	10819420	001 177-M24	78	11200601	001 215S-50	104	
12100535	001 165Z-120	75	10819405	018 177-M12 HS700	78	11200605	001 215S-60	104	
12100540	001 165Z-150	75	10819410	018 177-M16 HS700	78	11201005	001 216	104	
12100550	001 165Z-200	75	10819415	018 177-M20 HS700	78	11201701	217-40	104	
12100205	165N-12	75	10819420	018 177-M24 HS700	78	11201705	217-50	104	
12100206	165N-15	75	10819505	001 178-M12	78	11201710	217-60	104	
12100210	165N-20	75	10819510	001 178-M16	78	11202005	220-40	104	
12100215	165N-25	75	10819515	001 178-M20	78	11202010	220-50	104	
12100216	165N-30	75	10819520	001 178-M24	78	11215530	001 222-30	104	
12100217	165N-35	75	10819505	018 178-M12 Hs700	78	11215535	001 222-35	104	
12100220	165N-40	75	10819510	018 178-M16 Hs700	78	11215540	001 222-40	104	
12100221	165N-45	75	10819515	018 178-M20 Hs700	78	11215545	001 222-45	104	
12100225	165N-50	75	10819520	018 178-M24 Hs700	78	11215550	001 222-50	104	
12100226	165N-60	75	10814005	001 180-M18	79	11215560	001 222-60	104	
12100227	165N-70	75	10814010	001 180-M22	79	11215531	001 223-30	105	
12100228	165N-80	75	10814015	001 180-M27	79	11215536	001 223-35	105	
12100229	165N-100	75	10814505	001 182-M18	79	11215541	001 223-40	105	
12100560	165R-20X30	75	10814510	001 182-M22	79	11215546	001 223-45	105	
12100561	165R-20X40	75	10814515	001 182-M27	79	11215551	001 223-50	105	
12100562	165R-30X50	75	10814506	001 182B-M18	79	11215561	001 223-60	105	
12100563	165R-30X60	75	10814507	001 182B-M22	79	11500440	001 RG2-100.50	100	
12100564	165R-40X60	75	10814516	001 182B-M27	79	11500442	001 RG2-100.60	100	
12100565	165R-40X80	75	10815005	001 184-M18	79	11500444	001 RG2-100.80	100	
12100303	165RN-15X30	76	10815010	001 184-M22	79	11500441	001 RG2-120.50	100	
12100304	165RN-20X100	76	10815015	001 184-M27	79	11500443	001 RG2-120.60	100	
12100305	165RN-20X30	76	10817505	001 185-M18	79	11500445	001 RG2-120.80	100	
12100310	165RN-20X40	76	10817510	001 185-M22	79	11500406	001 RG2-140.80	100	
12100311	165RN-20X50	76	10817515	001 185-M27	79	11500408	001 RG2-140.100	100	
12100312	165RN-20X60	76	10815505	001 186-M18	79	11500450	001 RG3-120.50	100	
12100320	165RN-25X40	76	10815510	001 186-M22	79	11500451	001 RG3-120.60	100	
12100315	165RN-25X50	76	10815515	001 186-M27	79	11500452	001 RG3-120.80	100	
12100313	165RN-30X120	76	10816005	001 188-M18	80	11500413	001 RG3-140.80	100	
12100314	165RN-30X40	76	10816010	001 188-M22	80	11500414	001 RG3-140.100	100	
12100316	165RN-30X50	76	10816015	001 188-M27	80	10131110	001 RG-10 P	100	
12100317	165RN-30X60	76	10822018	001 189-M18	80	10131101	001 RG-10 G	100	
12100318	165RN-30X80	76	10822020	001 189-M20	80	12301600	001 RG-15	100	
12100319	165RN-40X100	76	10822022	001 189-M22	80	10131102	001 RG-20	100	
12100321	165RN-40X120	76	10822024	001 189-M24	80	11400539	001 RG-30 P 2MT	101	
12100322	165RN-40X50	76	10822027	001 189-M27	80	11400534	001 RG-30 G 2MT	101	
						11500420	001 RG-40	101	

11500421	RG-45	101	10204012	001	287P-015-Sp3	114	11504560	001	310-140	119	
11306415	001	RG-252	101	10204018	001	287-017-Sp3	114	11504570	001	310-160	119
11306410	001	RG-254	101	10204020	001	287-017-Sp3	114	11504580	001	310-200	119
10210105	001	RG-387.3M	101	10204013	001	287G-019-Sp3	114	11505040	001	315-100	119
10210101	001	RG-387.6M	101	10204007	001	287G-019-Sp3	114	11505050	001	315-120	119
11400639	RG-30I P 2MT	101	10204014	001	287G-019-Sp3	114	11505060	001	315-140	119	
11400634	RG-30I G 2MT	101	10204008	001	287G-019-Sp3	114	11505070	001	315-160	119	
11300505	001	227-30	105	10204015	001	287G-019-Sp4	114	11505080	001	315-200	119
11300510	001	227-42	105	10204009	001	287G-019-Sp4	114	11506040	001	320V-100	120
11301021	001	228-30 nylon	105	10204016	001	287G-019-Sp4	114	11506050	001	320V-120	120
11301031	001	228-40 nylon	105	10204010	001	287G-019-Sp4	114	11506070	001	320V-160	120
11301041	001	228-50 gomma	105	10204201	001	287FP-G	114	11506080	001	320V-200	120
19915400	001	SP-228-50 nylon	105	10204202	001	287FP-G	114	11506090	001	320V-250	120
11308002	001	229-32 gomma	105	10201501	001	289P-015-Sp3	114	11505540	001	320V-100	120
11308003	001	229-39 gomma	105	10201502	001	289P-015-Sp3	114	11505550	001	320U-120	120
11308001	001	229-45 gomma	105	10201505	001	289G-019-Sp3	114	11505570	001	320U-160	120
11301005	001	230-25	105	10201510	001	289G-019-Sp3	114	11505580	001	320U-200	120
11301010	001	230-30	105	10201517	001	289LG-019-Sp3	114	11505590	001	320U-250	120
11301015	001	230-40	105	10201518	001	289LG-019-Sp3	114	11506240	001	320V-100	120
11301017	001	230-41	105	10601501	001	290	114	11506250	001	320V-120	120
11301020	001	230-42	105	10602005	001	291	115	11506270	001	320V-160	120
11301505	001	231-52	105	10201905	001	292	115	11506280	001	320V-200	120
11302210	001	232-30	106	10201910	001	292	115	11506290	001	320V-250	120
11302215	001	232-40	106	10201705	001	293	115	11507040	001	322V-100	120
11302211	001	232N-30 nylon	106	10201710	001	293	115	11507041	001	322V-100	120
11302217	001	232N-40 nylon	106	10602205	001	294	115	11507050	001	322V-120	120
11301009	001	233-25	106	10602405	001	295	115	11507051	001	322V-120	120
11301014	001	233-30	106	10601605	001	297	115	11507070	001	322V-160	120
11301022	001	233-40	106	10601610	001	297G	115	11507071	001	322V-160	120
11302005	001	235-35	106	11501001	001	300V-40	118	11507072	001	322V-160	120
11302010	001	240-37,5	106	11501005	001	300V-50	118	11507080	001	322V-200	120
11302505	001	242-37,5	106	11501010	001	300V-60	118	11507081	001	322V-200	120
11303005	001	243-25	107	11501015	001	300V-70	118	11507082	001	322V-200	120
11303010	001	243-30	107	11501020	001	300V-80	118	11507090	001	322V-250	120
11303015	001	243-40	107	11501030	001	300V-90	118	11506540	001	322V-100	120
11303505	001	244-25	107	11501040	001	300V-100	118	11506541	001	322U-100	120
11303510	001	244-30	107	11501050	001	300V-120	118	11506550	001	322U-120	120
11303515	001	244-40	107	11501060	001	300V-140	118	11506551	001	322U-120	120
11304005	001	245-32	107	11501070	001	300V-160	118	11506570	001	322U-160	120
11304010	001	245-35	107	11501080	001	300V-200	118	11506571	001	322U-160	120
11304015	001	245-42	107	11500501	001	300U-40	118	11506572	001	322U-160	120
11305005	001	247	107	11500505	001	300U-50	118	11506580	001	322U-200	120
11305008	001	247F	107	11500510	001	300U-60	118	11506581	001	322U-200	120
11305505	001	250-220	107	11500515	001	300U-70	118	11506582	001	322U-200	120
11305805	001	251-220	108	11500520	001	300U-80	118	11506590	001	322U-250	120
11305810	001	251-300	108	11500530	001	300U-90	118	11507240	001	322Y-100	121
11306205	001	252-200	108	11500540	001	300U-100	118	11507241	001	322Y-100	121
11305701	001	253-40	108	11500550	001	300U-120	118	11507250	001	322Y-120	121
11305405	001	254	108	11500560	001	300U-140	118	11507251	001	322Y-120	121
11306005	001	255-220	108	11500570	001	300U-160	118	11507270	001	322Y-160	121
11306009	001	255-220 D40	108	11500580	001	300U-200	118	11507271	001	322Y-160	121
11306010	001	255-350	108	11502040	001	305V-100	118	11507272	001	322Y-160	121
11306004	001	255N-220	108	11502050	001	305V-120	118	11507280	001	322Y-200	121
11306011	001	255N-350	108	11502060	001	305V-140	118	11507281	001	322Y-200	121
11305905	001	256-220	109	11502070	001	305V-160	118	11507282	001	322Y-200	121
11305910	001	256-300	109	11502080	001	305V-200	118	11507290	001	322Y-250	121
11306510	001	257-300	109	11501540	001	305U-100	118	11507540	001	323-100	121
11306515	001	257-400	109	11501550	001	305U-120	118	11507550	001	323-120	121
11306520	001	257-500	109	11501560	001	305U-140	118	11507570	001	323-160	121
11306525	001	257-600	109	11501570	001	305U-160	118	11507580	001	323-200	121
11306530	001	257-700	109	11501580	001	305U-200	118	11507590	001	323-250	121
11306535	001	257-800	109	11502510	001	306Y-60	118	11508040	001	324-100	121
11306405	001	258-30	109	11502520	001	306Y-80	118	11508041	001	324-100	121
11400505	001	260-22x22	109	11502530	001	306Y-90	118	11508050	001	324-120	121
11400510	001	260-22x22	109	11502540	001	306Y-100	118	11508051	001	324-120	121
11400515	001	260-30x30	109	11502550	001	306Y-120	118	11508070	001	324-160	121
11400518	001	260-30x30	109	11502560	001	306Y-140	118	11508071	001	324-160	121
11400102	001	261-26X20	109	11502570	001	306Y-160	118	11508072	001	324-160	121
11401205	001	262-30x8	109	11502580	001	306Y-200	118	11508080	001	324-200	121
11401005	001	262-30x12	109	11503040	001	307Y-100	119	11508081	001	324-200	121
11401010	001	262-30x12	109	11503050	001	307Y-120	119	11508082	001	324-200	121
11401710	001	263	110	11503060	001	307Y-140	119	11508090	001	324-250	121
11401505	001	264	110	11503070	001	307Y-160	119	11509010	001	325V-60	121
11402001	001	265	110	11503080	001	307Y-200	119	11509020	001	325V-80	121
11402005	001	265	110	11503505	001	308-50	119	11509030	001	325V-90	121
11402002	001	265L	110	11503510	001	308-60	119	11509040	001	325V-100	121
11402505	001	266	110	11503520	001	308-80	119	11508510	001	325U-60	121
10902005	001	270P	110	11504020	001	309-80	119	11508520	001	325U-80	121
10902010	001	270G	110	11504040	001	309-100	119	11509240	001	326V-100	122
10903005	001	272	111	11504050	001	309-120	119	11508740	001	326U-100	122
10702005	001	275	111	11504060	001	309-140	119	11509510	001	327-60	122
10702011	001	275F-30	111	11504501	001	310-40	119	11509520	001	327-80	122
10702016	001	275F-40	111	11504505	001	310-50	119	11509525	001	327-80S	122
10702021	001	275F-50	111	11504510	001	310-60	119	11509740	001	328-100	122
10702026	001	275F-60	111	11504515	001	310-70	119	11510510	001	330V-60	122
10812005	001	282-40x40	111	11504520	001	310-80	119	11510515	001	330V-70	122
10813005	001	285-40x40	111	11504525	001	310-80S	119	11510520	001	330V-80	122
GEE000BXNOB00		EAGLE BOX	111	11504530	001	310-90	119	11510530	001	330V-90	122
GEE000BXNOG00		EAGLE BOX-HG	111	11504535	001	310-90S	119	11510540	001	330V-100	122
10204001	001	287P-015-Sp3	114	11504540	001	310-100	119	11510550	001	330V-120	122
10204011	001	287P-015-Sp3	114	11504545	001	310-100S	119	11510560	001	330V-140	122
10204002	001	287P-015-Sp3	114	11504550	001	310-120	119	11510010	001	330U-60	122

11510015 001	330U-70	122	11516040 001	340-100	125	11607114	430SX-140	130
11510020 001	330U-80	122	11516050 001	340-120	125	11607114 001	430SX-140	130
11510030 001	330U-90	122	11517020	342-80	125	11607117	430SX-170	130
11510040 001	330U-100	122	11517030	342-90	125	11607117 001	430SX-170	130
11510050 001	330U-120	122	11517040	342-100	125	11607120	430SX-200	130
11510060 001	330U-140	122	12400503 001	400-9	128	11607308	431-80	131
11510710 001	330Y-60	123	12400504 001	400-10	128	11607338	431-80 Sp3	131
11510715 001	330Y-70	123	12400505 001	400-11	128	11607310	431-100	131
11510720 001	330Y-80	123	12400510 001	400-12	128	11607311	431-110	131
11510730 001	330Y-90	123	12400515 001	400-14	128	11607312	431-120	131
11510740 001	330Y-100	123	12400520 001	400-16,5	128	11698010	435-30X30	131
11510750 001	330Y-120	123	12400525 001	400-20	128	11697010	435-40X30	131
11510760 001	330Y-140	123	15400712 001	401S-12	128	11698020	436-30X30	131
11511010 001	332-60	123	15400714 001	401S-14	128	11697020	436-40X30	131
11511015 001	332-70	123	15400720 001	401S-20	128	11698030	437-30X30	131
11511020 001	332-80	123	15400506 001	401Z-6	128	11697030	437-40X30	131
11511025 001	332-80S	123	15400508 001	401Z-8	128	11607509	440-90	131
11511030 001	332-90	123	15400509 001	401Z-9	128	11608009	445-90	131
11511035 001	332-90S	123	15400510 001	401Z-10	128	11608509	450-90	132
11511040 001	332-100	123	15400511 001	401Z-11	128	11609009	455-90	132
11511045 001	332-100S	123	15400512 001	401Z-12	128	11609518	456-180	132
11511050 001	332-120	123	15400514 001	401Z-14	128	11610018	457-180	132
11511060 001	332-140	123	11604006	402-60	128	11610518	458-180	132
11512040 001	333W-100	123	11604008	402-80	128	11611018	459-180	132
11512050 001	333W-120	123	11604010	402-100	128	11611518	460-180	133
11512060 001	333W-140	123	11604012	402-120	128	11612018	465-180	133
11511540 001	333U-100	123	11604014	402-140	128	11612518	470-180	133
11511550 001	333U-120	123	11604006 001	402Z-60	128	11613018	475-180	133
11511560 001	333U-140	123	11604008 001	402Z-80	128	11613518	480-180	133
11512240 001	333V-100	123	11604010 001	402Z-100	128	11614018	482-180	133
11512250 001	333V-120	123	11604012 001	402Z-120	128	11614518	485-180	134
11512260 001	333V-140	123	11604014 001	402Z-140	128	11615018	487-180	134
11512540 001	334-100	123	11604514	405-140	128	11615710	490T-100	134
11512550 001	334-120	123	11604517	405-170	128	11615712	490T-120	134
11512560 001	334-140	123	11604520	405-200	128	11647012	490-120	134
11513520 001	335V-80	124	11604514 001	405Z-140	129	11647014	490-140	134
11513530 001	335V-90	124	11604517 001	405Z-170	129	11616210	492T-100	134
11513540 001	335V-100	124	11604520 001	405Z-200	129	11647112	492-120	134
11513550 001	335V-120	124	11605008	410-80	129	11616212	492T-120	134
11513560 001	335V-140	124	11605010	410-100	129	11647114	492-140	134
11513020 001	335U-80	124	11605012	410-120	129	11616214	492T-140	134
11513030 001	335U-90	124	11605014	410-140	129	11647210	494-100	134
11513040 001	335U-100	124	11605008 001	410Z-80	129	11616610	494T-100	134
11513050 001	335U-120	124	11605010 001	410Z-100	129	11647215	494-150	134
11513060 001	335U-140	124	11605012 001	410Z-120	129	11647310	495-100	134
11513720 001	335Y-80	124	11605014 001	410Z-140	129	11615910	495T-100	134
11513730 001	335Y-90	124	11607514	411-170	129	11647315	495-150	134
11513740 001	335Y-100	124	11605514	415-140	129	11615915	495T-150	134
11513750 001	335Y-120	124	11605517	415-170	129	19912001	SP-495PS-100	134
11513760 001	335Y-140	124	11605520	415-200	129	19912005	SP-495PS-150	134
11514530 001	336V-90	124	11605514 001	415Z-140	129	11647410	496-100	135
11514540 001	336V-100	124	11605517 001	415Z-170	129	11617610	496T-100	135
11514550 001	336V-120	124	11605520 001	415Z-200	129	11647415	496-150	135
11514560 001	336V-140	124	11606006	420-60	130	11617615	496T-150	135
11514570 001	336V-160	124	11606006 001	420-60	130	11648010	497-100	135
11514580 001	336V-200	124	11606008	420-80	130	11615810	497T-100	135
11514030 001	336U-90	124	11606008 001	420-80	130	11615810 001	497T-100	135
11514040 001	336U-100	124	11606010	420-100	130	11648015	497-150	135
11514050 001	336U-120	124	11606010 001	420-100	130	11615815	497T-150	135
11514060 001	336U-140	124	11606012	420-120	130	11648010 001	497Z-100	135
11514070 001	336U-160	124	11606012 001	420-120	130	11648015 001	497Z-150	135
11514080 001	336U-200	124	11606014	420-140	130	19912240	497PS-100	135
11514730 001	336V-90	124	11606014 001	420-140	130	19912245	497PS-150	135
11514740 001	336V-100	124	11606514	425-140	130	11648110	498-100	135
11514750 001	336V-120	124	11606514 001	425-140	130	11616710	498T-100	135
11514760 001	336V-140	124	11606517	425-170	130	11648115	498-150	135
11514770 001	336V-160	124	11606517 001	425-170	130	11616715 001	498T-150	135
11514780 001	336V-200	124	11606520	425-200	130	11648110 001	498Z-100	135
11515020 001	337-80	125	11606612	425PS-120	130	11648115 001	498Z-150	135
11515025 001	337-80S	125	11606614	425PS-140	130	11618515	500-150	135
11515030 001	337-90	125	11606617	425PS-170	130	11650010	501-100	135
11515035 001	337-90S	125	11607006	430DX-60	130	11650012	501-120	135
11515040 001	337-100	125	11607006 001	430DX-60	130	11650014	501-140	135
11515045 001	337-100S	125	11607008	430DX-80	130	11650016	501-160	135
11515050 001	337-120	125	11607008 001	430DX-80	130	11619015	505-150	135
11515056 001	337-120S	125	11607010	430DX-100	130	11619515	510-150	135
11515060 001	337-140	125	11607010 001	430DX-100	130	11619515 001	510Z-150	135
11515530 001	338-90	125	11607012	430DX-120	130	11620015	515-150	136
11515540 001	338-100	125	11607012 001	430DX-120	130	11620515	520-150	136
11515550 001	338-120	125	11607014	430DX-140	130	11621015	525-150	136
11515560 001	338-140	125	11607014 001	430DX-140	130	11621515	530-150	136
11515570 001	338-160	125	11607017	430DX-170	130	11621615	540DX	136
11515580 001	338-200	125	11607017 001	430DX-170	130	11621605	540SX	136
11515621 001	339V-120	125	11607020	430DX-200	130	11621620	541DX	136
11515622 001	339V-160	125	11607106	430SX-60	130	11621610	541SX	136
11515611 001	339U-120	125	11607106 001	430SX-60	130	11621705	542-70	137
11515612 001	339U-160	125	11607108	430SX-80	130	11621710	543-70	137
11515641 001	339-120	125	11607108 001	430SX-80	130	11621805	544-15	137
11515642 001	339-160	125	11607110	430SX-100	130	11601005	545-0	137
19907301 001	339-250	125	11607110 001	430SX-100	130	11601010	545-C	137
11516010 001	340-60	125	11607112	430SX-120	130	11601015	545-CS	137
11516020 001	340-80	125	11607112 001	430SX-120	130	12100905	546-0	137

12100910	546-C	137	11701010 001	625	144	11905535 001	740-600	151
12100915	546-CS	137	11701105 001	627P	144	11905540 001	740-800	151
12100950	547-DX-M	137	11701110 001	627G	144	11906005 001	745-200	151
12100960	547-SX-M	137	11701205	628	144	11906010 001	745-250	151
12100955	547-DX-B	137	11701505 001	630	144	11906015 001	745-300	151
12100965	547-SX-B	137	11702005	635	144	11906020 001	745-400	151
12100970	548-27,5-M	138	11702505	640	144	11906025 001	745-500	151
12100980	548-25,5-M	138	11703005	645	145	11906030 001	745-600	151
12100975	548-27,5-B	138	11703505	650	145	11906035 001	745-800	151
12100985	548-25,5-B	138	11704005	655	145	11906500 001	750-100	151
11622030	550-300	138	10904005 001	660DX	145	11906505 001	750-150	151
11622530	551-300	138	10904010 001	660SX	145	11906510 001	750-200	151
11623030	552-300	138	10904505 001	662	145	11906705 005	752-130	151
11628506	560T-60	138	11801005 001	670	145	11906710 005	752-145	151
11628506 001	560T-60	138	11000400 503	671P	146	11906715 005	752-170	151
11647608	560-80	138	11000401 503	671G	146	11906720 005	752-195	151
11647608 001	560Z-80	138	11900505 001	673	146	11907005 001	755-200	152
11647610	560-100	138	10905006 503	674	146	11907010 001	755-300	152
11628510	560T-100	138	11000505 503	675P	146	11907015 001	755-400	152
11647612	560-120	138	11000510 503	675G	146	11907020 001	755-500	152
11628512	560T-120	138	11001005 503	677P	146	11907505 001	760-180	152
11647614	560-140	138	11001010 503	677G	146	11907510 001	760-215	152
11628514	560T-140	138	11001505 503	678P	146	11907515 001	760-270	152
11628516	560-160	138	11001510 503	678G	146	11908005 001	800-200	152
11628518	560-180	138	11002505 503	679P	147	11908010 001	800-250	152
11647710	564-100	139	11002510 503	679G	147	11908015 001	800-300	152
11615911	564T-100	139	11203005 001	680	147	11908020 001	800-400	152
11647712	564-120	139	11203505 001	682	147	11908025 001	800-500	152
11615912	564T-120	139	10205505 001	683	147	11908030 001	800-600	152
11647714	564-140	139	10205510 001	683	147	11908035 001	800-800	152
11615914	564T-140	139	11204005 700	684	147	11908505 005	805-80	152
11615916	564-160	139	11204805 503	685	147	11908510 005	805-120	152
11615918	564-180	139	11204705 503	686	148	11908515 005	805-160	152
11615604	570-40	139	10206005 001	687	148	11908520 005	805-200	152
11615606	570-60	139	10206010 001	687	148	11909005 005	810-150	152
11615608	570-80	139	10206510 001	688	148	11909010 005	810-200	152
11615610	570-100	139	10206515 001	689-8	148	11909015 005	810-250	152
11615612	570-120	139	10206520 001	689-10	148	11909020 005	810-300	152
11615614	570-140	139	10206525 001	689-12	148	11909025 005	810-400	152
11616104	572-40	139	10206530 001	689-14	148	11909505 005	820-200	152
11616106	572-60	139	11901005 001	700Z	148	11909510 005	820-300	152
11616108	572-80	139	11901206 001	704-16	148	11909515 005	820-400	152
11616110	572-100	139	11901211 001	704-20	148	11909520 005	820-500	152
11616112	572-120	139	11901216 001	704-24	148	11910005 005	825-150	153
11616114	572-140	139	11901215 001	704-24	148	11910010 005	825-200	153
11617110	574-100	139	11901605 001	705-16	149	11910015 005	825-250	153
11617115	574-150	139	11901610 001	705-20	149	11910020 005	825-300	153
11617210	575-100	139	11901615 001	705-24	149	11910025 005	825-400	153
11617215	575-150	139	11901805 001	706	149	11910030 005	825-500	153
11617310	576-100	139	11901905 001	707	149	11910035 005	825-600	153
11617314	576-140	139	11901705 001	708	149	11910040 005	825-800	153
11617315	576-150	139	11902005 001	710-130	149	12002005 005	827	153
11648310	577-100	140	11902010 001	710-300	149	11910505 005	835-200	153
11648314	577-140	140	11902015 001	710-500	149	11910510 005	835-300	153
11648315	577-150	140	11902505 001	712-130	149	11910515 005	835-400	153
11648315 001	577Z-150	140	11902510 001	712-300	149	11910520 005	835-500	153
11617915	577PS-150	140	11902515 001	712-500	149	11910525 005	835-600	153
11648410	578-100	140	11903005 001	714-330	150	11910530 005	835-800	153
11648414	578-140	140	11903010 001	714-660	150	12002505 005	837	153
11648415	578-150	140	11903505 001	716-330	150	11911005 001	840-200	153
11658006	580T-60	140	11903510 001	716-660	150	11911010 001	840-300	153
11658008	580T-80	140	11903905 001	719	150	11911015 001	840-400	153
11658010	580T-100	140	11904005 001	720-350	150	11911020 001	840-500	153
11658012	580T-120	140	11904010 001	720-450	150	11911025 001	840-600	153
11658014	580T-140	140	11904015 001	720-600	150	11911045 001	840-1000	153
11658016	580T-160	140	11904020 001	720-800	150	11911505 001	840D-200	153
11658018	580T-180	140	11904505 001	725-450	150	11911510 001	840D-300	153
11658020	580T-200	140	11904510 001	725-600	150	11911515 001	840D-400	153
11658410	584T-100	140	11904515 001	725-800	150	11911520 001	840D-500	153
11658412	584T-120	140	11904705 001	732Z	150	11911525 001	840D-600	153
11658414	584T-140	140	11905005 001	735-150	151	12003005 001	852	154
11658416	584T-160	140	11905010 001	735-200	151	12003505 001	855	154
11658418	584T-180	140	11905015 001	735-250	151	12004005 001	857	154
11658420	584T-200	140	11905020 001	735-300	151	15700005 503	866-05	154
10703005 001	590	140	11905025 001	735-400	151	15700010 503	866-10	154
10703015 001	591-16	140	11905030 001	735-500	151	15700015 503	867-05	154
10703020 001	591-18	140	11905035 001	735-600	151	15700020 503	868-05	154
10703025 001	591-20	140	11905040 001	735-800	151	15700025 503	868-15	154
11623505	600-65	141	11905205 001	737-150	151	15700030 503	869-05	155
11623510	600-85	141	11905210 001	737-200	151	15700035 503	869-15	155
11624005	606-65	141	11905215 001	737-250	151	15700040 503	871-05	155
11624010	606-85	141	11905220 001	737-300	151	15700045 503	871-10	155
11805010 001	607-30	141	11905225 001	737-400	151	15700050 503	873-05	155
11805005 001	607-35	141	11905230 001	737-500	151	15700055 503	873-10	155
11805020 001	608-30	141	11905235 001	737-600	151	15700060 503	874-05	155
11805015 001	608-35	141	11905240 001	737-800	151	15700065 503	875-05	155
11805030 001	609-30	141	11905505 001	740-150	151	15700070 503	875-10	155
11805025 001	609-35	141	11905510 001	740-200	151	15700075 503	876-05	155
12207505 001	615-10	141	11905515 001	740-250	151	15700080 503	876-10	156
12207510 001	615-12	141	11905520 001	740-300	151	15700085 503	877	156
11700505 001	620	144	11905525 001	740-400	151	15700090 503	877S	156
11701005 001	625	144	11905530 001	740-500	151	15800005	878-06	156

15800010	878-08	156	10207007 001	CGS-345P	194	10210101 001	RG-387.6M	204
15800015	878-10	156	10207020 001	CGS-345G	194	10210010 503	388	204
15800020	878-12	156	10207022 001	CGS-345G	194	10118350 503	395 DX	205
15800025	878-14	156	10207032	CGS-345XL	194	10118360 503	395 SX	205
15800030	878-16	156	10131005 001	CG-05P	195	10118305 503	396	205
15800035	878-18	156	10131010 001	CG-05G	195	10203011 001	398-3000	205
15800040	878-20	156	10131100 001	CG-10	195	10203012 001	398-6000	205
15800045	878-22	156	10708001 001	CG-15M	195	10203006 001	399-3000	205
15800505	879-06	156	10708005 001	CG-15P	195	10203008 001	399-5500	205
15800510	879-08	156	10708010 001	CG-15G	195	10203007 001	399-6000	205
15800515	879-10	156	10707101 001	CG-20M	195	11000400 503	671 P	205
15800520	879-12	156	10707105 001	CG-20P	195	11000401 503	671 G	205
15800525	879-14	156	10707110 001	CG-20G	195	11205006 503	690 MC DX	206
15800530	879-16	156	10707135 001	CG-20XL	195	11205006 001	690 MC DX	206
15800535	879-18	156	10707001 001	CGA-20M	195	11205011 503	690 MC SX	206
15800540	879-20	156	10707005 001	CGA-20P	195	11205011 001	690 MC SX	206
15800545	879-22	156	10707115 001	CG-21M	195	12001105 503	691 P	206
10131500 001	CGS-500.8 M	164	10707120 001	CG-21P	195	12001105 001	691 P	206
10131501 001	CGS-500.8 P	164	10707125 001	CG-21G	195	12001505 503	691 G	206
10131502 001	CGS-500.8 G	164	10707501 001	CG-25M	196	12001505 001	691 G	206
10131600 001	CG-58	165	10707505 001	CG-25P	196	10203503 003	692 P/1200	206
10131601 001	CG-58 G	165	10707510 001	CG-25G	196	10203503 001	692 P/1200	206
11400410 001	CG-50 M	165	10707601 001	CG-30M	196	10203515 003	692 P/3000	206
11400411 001	CG-50 P	165	10707605 001	CG-30P	196	10203515 001	692 P/3000	206
11400412 001	CG-50 G	165	10707610 001	CG-30G	196	10203504 003	692 P/4800	206
10131103 001	CG-55 M	165	10707705 001	CG-35P	196	10203504 001	692 P/4800	206
10131104 001	CG-55 P	165	10707710 001	CG-35G	196	10203518 003	692 G/1200	206
10131105 001	CG-55 G	165	10131400 001	CG-40	196	10203518 001	692 G/1200	206
10130404 001	CGS-600.18 M	180	11310005 001	CG-251	196	10203530 003	692 G/3000	206
10130405 001	CGS-600.18 P	180	11310100 001	CG-252	196	10203530 001	692 G/3000	206
10130406 001	CGA-600.10 M	180	10210150 001	CG-254	197	10203540 003	692 G/4800	206
10130407 001	CGA-600.10 P	180	11310300 001	CG-256-40	197	10203540 001	692 G/4800	206
10131015 001	CG-06 M	181	11310301 001	CG-256-50	197	11207006 503	693 MC DX	206
10131020 001	CG-06 P	181	10705501 001	CGS-346M	197	11207011 503	693 MC SX	206
10130515 001	CG-65	181	10705505 001	CGS-346P	197	11205506 503	694 MC DX	207
19912494	KIT CGA 150-300K 3M	188	10705510 001	CGS-346G	197	11205506 001	694 MC DX	207
19912495	KIT CGA 150-600K 6M	188	10705515 001	CGS-346XL	197	11205511 503	694 MC SX	207
19912326	KIT CGS 150-300K BASIC 3M	188	10705200 001	CGA-347M	197	11205511 001	694 MC SX	207
19912333	KIT CGS 150-300K BASIC 6M	188	10705205 001	CGA-347P	197	10203703 003	695 P/1200	207
19912330	KIT CGS 150-300K TOP 3M	188	10705001 001	CGS-347M	197	10203703 001	695 P/1200	207
19912331	KIT CGS 150-300K TOP 6M	188	10705005 001	CGS-347P	197	10203715 003	695 P/3000	207
19912324	KIT CGS 150-600K BASIC 3M	189	10705010 001	CGS-347G	197	10203715 001	695 P/3000	207
19912334	KIT CGS 150-600K BASIC 6M	189	10705015 001	CGS-347XL	197	10203704 003	695 P/4800	207
19912325	KIT CGS 150-600K TOP 3M	189	10130505 001	CG-348	197	10203704 001	695 P/4800	207
19912332	KIT CGS 150-600K TOP 6M	189	10130510 001	CG-348	197	10203718 003	695 G/1200	207
10130030 001	CGS-250.5M	190	10700405	239	200	10203718 001	695 G/1200	207
10130031 001	CGS-250.5P	190	10701705 001	246	200	10203730 003	695 G/3000	207
10130032 001	CGS-250.5G	190	11307500 001	248-60	200	10203730 001	695 G/3000	207
10130003 001	CGS-250.8M	190	11307501 001	248-70	200	10203740 003	695 G/4800	207
10130007 001	CGS-250.8P	190	11307505 001	248-80	200	10203740 001	695 G/4800	207
10130012 001	CGS-250.8G	190	10401505 001	249-30	200	10203702 003	695 PM/1200	207
10130001 001	CGS-350.5M	190	10902005 001	270 P	200	10203702 001	695 PM/1200	207
10130005 001	CGS-350.5P	190	10902010 001	270 G	200	10203701 003	695 GM/1200	207
10130010 001	CGS-350.5G	190	10903005 001	272 G	200	10203701 001	695 GM/1200	207
10130043 001	CGS-350.5XL	190	10602505 001	352 P	201	11206006 503	696 MC DX	207
10130600 001	CGA-350.5M	190	10602510 001	352 G	201	11206006 001	696 MC DX	207
10130605 001	CGA-350.5P	190	10603006 001	354-185	201	11206011 503	696 MC SX	207
10130002 001	CGS-350.8M	190	10603011 001	354-330	201	11206011 001	696 MC SX	207
10130006 001	CGS-350.8P	190	10603007 001	355 P	201	11206506 503	698 MC DX/50	208
10130011 001	CGS-350-8G	190	10603012 001	355 G	201	11206526 503	698 MC DX/80	208
10130064 001	CGS-WB-350.9P	191	10603013 001	355 S	201	11206506 001	698 MC DX/50	208
10130065 001	CGS-WB-350.9G	191	10604005 001	356 P	201	11206526 001	698 MC DX/80	208
10130070 001	CGS-450.9-20K	192	10202010 001	358	202	11206511 503	698 MC SX/50	208
10207040	CGS-495-20K	193	10702505	361 P	202	11206531 503	698 MC SX/80	208
10705520 001	CGS-496-20K	193	10702510	361 G	202	11206511 001	698 MC SX/50	208
10705020 001	CGS-497-20K	193	10702611	362	202	11206531 001	698 MC SX/80	208
11310401 001	CGS-499	193	10702705	363	202	11003500	699	208
10207004	CGS-245M	194	10702405	364	202	11630405 503	A370 P	208
10207024	CGS-245M	194	10702905 001	365	202	11630905 503	A371 P	208
10207006	CGS-245P	194	10702220	366-42	203	11630505 503	A380 P	208
10207025	CGS-245P	194	10702310	367 A	203	11630511 503	A380 G	208
10207014	CGS-245G	194	10113007 001	375 P/16	203	11634005 503	A380 R	209
10207026	CGS-245G	194	10113006 001	375 P/20	203	11631005 503	A381 P	209
10207004 001	CGS-245M	194	10113010 001	375 G	203	11631011 503	A381 G	209
10207024 001	CGS-245M	194	10113402 001	376 P/16	203	11632405 503	A384 P	209
10207006 001	CGS-245P	194	10113401 001	376 P/20	203	11632505 503	A385 P	209
10207025 001	CGS-245P	194	10118550 001	377 P	203	11644015 503	P365	209
10207014 001	CGS-245G	194	10118535 001	377 G/290	203	11645515 503	P365R	210
10207026 001	CGS-245G	194	10118535 003	377 G/290	203	11644500 503	P368 I	210
10208001	CGA-345M	194	10118540 001	377 G/330	203	11644550 503	P368 S	210
10208003	CGA-345M	194	10118540 003	377 G/330	203	11644560 503	P368 M	210
10208005	CGA-345P	194	10118530 001	377 R/330	204	11640710 503	P 370	210
10208007	CGA-345P	194	10118530 003	377 R/330	204	11641210 503	P371	210
10207001	CGS-345M	194	10118701 001	377 G-SC	204	11640510 503	P380	211
10207002	CGS-345M	194	10310505 001	378 P	204	11641010 503	P381	211
10207005	CGS-345P	194	10310510 001	378 G	204	11642510 503	P385	211
10207007	CGS-345P	194	10311005 001	379 P	204	10310701	R383-33	211
10207020	CGS-345G	194	10311008 001	379 G/135	204	10310702	R383-13,5	211
10207022	CGS-345G	194	10311008 003	379 G/135	204	10310601 001	R378	211
10207001 001	CGS-345M	194	10311010 001	379 G/200	204	12400526 003	400-20X36X11	211
10207002 001	CGS-345M	194	10311010 003	379 G/200	204	10800305	84i	214
10207005 001	CGS-345P	194	10210105 001	RG-387.3M	204	10800605	86i-P	214

10800610	86i-G	214	11501460	300i-V140	217	11604620	405i-P	219
10801105	87i-P	214	11501470	300i-V160	217	11605208	410i-80	219
10801110	87i-G	214	11501480	300i-V200	217	11605210	410i-100	219
10806205	116i-20	214	11502140	305i-V100	217	11605212	410i-120	219
10806210	116i-24	214	11502150	305i-V120	217	11605214	410i-140	219
10806605	120i-M20	214	11502160	305i-V140	217	11605614	415i-140	219
10806610	120i-M24	214	11502170	305i-V160	217	11605617	415i-170	219
12100705	165i-30	214	11502180	305i-V200	217	11605620	415i-200	219
12100710	165i-40	214	11504810	310i-60	218	11606106	420i-60	219
12100715	165i-50	214	11504825	310i-80S	218	11606108	420i-80	219
12100720	165i-60	214	11504835	310i-90S	218	11606110	420i-100	219
12100725	165i-80	214	11504845	310i-100S	218	11606112	420i-120	219
12100730	165i-100	214	11504850	310i-120	218	11606114	420i-140	219
12100735	165i-120	214	11504860	310i-140	218	11606417	425i-170	220
12100740	165i-150	214	11504870	310i-160	218	11606420	425i-200	220
10701520	195i-400	215	11504880	310i-200	218	11607709	440i-90	220
10701530	195i-500	215	11505140	315i-100	218	11608609	450i-90	220
10701540	195i-600	215	11505150	315i-120	218	11609618	456i-180	220
10701550	195i-700	215	11505160	315i-140	218	11610618	458i-180	220
10200108	197i	215	11505170	315i-160	218	11611618	460i-180	220
10701105	170i	215	11505180	315i-200	218	11612618	470i-180	221
10701610	200i-G	215	11513630	335i-V90	218	11613618	480i-180	221
11301310	230i-30	215	11513640	335i-V100	218	11614618	485i-180	221
11301315	230i-40	215	11513650	335i-V120	218	11618615	500i-150	221
11305605	250i-220	215	11514630	336i-90V	218	11700595	620i	221
11306105	255i-220	216	11514640	336i-100V	218	11002610	679i	221
11400610	260i-22x22	216	11514650	336i-120V	218	11912001	730i	222
11401105	262i-30x12	216	11515130	337i-90S	218	11904705	732i	222
11401905	264i	216	11515140	337i-100S	218	10131305	CGI-05P	222
10902505	270i-P	216	11515150	337i-120	218	10131200	CGI-40	222
10902510	270i-G	216	11515630	338i-90	218	11310305	CGI-25i	222
10204113	287i-G019-Sp2	216	11515640	338i-100	218	10207505	CGI-345P	222
10204114	287i-G019-Sp2	216	11515650	338i-120	218	10207507	CGI-345P	222
10201601	289i-P-015-Sp2	216	15400606	401i-6	219	10706005	CGI-346P	223
10201605	289i-G-019-Sp2	216	15400608	401i-8	219	10705305	CGI-347P	223
10201610	289i-G-019-Sp2	216	15400610	401i-10	219	10130705	CGI-348	223
10602105	291i	217	15400611	401i-11	219	10130305	CGI-350P	223
10201805	293i	217	15400612	401i-12	219	11400639	RG-30i P 2MT	223
10201810	293i	217	15400614	401i-14	219	11400634	RG-30i G 2MT	223
10602305	295i	217	11604206	402i-60	219	GEE000BXNIS00	EAGLE BOX-INOX	223
10601705	297i	217	11604208	402i-80	219			
11501410	300i-V60	217	11604210	402i-100	219			
11501420	300i-V80	217	11604212	402i-120	219			
11501430	300i-V90	217	11604214	402i-140	219			
11501440	300i-V100	217	11604614	405i-140	219			
11501450	300i-V120	217	11604617	405i-170	219			



M200B001XB009	2-0122-009	226
M200B001XB010	2-0122-010	226
M200B002XB009	2-0125-009	226
M200B002XB010	2-0125-010	226
N200C012XB009	2-0142-009	226
N200C012XB010	2-0142-010	226
N200C003XB009	2-0144-009	226
N200C003XB010	2-0144-010	226
N200D001XB009	2-0164-009	226
N200D001XB010	2-0164-010	226
N200D002XB009	2-0166-009	226
N200D002XB010	2-0166-010	226
N200D003XB009	2-0168-009	226
N200D003XB010	2-0168-010	226
N200E001XB009	2-0182-009	226
N200E001XB010	2-0182-010	226
N200E002XB009	2-0186-009	226
N200E002XB010	2-0186-010	226
N200D902XB010	2-0166E-010	226
M200C003XA604	2-0744-604	226
M200D010XA604	2-0762-604	226
M200D001XA604	2-0764-604	226
M200D006XA604	2-0765-604	226
M200D006XA503	2-0765-503	226
M200D002XA604	2-0766-604	226
M200E001XA503	2-0782-503	226
M200E002XA604	2-0786-604	226
M200E002XA503	2-0786-503	226
N210C003XB009	2-1143-009	226
N210C003XB010	2-1143-010	226
N210C002XB009	2-1147-009	226
N210C002XB010	2-1147-010	226
N210D001XB009	2-1163-009	226
N210D001XB010	2-1163-010	226
N210D002XB009	2-1165-009	226
N210D002XB010	2-1165-010	226
N210D003XB009	2-1167-009	226
N210D003XB010	2-1167-010	226
N210D902XB010	2-1165E-010	226

N210D903XB010	2-1167E-010	226
M210D001XA604	2-1763-604	226
M210D003XA604	2-1767-604	226
N220C001XB009	2-2146-009	227
N220C001XB010	2-2146-010	227
N220D001XB009	2-2164-009	227
N220D001XB010	2-2164-010	227
N220D002XB009	2-2166-009	227
N220D002XB010	2-2166-010	227
N220E001XB009	2-2182-009	227
N220E001XB010	2-2182-010	227
N220E002XB009	2-2186-009	227
N220E002XB010	2-2186-010	227
N220D902XB010	2-2166E-010	227
M220D005XA503	2-2762-503	227
M220D005XA604	2-2762-604	227
M220D001XA503	2-2764-503	227
M220D001XA604	2-2764-604	227
M220D002XA604	2-2766-604	227
M220D002XA503	2-2766-503	227
M220E001XA503	2-2782-503	227
M220E001XA604	2-2782-604	227
N260D001XB009	2-6165-009	227
N260D001XB010	2-6165-010	227
N260D002XB009	2-6167-009	227
N260D002XB010	2-6167-010	227
N260E001XB009	2-6183-009	227
N260E001XB010	2-6183-010	227
N260E002XB009	2-6185-009	227
N260E002XB010	2-6185-010	227
N260D902XB010	2-6167E-010	227
M260D001XA503	2-6765-503	227
M260D001XA604	2-6765-604	227
M260D002XA503	2-6767-503	227
M260D002XA604	2-6767-604	227
M260E001XA503	2-6783-503	227
M260E001XA604	2-6783-604	227
M260E002XA503	2-6785-503	227
M260E002XA604	2-6785-604	227
N270D001XB009	2-7163-009	227
N270D001XB010	2-7163-010	227
N270D002XB009	2-7165-009	227
N270D002XB010	2-7165-010	227
N270E002XB009	2-7185-009	227

N270E002XB010	2-7185-010	227
N270E003XB009	2-7188-009	227
N270E003XB010	2-7188-010	227
N270D902XB010	2-7165E-010	227
M270D001XA503	2-7763-503	227
M270D001XA604	2-7763-604	227
M270D002XA503	2-7765-503	227
M270D002XA604	2-7765-604	227
M270E003XA503	2-7788-503	227
M270E003XA604	2-7788-604	227
N280D002DB009	2-8166-009 DX	228
N280D002DB010	2-8166-010 DX	228
N280D002SB009	2-8166-009 SX	228
N280D002SB010	2-8166-010 SX	228
N280E002DB009	2-8186-009 DX	228
N280E002DB010	2-8186-010 DX	228
N280E002SB009	2-8186-009 SX	228
N280E002SB010	2-8186-010 SX	228
M280E002DA604	2-8786-604 DX	228
M280E002SA604	2-8786-604 SX	228
M280E002DA503	2-8786-503 DX	228
M280E002SA503	2-8786-503 SX	228
N290D001XB009	2-9165-009	228
N290D001XB010	2-9165-010	228
N290E001XB009	2-9185-009	228
N290E001XB010	2-9185-010	228
M290D001XA604	2-9765-604	228
M290D002XA604	2-9768-604	228
M290E002XA604	2-9788-604	228
N292D002XB009	2-9262-009	228
N292D002XB010	2-9262-010	228
N292D001XB009	2-9265-009	228
N292D001XB010	2-9265-010	228
N292E001XB009	2-9283-009	228
N292E001XB010	2-9283-010	228
M292D002XA604	2-9862-604	228
M292E001XA503	2-9883-503	228
M292E001XA604	2-9883-604	228
N300D001DB009	3-0166-009 DX	228
N300D001DB010	3-0166-010 DX	228
N300D001SB009	3-0166-009 SX	228
N300D001SB010	3-0166-010 SX	228
N400C002XB009	4-0042-009	229
N400C002XB010	4-0042-010	229

N400C001XB009	4-0048-009	229	N430E001XB009	4-3085-009	230	N711D902XB010	7-1176E-010	232
N400C001XB010	4-0048-010	229	N430E001XB010	4-3085-010	230	N711D903XB010	7-1186E-010	232
N400C0016XB009	4-0050-009	229	N440D001XB009	4-4062-009	230	N720C901XB010	7-2066E-010	232
N400C0016XB010	4-0050-010	229	N440D001XB010	4-4062-010	230	N720C902XB010	7-2076E-010	232
N400C007XB009	4-0052-009	229	N440D002XB009	4-4064-009	230	N720C903XB010	7-2086E-010	232
N400C007XB010	4-0052-010	229	N440D002XB010	4-4064-010	230	N721C901XB010	7-2166E-010	232
N400C069XB009	4-0054-009	229	N440E001XB009	4-4082-009	230	N721C902XB010	7-2176E-010	232
N400C069XB010	4-0054-010	229	N440E001XB010	4-4082-010	230	N721C903XB010	7-2186E-010	232
N400D002XB009	4-0064-009	229	N440E002XB009	4-4084-009	230	N730M901XB010	7-3066E-010	233
N400D002XB010	4-0064-010	229	N440E002XB010	4-4084-010	230	N730M902XB010	7-3076E-010	233
N400D003XB009	4-0066-009	229	N440E003XB009	4-4088-009	230	N730M903XB010	7-3086E-010	233
N400D003XB010	4-0066-010	229	N440E003XB010	4-4088-010	230	N731M901XB010	7-3166E-010	233
N400D004XB009	4-0068-009	229	N482C001XB010	4-8244-010	230	N731M902XB010	7-3176E-010	233
N400D004XB010	4-0068-010	229	M500B003XB010	5-0025-010	230	N731M903XB010	7-3186E-010	233
N400D028XB009	4-0061-009	229	N500C002XB010	5-0045-010	230	N800B003XB010	8-0048-010	233
N400D028XB010	4-0061-010	229	N500D004XB010	5-0065-010	230	N800B009XB010	8-0086-010	233
N400E001XB009	4-0082-009	229	N500E002XB010	5-0085-010	230	N810B003XB010	8-1048-010	233
N400E001XB010	4-0082-010	229	N520C001XB010	5-2046-010	231	N810B009XB010	8-1086-010	233
N400E002XB009	4-0085-009	229	N520D003XB010	5-2066-010	231	N815B003XB010	8-1548-010	233
N400E002XB010	4-0085-010	229	N520E003XB010	5-2086-010	231	N815B009XB010	8-1586-010	233
N400D901XB010	4-0062E-010	229	N530E001XB010	5-3085-010	231	N820B003XB010	8-2048-010	234
N400D902XB010	4-0064E-010	229	N540C001XB010	5-4043-010	231	N820B007XB010	8-2087-010	234
N400D903XB010	4-0066E-010	229	N540D003XB010	5-4062-010	231	N830B002XB010	8-3048-010	234
N400D928XB010	4-0070E-010	229	N540D001XB010	5-4065-010	231	N830B003XB010	8-3088-010	234
N411C001XB009	4-0142-009	229	N540D002XB010	5-4068-010	231	N900D003XB010	9-0048-010	234
N411C001XB010	4-0142-010	229	N540E001XB010	5-4082-010	231	N900D007XB010	9-0087-010	234
N411D001XB009	4-0164-009	229	N540E002XB010	5-4085-010	231	N910D003XB010	9-1048-010	234
N411D001XB010	4-0164-010	229	N540E003XB010	5-4088-010	231	N910D007XB010	9-1087-010	234
N411D002XB009	4-0166-009	229	N540D901XB010	5-4065E-010	231	N915D003XB010	9-1548-010	234
N411D002XB010	4-0166-010	229	N540D908XB010	5-4066E-010	231	N920D003XB010	9-2048-010	235
N411D003XB009	4-0168-009	229	N550D001XB010	5-5063-010	231	N920D007XB010	9-2087-010	235
N411D003XB010	4-0168-010	229	N700D002XB010	7-0064-010	232	N930D006XB010	9-3066-010	235
N411D004XB009	4-0161-009	229	N700D009XB010	7-0086-010	232	N930D010XB010	9-3089-010	235
N411D004XB010	4-0161-010	229	N710D001XB010	7-1036-010	232	N940D003XB010	9-4048-010	235
N411E002XB009	4-0185-009	229	N710D006XB010	7-1066-010	232	N940D007XB010	9-4087-010	235
N411E002XB010	4-0185-010	229	N710D002XB010	7-1076-010	232	N950D003XB010	9-5048-010	235
N411C901XB010	4-0142E-010	229	N710D010XB010	7-1067-010	232	N950D007XB010	9-5087-010	235
N411D901XB010	4-0164E-010	229	N710D901XB010	7-1036E-010	232	N960D003XB010	9-6048-010	235
N411D902XB010	4-0166E-010	229	N710D906XB010	7-1066E-010	232	N960D007XB010	9-6087-010	235
N411D903XB010	4-0168E-010	229	N710D902XB010	7-1076E-010	232	13063000 503	6-3085-503	236
N411D904XB010	4-0161E-010	229	N711D001XB010	7-1166-010	232	13064000 503	6-4065-503	236
N411E902XB010	4-0185E-010	229	N711D002XB010	7-1176-010	232	13064001 503	6-4085-503	236
N430D001XB009	4-3064-009	230	N711D003XB010	7-1186-010	232	13065001 512	6-5085-512	236
N430D001XB010	4-3064-010	230	N711D904XB010	7-1166E-010	232	13065001 503	6-5085-503	236
						13067000 503	6-7085-503	236

NHASMA001XB018	FIRENZE RQ - Pair of door handles with square rose	237	NHAOMT002XA602	MOSCA DK - Handle DK movement	238
NHASMT001XB018	FIRENZE DK - Handle DK movement	237	NHAOMT002XA009	MOSCA DK - Handle DK movement	238
NHACMA003XB010	BARCELLONA RT - Pair of door handles with round rose	237	NHAOMT002XA503	MOSCA DK - Handle DK movement	238
NHAOMA003XB010	BARCELLONA RO - Pair of door handles with oval rose	237	NHASPO005XB010	BERLINO Square knob, square base	238
NHAOMT003XB010	BARCELLONA DK - Handle DK movement	237	NHACPO005XB010	BERLINO Square knob, round base	238
NHACMA004XB010	PARIGI RT - Pair of door handles with round rose	237	NHACPO003XB010	BARCELLONA Spherical knob, round base	238
NHAOMA004XB010	PARIGI RO - Pair of door handles with oval rose	237	NHACPO004XB010	PARIGI Cylindrical knob, round base	238
NHAOMT004XB010	PARIGI DK - Handle DK movement	237	NHASFB005XB010	BERLINO - Thumb turn square knob	239
NHAOMS004XB010	PARIGI ALZANTE - Lift and slide handle	237	NHACFB003XB010	BARCELLONA - Thumb turn round knob	239
NHASMA005XB010	BERLINO RQ - Pair of door handles with square rose	238	NHACBB001XB010	Round nozzle yale keyhole	239
NHARMA005XB010	BERLINO RR - Pair of door handles with rectangular rose	238	NHACBB002XB010	Round nozzle patent keyhole	239
NHASMT005XB010	BERLINO DK - Handle DK movement	238	NHASBB001XB010	Square nozzle yale keyhole	239
NHARMS005XB010	BERLINO ALZANTE - Lift and slide handle	238	NHASBB002XB010	Square nozzle patent keyhole	239
NHACMA002XA009	MOSCA RT - Pair of door handles with round rose	238	NHARBB001XB010	Rectangular nozzle yale keyhole	239
NHACMA002XA009	MOSCA RO - Pair of door handles with oval rose	238	NHARBB002XB010	Rectangular nozzle patent keyhole	239
NHAOMT002XA512	MOSCA DK - Handle DK movement	238	NHAOBB001XB010	Oval nozzle yale keyhole	239
NHAOMT002XA603	MOSCA DK - Handle DK movement	238	NHAOBB002XB010	Oval nozzle patent keyhole	239

11111530	F0016	242	11128030	F1116	246	11100630	F7016	248
11103435	F0018	242	11108638	F1119	246	11102225	F7024B	248
11111030	F0026B	242	11108641	F1119W	246	11102226	F7024N	248
11111031	F0026N	242	11108637	F1120	246	11102230	F7026B	248
11102435	F0028B	242	11108640	F120W	246	11102231	F7026N	248
11102436	F0028N	242	11100021	F1200	246	11102235	F7028B	249
11112030	F0036	242	11100032	F1325L	247	11102236	F7028N	249
11116135	F0038	243	11100031	F1325S	247	11105220	F1032	249
11113030	F0046	243	11100042	F1330L	247	11104625	F7034	249
11108135	F0048	243	11100041	F1330S	247	11104630	F7036	249
11112530	F0056B	243	11100052	F1335L	247	11106625	F7044	249
11112531	F0056N	243	11100051	F1335S	247	11106630	F7046	249
11110135	F0058B	243	11100061	F1400	247	11108625	F7054B	250
11110136	F0058N	243	11100064	F1400E	247	11108626	F7054N	250
11129035	F0068	244	11100063	F1400W	247	11108630	F7056B	250
11100001	F1000	244	11100065	F1400WE	247	11108631	F7056N	250
11101620	F1012	244	11100071	F2000	247	11108632	F7056ANS	250
11107220	F1042	244	11100072	F2001	247	11108635	F7058B	250
11109620	F1052S	245	11100082	F3025L	248	11108636	F7058N	250
11109621	F1052L	245	11100081	F3025S	248	11108634	F7058ANS	250
11114025	F1084	245	11100092	F3030L	248	11150001	F2900	251
11114525	F1094	245	11100091	F3030S	248	11150002	F1900	251
11100011	F1100	245	11100102	F3035L	248	11150003	F1901	251
11128020	F1112	245	11100101	F3035S	248	11150004	F1902	251
11128025	F1114	246	11100625	F7014	248			

NOTES

A series of horizontal dotted lines for writing notes.

GENERAL TERMS OF SALE

1. GENERAL INFORMATION

1.1 This document is intended for customers (hereinafter "Customers") of FRATELLI COMUNELLO SPA (hereinafter simply COMUNELLO); its purpose is to inform customers about the contractual conditions that COMUNELLO shall apply in all the sales of its products (hereinafter GENERAL TERMS AND CONDITIONS OF SALE), unless otherwise agreed in writing, and which, in any case, are binding on and effective between the parties pursuant to art. 1341 of the Italian Civil Code.

1.2. COMUNELLO applies the Italian law in all contractual relationships involving the sale of its products, save for any specific derogations to be agreed and proved in writing.

1.3 The General Terms and Conditions of Sale listed here exclusively refer to products bearing the COMUNELLO trademark (hereinafter the "Products").

2. OFFERS – QUOTES

2.1 The offers made by COMUNELLO to its Customers are effective for a maximum period of 20 (twenty) days from their submission; in any case they will have to be formalized in writing, including by email.

2.2. Upon expiry of the aforementioned deadline, the offer made by COMUNELLO shall be deemed cancelled and not acceptable by the CUSTOMER, unless otherwise specifically agreed in writing between the contracting parties

3. ORDERS

3.1 Purchase orders signed by the Customers and addressed to Comunello must be confirmed using the specific form prepared by Comunello (order confirmation), which each Customer has to sign and return to Comunello, precisely specifying the quantity of the goods bought and any additional features of the requested products.

3.2 The purchase contract shall be considered finalized and binding on the parties by means of:

- confirmation of the purchase order by FRATELLI COMUNELLO SPA;
- physical execution of the purchase order by FRATELLI COMUNELLO SPA, provided it is in compliance with the contents of the sale entered into between the parties.

3.3 Any amendment or addition to the individual provisions of the General Terms and Conditions of Sale or to the purchase order shall be ineffective unless approved in writing by COMUNELLO SPA. In the event changes are made to the purchase order after sending the form specified in paragraph 3.1., they shall have no effect if in the meantime Comunello has accepted the order or has implemented it in part; in any event, Comunello reserves the right to cancel the original purchase order and to suspend performance of the current one, requesting damages.

3.4 The Product delivery date specified in the purchase orders is always indicative and any delay of up to 30 days with respect to such deadline shall never constitute grounds for the CUSTOMER to claim damages against Comunello or to terminate the contractual relationship.

More specifically, Comunello reserves the right to extend the delivery date due to unforeseeable circumstances or force majeure or in any case for circumstances that could not be foreseen at the time of the sale (for example, difficulty in procurement of raw materials and components); if prior to delivery, the CUSTOMER is in a difficult financial situation or changes its legal form, Comunello shall be entitled to suspend performance of, and possibly terminate the contract.

4. DELIVERY AND SHIPPING

4.1 The Products are delivered to the Customer at the production site or at the registered office of Comunello (hereinafter "Delivery").

4.2 If the Products are delivered Ex-works Rosà or Cassola (VI) Incoterms 2020, the risk is transferred upon delivery of the Products by FRATELLI COMUNELLO SPA to the Customer or to the carrier, the CUSTOMER being in charge of the transportation costs.

4.3 Unless otherwise agreed, FRATELLI COMUNELLO SPA shall establish, in the name and on behalf of the Customer, the type of shipment, the transport route and the carrier.

4.4 FRATELLI COMUNELLO SPA reserves the right to partially fulfil the purchase order or to partially deliver the products ordered. The Customer cannot raise any objection with regard to partial deliveries

and/or deliveries made by instalments. All Partial deliveries shall be invoiced individually and the payment time limits shall run from the date of each invoice. The payment of partial Deliveries may not be deferred until completion of all the Deliveries related to the original purchase order. The provisions of Article 4.1 shall also apply to partial deliveries.

5. PRICES AND PRICE LISTS

5.1 The price is as specified in the last Comunello price list for the products delivered to the Customer, including normal packaging and excluding shipping costs (hereinafter the "Price"). The last price list issued by FRATELLI COMUNELLO SPA cancels all previous price lists and, unless otherwise agreed, it shall be applicable to the sale.

6. PAYMENT

6.1 Payment of the Price has to be made within the time limit agreed between the contracting parties. Failure to pay the price within the agreed time limit shall result in the application of interest for late payment in commercial transactions, to the extent provided by Legislative Decree No. 231 of 9.10.2002 as amended and supplemented. Default interest shall run from the expiry of the payment due date, subject to COMUNELLO's right to seek compensation for any further damage.

6.2 The Customer may not make claims or raise objections against Comunello until the Price has been paid.

6.3 In the event of irregular payments, Comunello reserves the right to suspend the performance of all purchase orders, including those not affected by the delay or default by the CUSTOMER, without notice and with no right to compensation for the CUSTOMER.

7. RETURNS AND COMPLAINTS

7.1 Any complaints referring to either the quantity or the quality of the delivered Products must be made in writing within 8 (eight) days from receipt of the Products.

7.2 The Products returned shall be accepted by FRATELLI COMUNELLO SPA only after written agreement and exclusively with regard to new Products with their original packaging.

7.3 The Products must be returned using the appropriate transport document specifying the written permission of FRATELLI COMUNELLO SPA as well as the quantity and quality of the Products.

7.4 Returns shall not be considered accepted by FRATELLI COMUNELLO SPA unless they are returned in the manner specified above and, specifically, taking delivery of the Products at the headquarters or at the warehouses of FRATELLI COMUNELLO SPA may not be construed as acceptance of the returns.

7.5 The amount credited for returns not due to causes attributable to FRATELLI COMUNELLO SPA, shall be subject to a 30% deduction, to be regarded as a flat-rate assessment of the damage (penalty clause), charged to the Customer on account of the general, shipping, goods deterioration, age etc. costs incurred by COMUNELLO.

8. WARRANTY

8.1 In business relationships or in case of products sold for professional use, this warranty is limited to the repair or replacement of product parts that FRATELLI COMUNELLO SPA acknowledges as defective, through equivalent re-manufactured Products (the "Conventional Warranty"); the warranty does not include the costs necessary for repairing or replacing the material (e.g. labour costs, rental of equipment etc) .-

8.2 The provisions contained in articles 1490 to 1495 of the Italian Civil Code shall not apply.

8.3 FRATELLI COMUNELLO SPA warrants the proper operation of the products within the limits indicated in 8.1 above. Unless otherwise agreed, the validity of the Conventional Warranty is 24 (twenty four) months from the production date, which can be found on the products. For actuators of the Showin line the warranty is 60 (sixty) months from the production date, while for the remaining products of the Automation Frame Line the warranty is 36 (thirty six) months from the production date. The Warranty shall be effective and binding on COMUNELLO only if the product has been correctly installed and maintained in accordance with the installation and safety rules set out in the documentation provided by COMUNELLO or otherwise available on the website www.comunello.com

8.4 The warranty does not cover: failures or damage caused by transport; failures or damage caused by defects in the electrical system of the buyer and/or by carelessness, negligence, inadequate or abnormal use of such system; failure or damage due to tampering carried out by unauthorized personnel or due to incorrect use / installation (in this regard, system maintenance at least every six months is recommended) or the use of non-original spare parts; defects caused by chemical agents and/or atmospheric phenomena. The warranty does not cover the cost of consumables; in any event, COMUNELLO shall be entitled to a consideration for the work performed at the Customer, where such work proves useless as the warranty did not apply or because the customer had used the Comunello product in a negligent, reckless or incompetent manner, such that the proper use of the product could have avoided the work.

8.5 Implementation terms: unless otherwise agreed, the right to the Conventional Warranty is exercised by showing a copy of the purchase document (invoice) to COMUNELLO. Any defect must be notified to COMUNELLO within the time limit of thirty (30) days from detection of the defect.

The action must be exercised within the limitation period of 6 (six) months from detection of the defect. The Product parts for which the Customer requests application of the Conventional Warranty must be returned by the Customer to FRATELLI COMUNELLO SPA, Via Cassola 64, 36027 Rosà (VI) Italy.

8.6 The Customer cannot claim compensation for indirect damage, loss of profits, loss of production and in any case it cannot claim compensation for an amount that exceeds the value of the supplied components or products. All transport costs for Products that have been repaired or to be repaired, although covered by the Conventional Warranty, shall be charged to the Customer.

8.7 No external work carried out by Comunello technical staff is covered by the Conventional Warranty.

8.8 Specific amendments to the Conventional Warranty conditions described herein can be defined by the parties in their commercial contracts.

9. REPAIRS AFTER EXPIRATION OF THE WARRANTY

9.1 The Product repairs requested by the Customer shall be carried out by FRATELLI COMUNELLO SPA, subject to prior agreement on the cost of the work. In any case, labour and transport costs (return) shall be charged to the customer.

10. RESERVATION OF TITLE

10.1 The Products delivered to the CUSTOMER shall continue to be the property of FRATELLI COMUNELLO SPA until full payment of the Price by the Customer, regardless of who has possession of the Products. Transport costs and other costs necessary to recover the Products as well as extraordinary expenses and those that can be recovered, shall be charged to the Customer.

11. PATENTS, TRADEMARKS AND DISTINCTIVE MARKS

11.1 The Customer is aware that the Products are covered by patents and incorporate know-how and design that are the exclusive property of FRATELLI COMUNELLO SPA, pursuant to the Italian Industrial Property Code.

11.2 The Customer is expressly forbidden from infringing such FRATELLI COMUNELLO SPA's rights; in any case, the Customer may not in any way remove, delete or otherwise alter the trademarks or other signs or distinctive marks of any kind affixed to Products; the Customer is likewise forbidden from affixing new ones of any kind. Any form of reproduction or use of the FRATELLI COMUNELLO SPA trademark and of any other distinctive mark on the Products is forbidden, without written authorization by FRATELLI COMUNELLO SPA.

12. EXPRESS TERMINATION CLAUSE

12.1 Pursuant to article 1456 of the Italian Civil Code, any delay of more than ten days in the payment, or any non-payment of the Price, including partial, by the Client, as provided for in Article 6 of these General Terms and Conditions of Sale, shall result in termination of the purchase contract and FRATELLI COMUNELLO SPA shall be entitled to seek compensation from the Customer for the damage suffered, in addition to restitution of the Products not paid by the Customer.

12.2 The notice referred to in the previous paragraph shall be sent by registered mail with return receipt or via certified email address (Pec).

13. AGREEMENT BETWEEN THE PARTIES

13.1 Any agreements, existing or that will take place between FRATELLI COMUNELLO SPA and the Customer, in relation to returns and payment methods, shall prevail over the provisions of these General Terms and Conditions of Sale.

14. APPLICABLE LAW AND JURISDICTION

14.1 The purchase contracts entered into in accordance with the General Terms and Conditions of Sale are subject to Italian law only, with the exclusion of any other legislation.

14.2 All disputes that may arise on the mentioned purchase contracts shall be subject to Italian jurisdiction and referred to the exclusive competence of the Court of Vicenza, including if the agreed payment method is by bank collection order or draft payable at the customer's. (Italy). The content of this catalogue is subject to change at any time and without notice by FRATELLI COMUNELLO SPA.



Le immagini, i disegni tecnici e le relative specifiche appartengono a Fratelli Comunello SpA e sono protetti dalle leggi sul copyright. Ogni utilizzo non espressamente autorizzato sarà perseguito legalmente. Le specifiche dei prodotti sono soggette a cambiamenti senza preavviso. Possono essere richiesti su specifiche del cliente articoli con altre misure oppure a disegno. Foto immagini e disegni sono puramente indicativi. Fratelli Comunello SpA si riserva il diritto di apportare qualsiasi tipo di variazione, anche senza preavviso, al fine di aggiornare e migliorare il catalogo in qualsiasi momento. Fratelli Comunello SpA non risponde per eventuali errori tipografici o descrizioni errate di prodotti e caratteristiche tecniche.

All images, technical drawings and specifications are the exclusive property of Fratelli Comunello SpA and are protected by International Copyright laws. Any unauthorised use will result in legal proceedings. Fratelli Comunello SpA reserves the right to alter technical specifications at any time without notice. Clients may request bespoke products of different sizes and/or based on customised designs. All photographs and other images shown are for informational purposes only. Fratelli Comunello SpA reserves the right to make any kind of alteration, at any time and without prior notice so as to update and improve the catalogue. Fratelli Comunello SpA is not liable for any errors or other mistakes in the technical descriptions and technical characteristics of the products shown.

HELP DESK **+39 0424 585 111**

CONSULENZA TECNICA IN CANTIERE
PROFESSIONAL ON-SITE TECHNICAL SERVICE

TECHNICAL INFORMATION
www.comunello.com

FRATELLI COMUNELLO S.P.A.


Via Cassola, 64 - C.P. 79

36027 Rosà, Vicenza, Italy

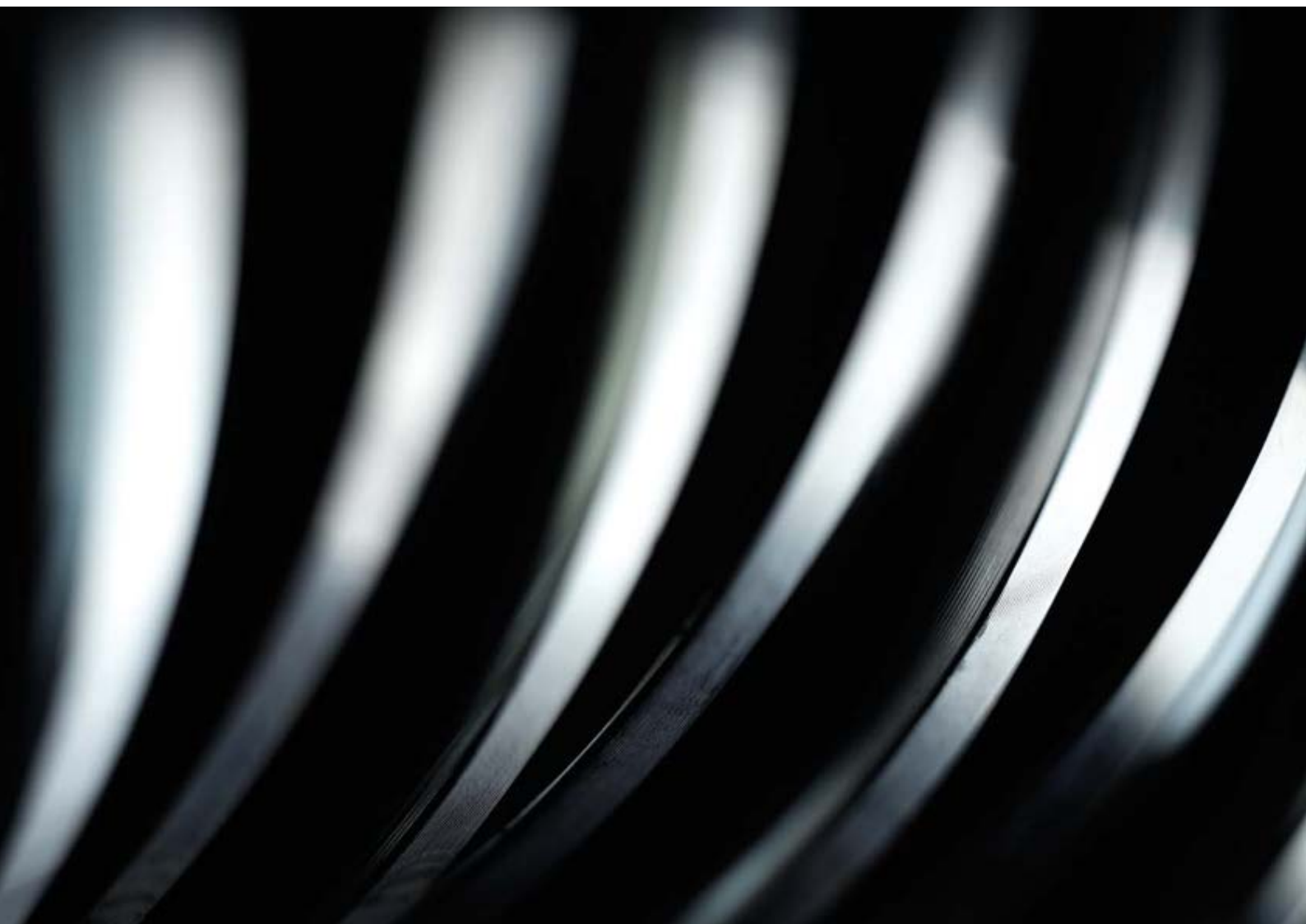
Tel. +39 0424 585111 Fax +39 0424 533417

info@comunello.it www.comunello.com





Life
made
easy



FRATELLI COMUNELLO S.P.A.

Part of the Comunello Group

Via Cassola, 64 - C.P. 79

36027 Rosà, Vicenza, Italy

Tel. +39 0424 585111 Fax +39 0424 533417

info@comunello.it

www.comunello.com