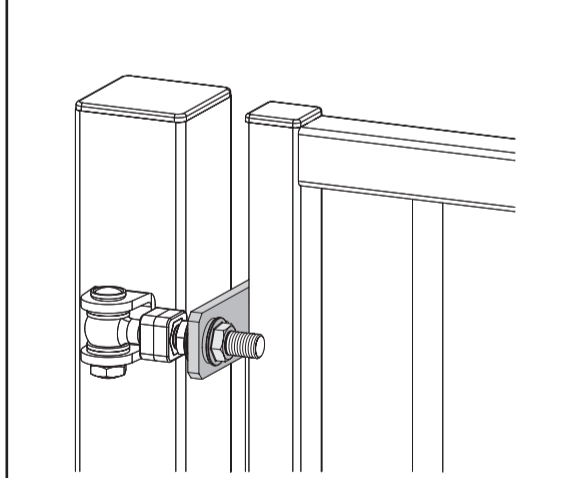
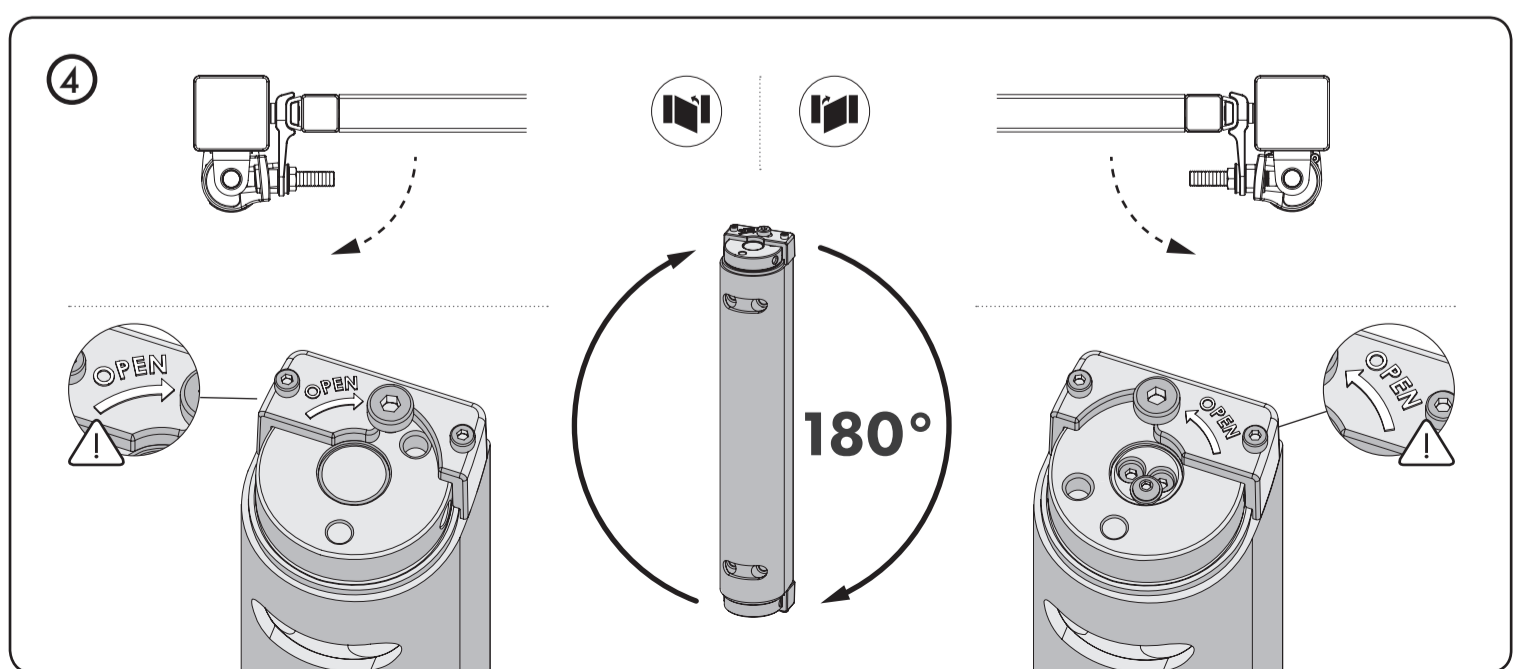
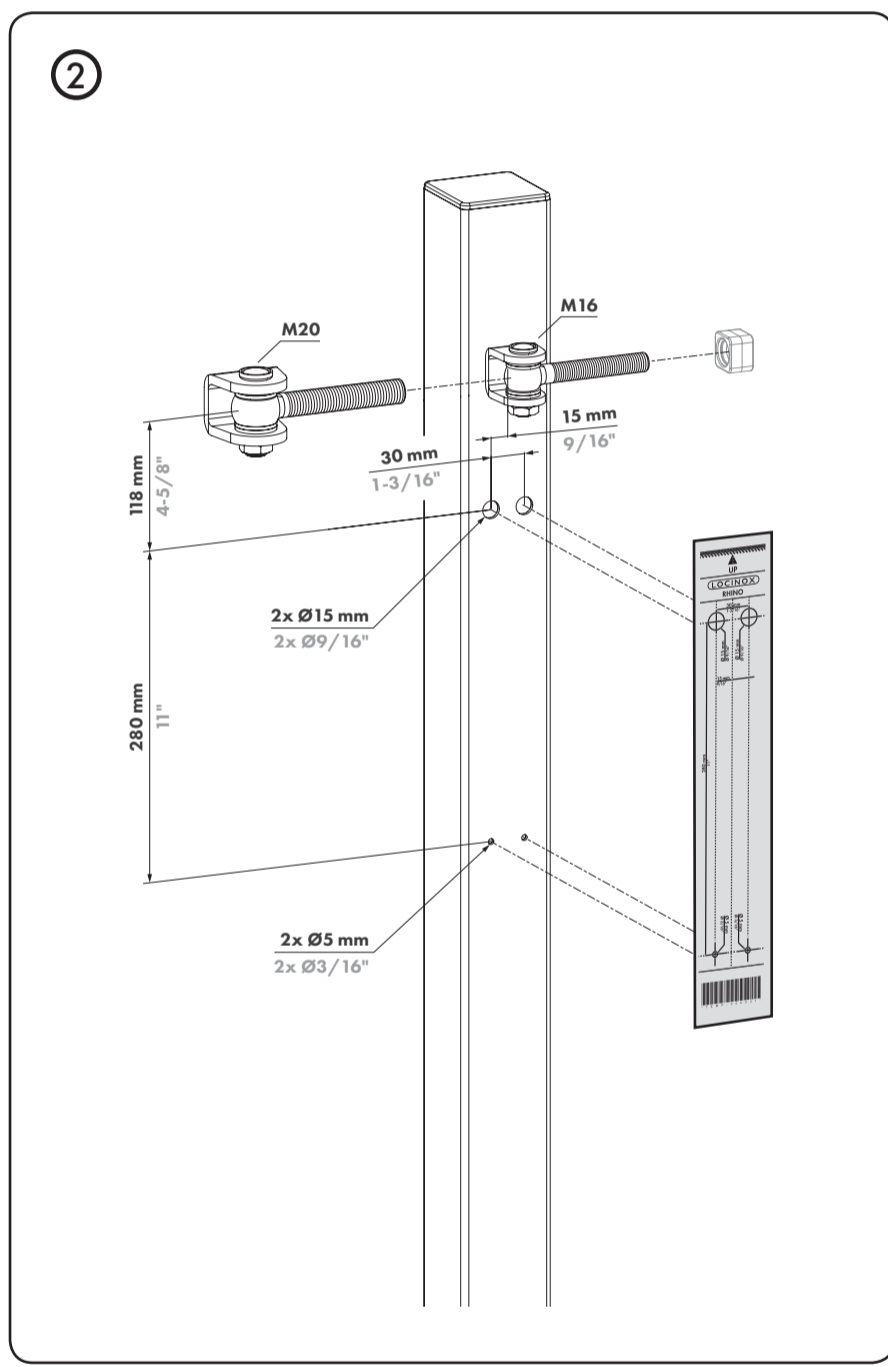
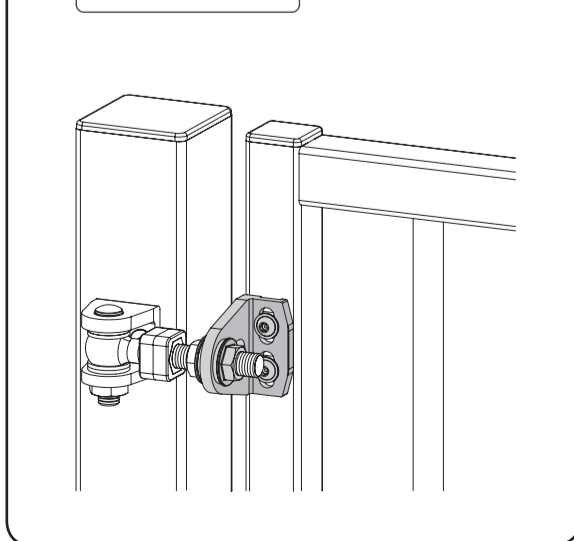
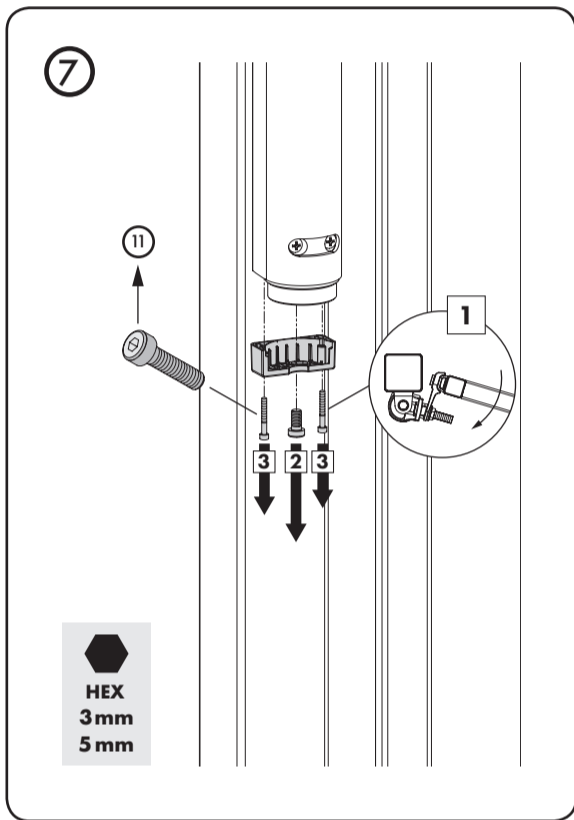
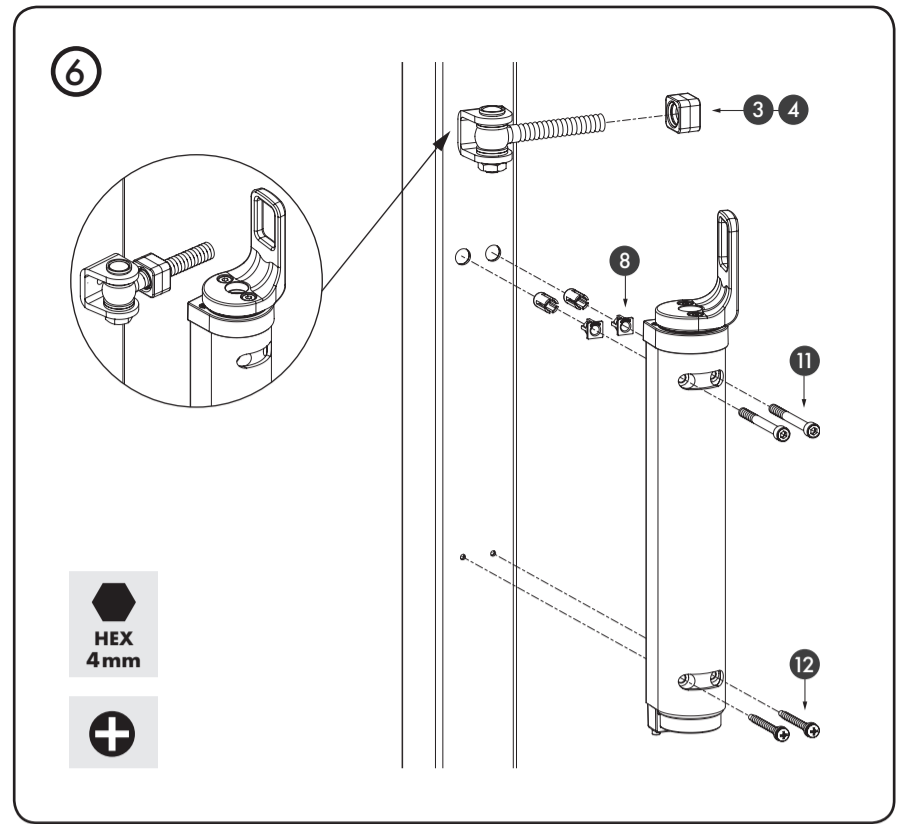
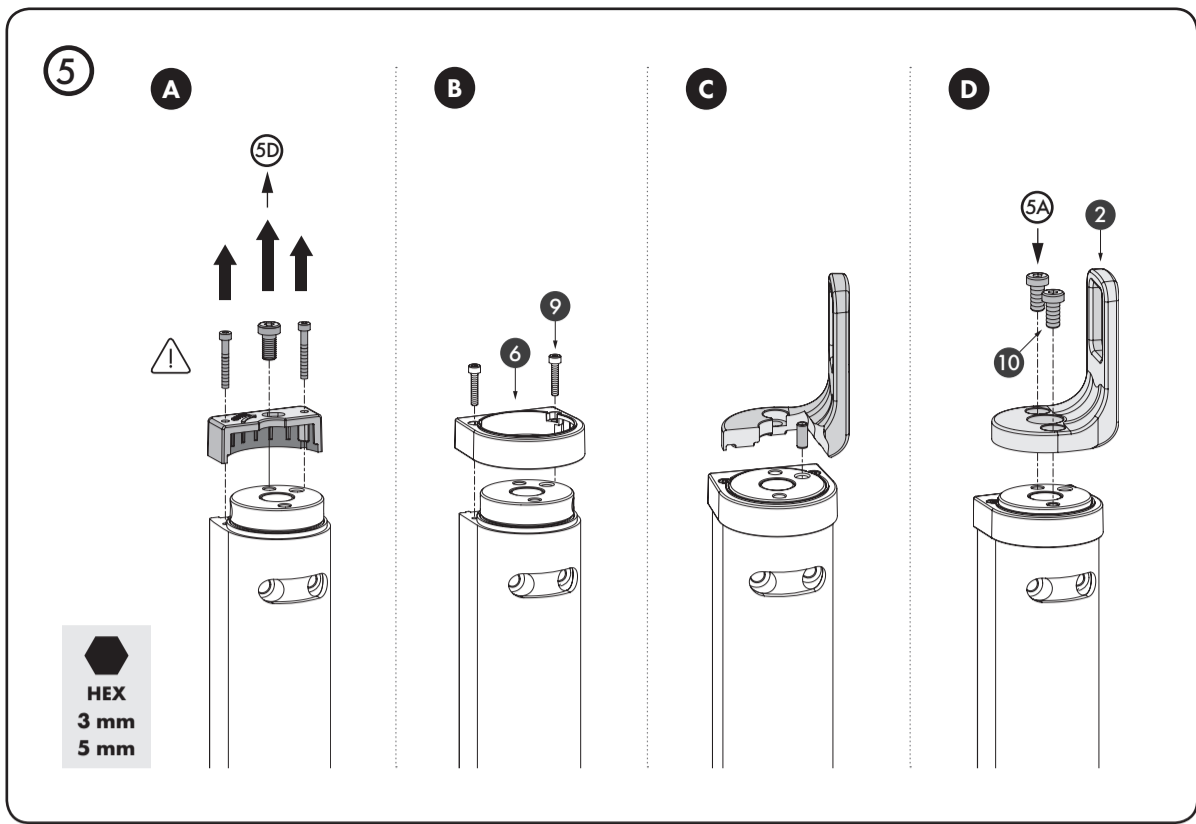


Groove plate



BOLTON4D





8

	mm	inch	mm	inch
4D M16	$42 < X < 52,5$ mm	$1-5/8" < X < 2-1/16"$	$X \geq 52,5$ mm	$X \geq 2-1/16"$
1034ROLL-HDG-M16	$43 < X < 53$ mm	$1-11/16" < X < 2-1/16"$	$X \geq 53$ mm	$X \geq 2-1/16"$
4D M20	$46 < X < 62$ mm	$1-13/16" < X < 2-7/16"$	$X \geq 62$ mm	$X \geq 2-7/16"$
1034ROLL-HDG-M20	$49 < X < 65$ mm	$1-15/16" < X < 2-9/16"$	$X \geq 65$ mm	$X \geq 2-9/16"$

