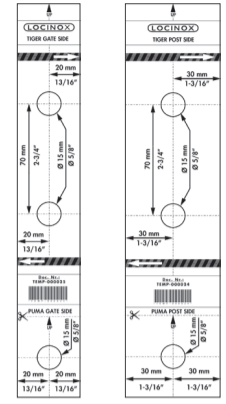
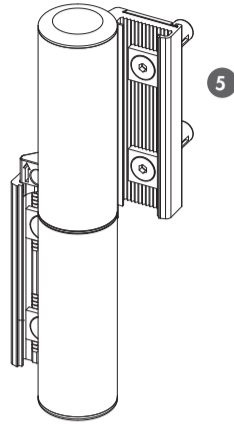
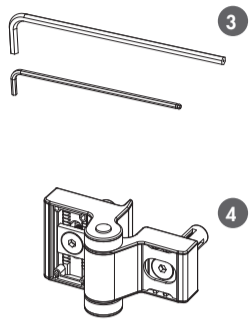
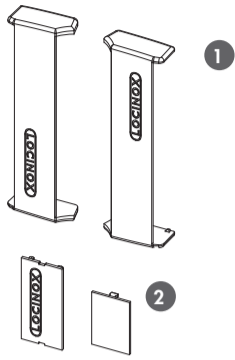


TIGER: INSTALLATION INSTRUCTION

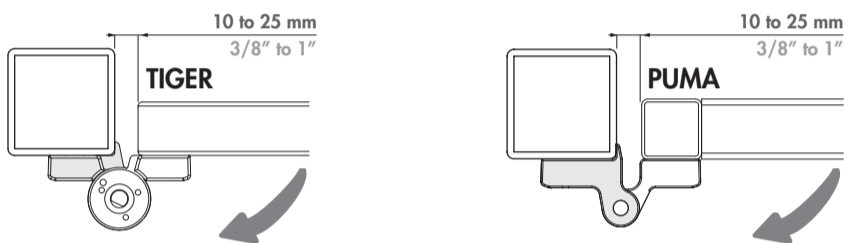
① Package content



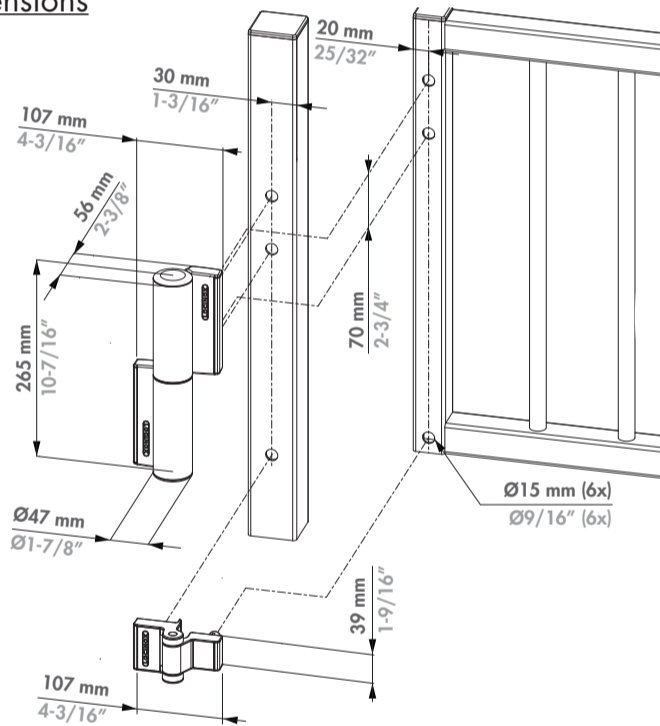
1	Tiger cover shields
2	Puma cover shields
3	Allen Keys (3 and 5 mm)
4	Puma hinge
5	Tiger gatecloser
6	Drilling Templates

LEFT TURNING GATE

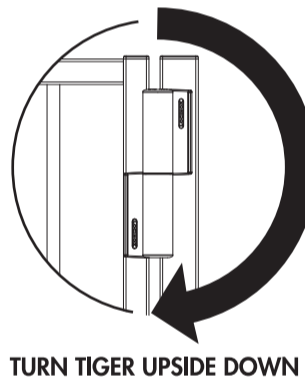
② Mounting Situation



③ Dimensions



RIGHT HAND TURNING GATE

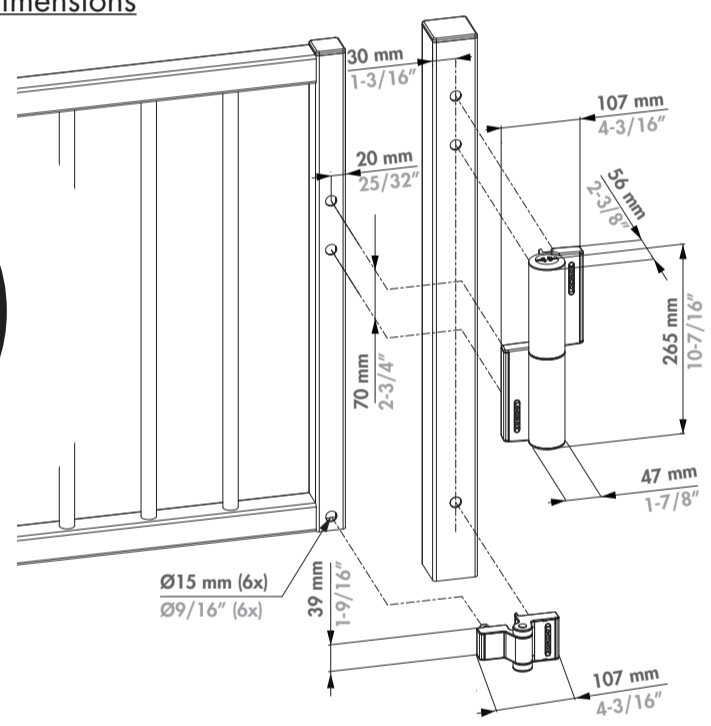


RIGHT TURNING GATE

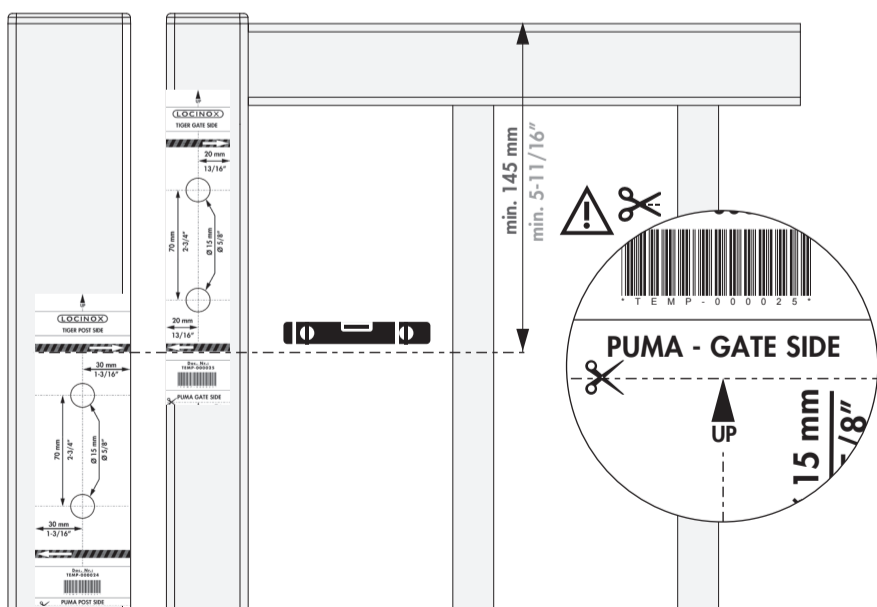
② Mounting Situation



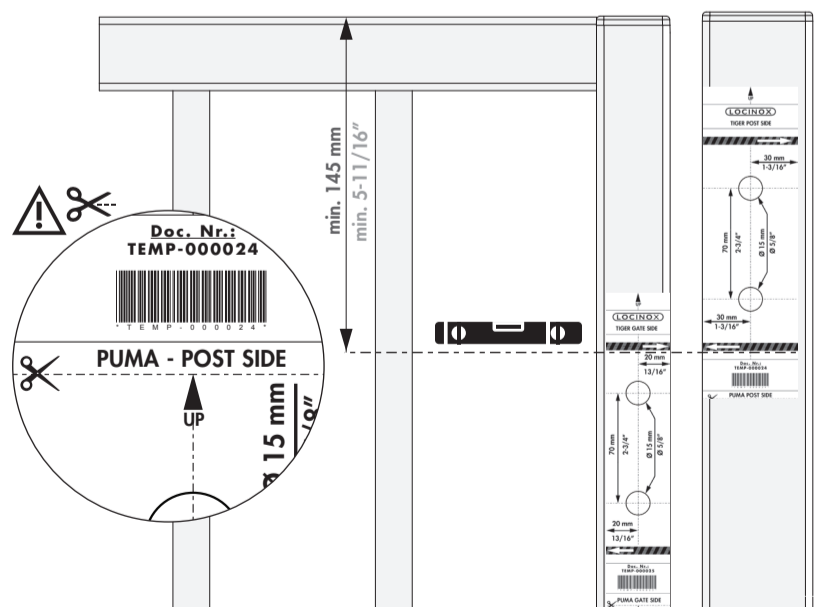
③ Dimensions



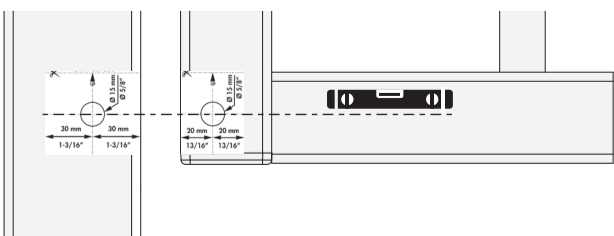
④ Profile and gate preparation for TIGER gatecloser



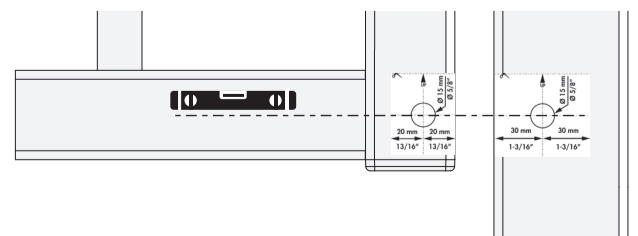
④ Profile and gate preparation for TIGER gatecloser



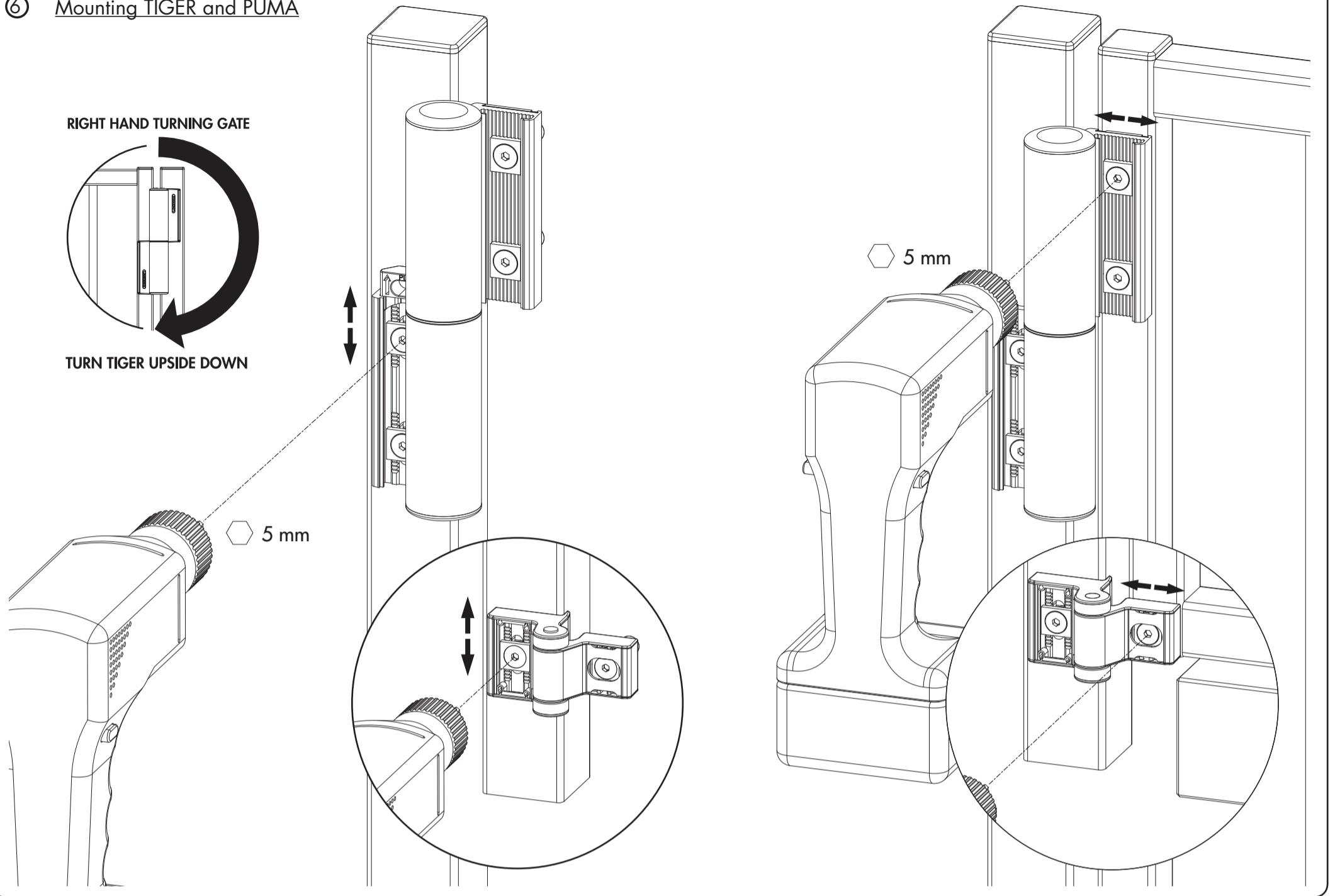
⑤ Profile and gate preparation for PUMA hinge



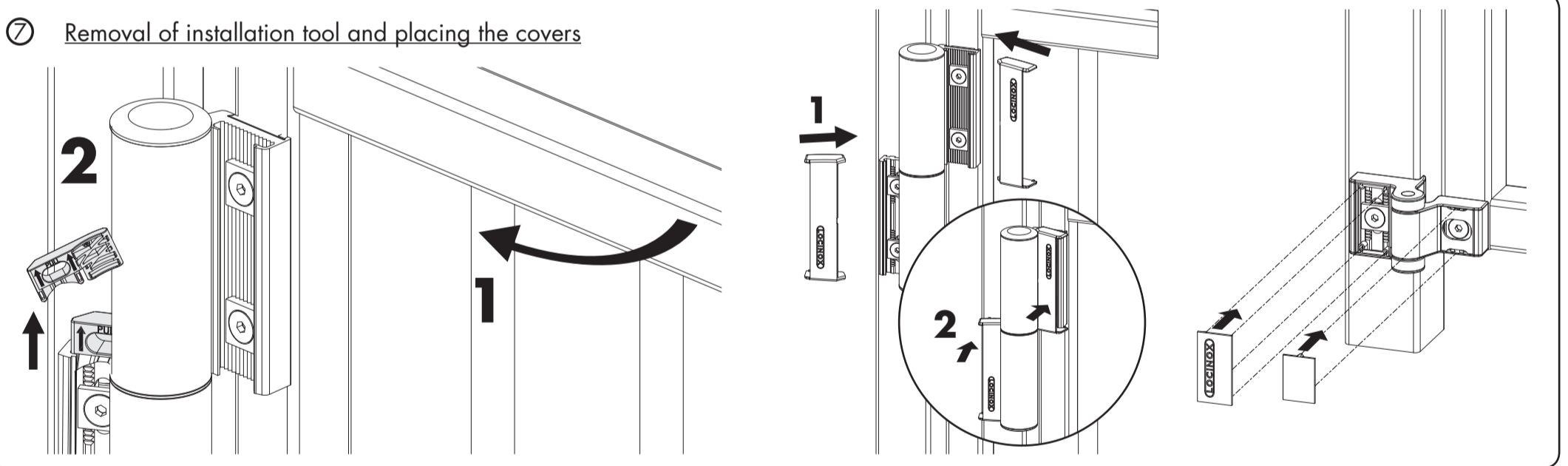
⑤ Profile and gate preparation for PUMA hinge



⑥ Mounting TIGER and PUMA



⑦ Removal of installation tool and placing the covers



⑧ Adjusting

